



SMA Male Right Angle Connector Clamp/
Solder Attachment for RG174, RG316, RG188,
0.100 inch, PE-B100, PE-C100, LMR-100

RF Connectors
Technical Data Sheet

PE4028

Configuration

- SMA Male Connector
- MIL-C-39012
- 50 Ohms
- Right Angle Body Geometry
- Connector Interface Types: RG174, RG316, RG188, .100 inch, PE-B100, PE-C100, LMR-100
- 5/16 inch Hex

Features

- Max. Operating Frequency 12.4 GHz
- Good VSWR of 1.53:1
- Gold over Nickel Plated Brass Contact
- 30 µin minimum contact plating

Applications

- General Purpose Test
- Custom Cable Assemblies

Description

Pasternack's PE4028 SMA male right angle connector with clamp/solder attachment for RG174, RG316, RG188, .100 inch, PE-B100, PE-C100 and LMR-100 is part of our full line of RF components available for same-day shipping. Our SMA male connector operates up to a maximum frequency of 12.4 GHz and offers good VSWR of 1.53:1. Its right angle body geometry allows for easier connections in tight spaces.

Our SMA male right angle connector PE4028 datasheet specifications and drawing with dimensions are shown below in this PDF. Pasternack's broad catalog of RF, microwave and millimeter wave connectors allows designers to configure and customize their signal connections however they like. Whether the need is to provide an I/O for a board design, or simply create a custom cable assembly configuration, Pasternack has the right connector for the job. Pasternack can also expertly build your custom cable assemblies for you and ship same-day.

Electrical Specifications

| Description | Minimum | Typical | Maximum | Units |
|--|---------|---------|---------|-------|
| Frequency Range | DC | | 12.4 | GHz |
| VSWR | | | 1.53:1 | |
| Operating Voltage (AC) | | | 250 | Vrms |
| Dielectric Withstanding Voltage (AC) | | | 750 | Vrms |
| High Potential Voltage at 4 and 7 MHz | | | 500 | Vrms |
| Corona Discharge at 70,000 feet | | | 190 | Vrms |
| Insulation Resistance | 5,000 | | | MOhms |

Click the following link (or enter part number in "SEARCH" on website) to obtain additional part information including price, inventory and certifications: [SMA Male Right Angle Connector Clamp/Solder Attachment for RG174, RG316, RG188, 0.100 inch, PE-B100, PE-C100, LMR-100 PE4028](#)



SMA Male Right Angle Connector Clamp/
 Solder Attachment for RG174, RG316, RG188,
 0.100 inch, PE-B100, PE-C100, LMR-100

RF Connectors
 Technical Data Sheet

PE4028

Electrical Specification Notes:
 Insertion loss = 0.15 x sqrt(fGHz) dB up to 6 GHz.
 RF leakage: 60 dB min at 2.5 GHz.

Mechanical Specifications

| | |
|---------------|---------------------------------|
| Size | |
| Length | 0.664 in [16.87 mm] |
| Width/Dia. | 0.312 in [7.92 mm] |
| Height | 0.574 in [14.58 mm] |
| Weight | 0.013 lbs [5.9 g] |
| Mating Cycles | 500 Cycles |
| Mating Torque | 3 to 5 in-lbs [0.34 to 0.57 Nm] |

Material Specifications

| Description | Material | Plating |
|--------------|----------|------------------------------------|
| Contact | Brass | Gold over Nickel 30 µin minimum |
| Insulation | PTFE | |
| Body | Brass | Nickel 100 µin minimum |
| Coupling Nut | Brass | Nickel 100 µin minimum |

Environmental Specifications

| | |
|--------------------|--------------------------------------|
| Temperature | |
| Operating Range | -65 to +165 deg C |
| Humidity | MIL-STD-202, Method 106 |
| Shock | MIL-STD-202, Method 213, Condition I |
| Vibration | MIL-STD-202, Method 204, Condition D |
| Thermal Shock | MIL-STD-202, Method 107, Condition B |
| Salt Spray | MIL-STD-202, Method 101, Condition B |

Compliance Certifications (see [product page](#) for current document)

Plotted and Other Data

Notes:

Click the following link (or enter part number in "SEARCH" on website) to obtain additional part information including price, inventory and certifications: [SMA Male Right Angle Connector Clamp/Solder Attachment for RG174, RG316, RG188, 0.100 inch, PE-B100, PE-C100, LMR-100 PE4028](#)



SMA Male Right Angle Connector Clamp/
Solder Attachment for RG174, RG316, RG188,
0.100 inch, PE-B100, PE-C100, LMR-100

RF Connectors
Technical Data Sheet

PE4028

SMA Male Right Angle Connector Clamp/Solder Attachment for RG174, RG316, RG188, 0.100 inch, PE-B100, PE-C100, LMR-100 from Pasternack Enterprises has same day shipment for domestic and International orders. Our RF, microwave and millimeter wave products maintain a 99.4% availability and are part of the broadest selection in the industry.

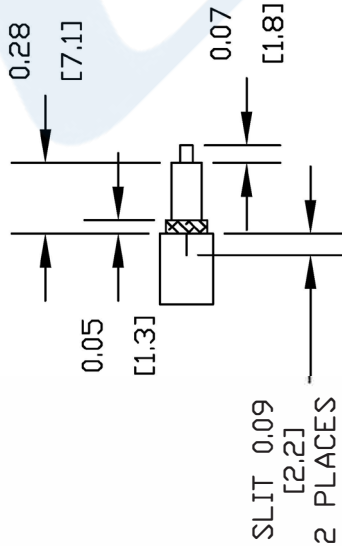
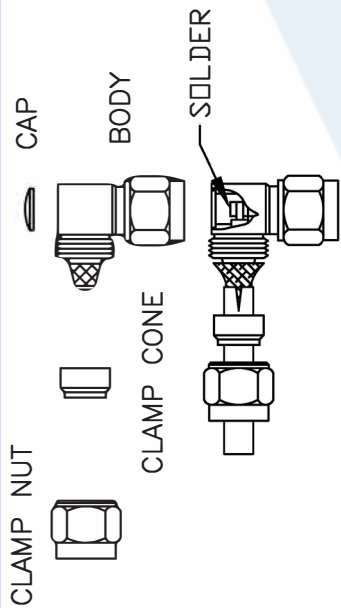
Click the following link (or enter part number in "SEARCH" on website) to obtain additional part information including price, inventory and certifications: [SMA Male Right Angle Connector Clamp/Solder Attachment for RG174, RG316, RG188, 0.100 inch, PE-B100, PE-C100, LMR-100 PE4028](https://www.pasternack.com/sma-male-standard-rg316-rg174-rg188-connector-pe4028-p.aspx)

URL: <https://www.pasternack.com/sma-male-standard-rg316-rg174-rg188-connector-pe4028-p.aspx>

The information contained in this document is accurate to the best of our knowledge and representative of the part described herein. It may be necessary to make modifications to the part and/or the documentation of the part, in order to implement improvements. Pasternack reserves the right to make such changes as required. Unless otherwise stated, all specifications are nominal. Pasternack does not make any representation or warranty regarding the suitability of the part described herein for any particular purpose, and Pasternack does not assume any liability arising out of the use of any part or documentation.

PE4028 CAD Drawing

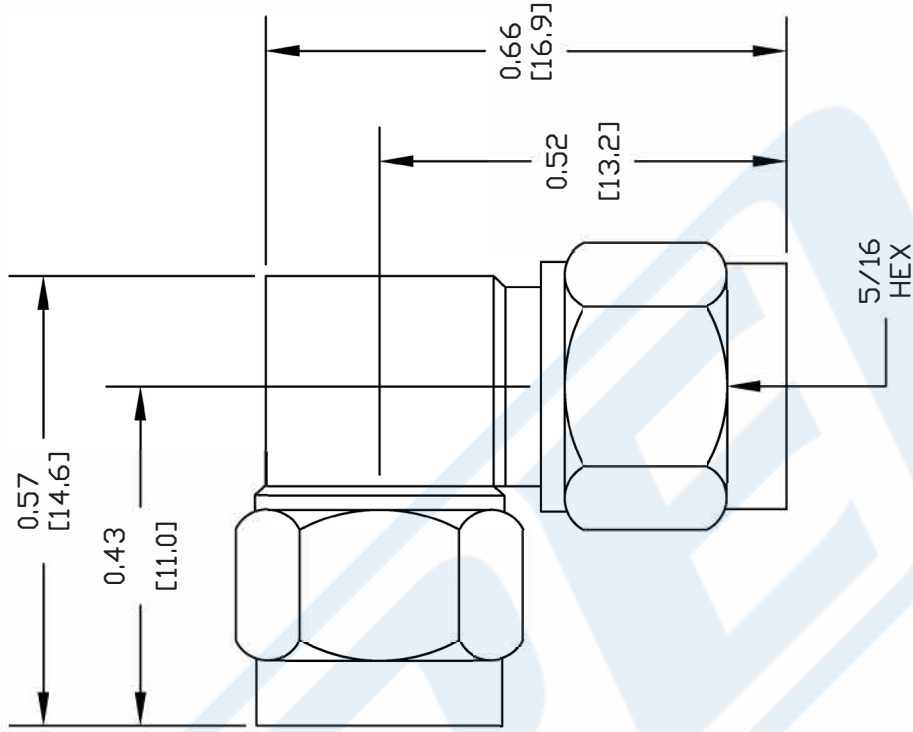
SMA Male Right Angle Connector Clamp/Solder Attachment for RG174, RG316, RG188, 0.100 inch, PE-B100, PE-C100, LMR-100



STRIPPING DIMENSIONS

ASSEMBLY PROCEDURES

1. STRIP CABLE TO DIMENSIONS SHOWN. DO NOT NICK BRAID OR CENTER CONDUCTOR. SLIDE CLAMP NUT AND CLAMP CONE ONTO CABLE AS SHOWN. CLAMP CONE MUST BE ORIENTED AS SHOWN.
2. FLARE BRAID AND SLIDE CABLE INTO BODY MAKING CERTAIN THAT THE CABLE INSULATION BOTTOMS ON CENTER CONTACT. STEPPED DOWN DIAMETER OF STEM MUST SLIDE UNDER BRAID AND JACKET. ARRANGE BRAID UNIFORMLY AROUND CRIMP STEM. SLIDE CLAMP NUT AGAINST CLAMP CONE AND BRAID AND TIGHTEN WITH 10 IN-LBS TORQUE.
3. SOLDER CENTER CONDUCTOR TO CONTACT THROUGH THE REAR ACCESS PORT. USE A MINIMUM AMOUNT OF SOLDER FOR A FULL FILLET JOINT. PRESS CAP DOWN.



- NOTES:**
1. UNLESS OTHERWISE SPECIFIED ALL DIMENSIONS ARE NOMINAL.
 2. ALL SPECIFICATIONS ARE SUBJECT TO CHANGE WITHOUT NOTICE AT ANY TIME.
 3. DIMENSIONS ARE IN INCHES [mm].
 4. FITS MIL-C-17 AND EQUIVALENT CABLES.

PE4028

REV. A

FSCM NO. 53919

CAD FILE 021508

SCALE N/A

SIZE A

127



Pasternack Enterprises, Inc.
 P.O. Box 16759 | Irvine | CA | 92623
 Phone: (949) 261-1920 | Fax: (949) 261-7451
 Website: www.pasternack.com | E-Mail: sales@pasternack.com