



# SMA Male Connector Clamp/Solder Attachment for PE-P195, PE-C195, RG58, RG141, RG303, 0.195 inch, LMR-195

## RF Connectors Technical Data Sheet

PE4085

### Configuration

- SMA Male Connector
- MIL-STD-348
- 50 Ohms
- Straight Body Geometry
- PE-P195, PE-C195, RG58, RG141, RG303, 0.195 inch, LMR-195 Interface Type
- Clamp/Solder Attachment
- 5/16 inch Hex

### Features

- Gold Plated Brass Contact
- Contact plating according to MIL-G-45204

### Applications

- General Purpose Test
- Custom Cable Assemblies

### Description

Pasternack's PE4085 SMA male connector with clamp/solder attachment for PE-P195, PE-C195, RG58, RG141, RG303, 0.195 inch and LMR-195 is part of our full line of RF components available for same-day shipping.

Our SMA male connector PE4085 datasheet specifications and drawing with dimensions are shown below in this PDF. Pasternack's broad catalog of RF, microwave and millimeter wave connectors allows designers to configure and customize their signal connections however they like. Whether the need is to provide an I/O for a board design, or simply create a custom cable assembly configuration, Pasternack has the right connector for the job. Pasternack can also expertly build your custom cable assemblies for you and ship same-day.

### Mechanical Specifications

#### Size

Length	1.34 in [34.04 mm]
Width/Dia.	0.375 in [9.53 mm]
Weight	0.02 lbs [9.07 g]
Mating Torque	7 to 10 in-lbs [0.79 to 1.13 Nm]

#### Material Specifications

Description	Material	Plating
Contact	Brass	Gold MIL-G-45204
Insulation	PTFE	
Body	Passivated Stainless Steel	QQ-P-35
Crimp Sleeve	Brass	Nickel

Click the following link (or enter part number in "SEARCH" on website) to obtain additional part information including price, inventory and certifications: [SMA Male Connector Clamp/Solder Attachment for PE-P195, PE-C195, RG58, RG141, RG303, 0.195 inch, LMR-195 PE4085](#)



SMA Male Connector Clamp/Solder Attachment for PE-P195,  
PE-C195, RG58, RG141, RG303, 0.195 inch, LMR-195

## RF Connectors Technical Data Sheet

PE4085

### Environmental Specifications

#### Temperature

Operating Range

-65 to +165 deg C

**Compliance Certifications** (see [product page](#) for current document)

### Plotted and Other Data

Notes:

SMA Male Connector Clamp/Solder Attachment for PE-P195, PE-C195, RG58, RG141, RG303, 0.195 inch, LMR-195 from Pasternack Enterprises has same day shipment for domestic and International orders. Our RF, microwave and millimeter wave products maintain a 99% availability and are part of the broadest selection in the industry.

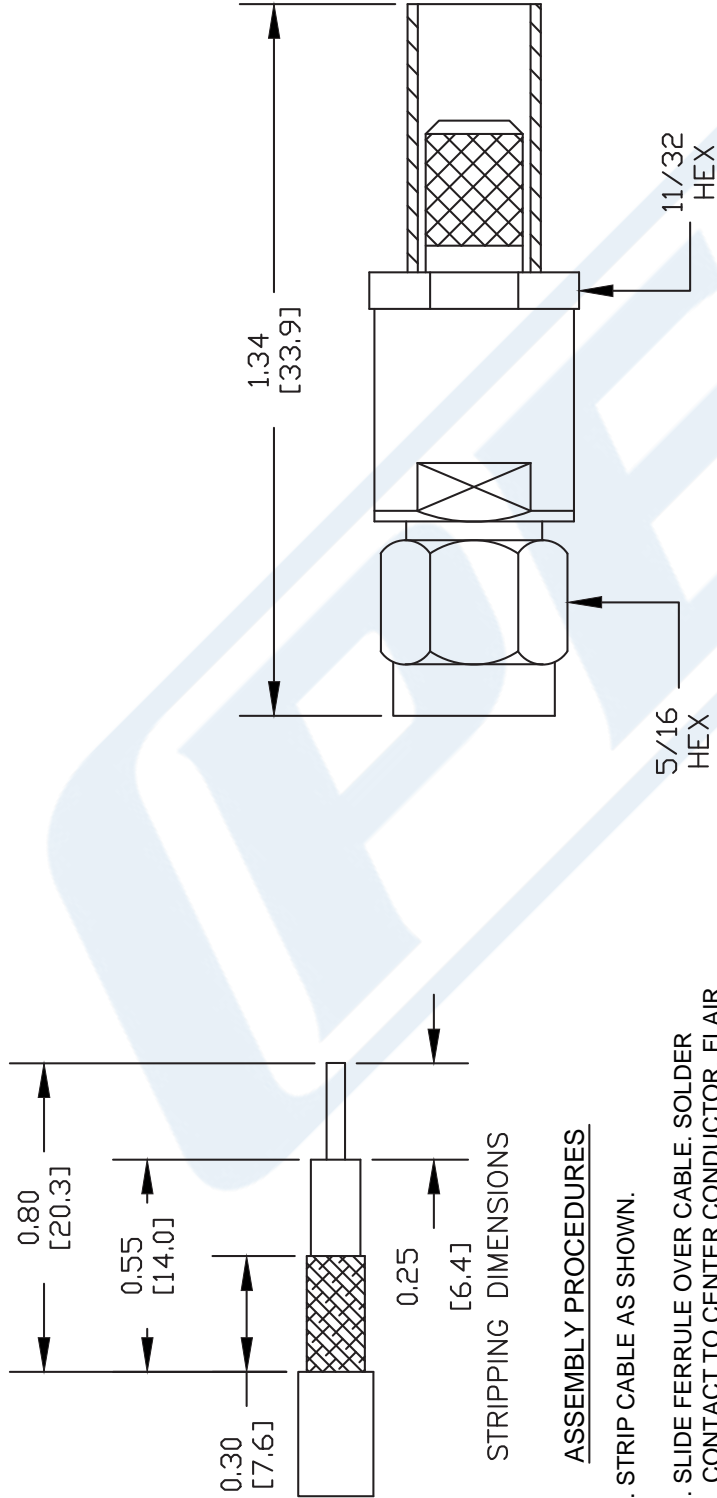
Click the following link (or enter part number in "SEARCH" on website) to obtain additional part information including price, inventory and certifications: [SMA Male Connector Clamp/Solder Attachment for PE-P195, PE-C195, RG58, RG141, RG303, 0.195 inch, LMR-195 PE4085](#)

URL: <https://www.pasternack.com/sma-male-standard-pe-p195-connector-pe4085-p.aspx>

The information contained in this document is accurate to the best of our knowledge and representative of the part described herein. It may be necessary to make modifications to the part and/or the documentation of the part, in order to implement improvements. Pasternack reserves the right to make such changes as required. Unless otherwise stated, all specifications are nominal. Pasternack does not make any representation or warranty regarding the suitability of the part described herein for any particular purpose, and Pasternack does not assume any liability arising out of the use of any part or documentation.

# PE4085 CAD Drawing

SMA Male Connector Clamp/Solder Attachment for PE-P195, PE-C195, RG58, RG141, RG303, 0.195 inch, LMR-195



NOTES:  
 1. UNLESS OTHERWISE SPECIFIED ALL DIMENSIONS ARE NOMINAL.  
 2. ALL SPECIFICATIONS ARE SUBJECT TO CHANGE WITHOUT NOTICE AT ANY TIME.  
 3. DIMENSIONS ARE IN INCHES [mm].  
 4. FITS MIL-C-17 AND EQUIVALENT CABLES.

DWG TITLE  
**PE4085**

**PASTERNAK®**  
 Pasternack Enterprises, Inc.  
 P.O. Box 16759 | Irvine | CA | 92623  
 Phone: (949) 261-1920 | Fax: (949) 261-7451  
 Website: www.pasternack.com | E-Mail: sales@pasternack.com

REV. A	FSCM NO. 53919	CAD FILE 082310	SCALE N/A	SIZE A	127
--------	----------------	-----------------	-----------	--------	-----