



100 Ohm TRB Plug 1553 Connector Crimp/Solder Attachment for 10612 inch, 10613 inch, 0024A0024,

## RF Connectors Technical Data Sheet

**PE410-06030-227**

### Configuration

- TRB Plug Connector
- MIL-STD-1553
- 100 Ohms
- Straight Body Geometry
- Connector Interface Types: 10612, 10613, 0024A0024
- 1553 Design

### Features

- Max. Operating Frequency 500 MHz
- Gold 30 micro inches Plated Bronze Contact
- Contact plating according to ASTM-B-488

### Applications

- General Purpose Test
- Custom Cable Assemblies
- 10612
- 10613
- 0024A0024

### Description

This TRB plug has a bayonet coupling design with a center contact and an intermediate cylindrical contact. The bayonet type can withstand severe shocks and vibrations. Uses 10612; 10613; 0024A0024 twinax cable. It is RoHS compliant.

### Electrical Specifications

Description	Minimum	Typical	Maximum	Units
Frequency Range	DC		500	MHz
Impedance		100		Ohms

### Mechanical Specifications

Size	
Length	1.12 in [28.50 mm]
Width	0.57 in [14.50 mm]
Height	0.57 in [14.50 mm]
Weight	0.05 lbs [22.68 g]

Click the following link (or enter part number in "SEARCH" on website) to obtain additional part information including price, inventory and certifications: [100 Ohm TRB Plug 1553 Connector Crimp/Solder Attachment for 10612 inch, 10613 inch, 0024A0024, PE410-06030-227](#)



100 Ohm TRB Plug 1553 Connector Crimp/Solder Attachment for 10612 inch, 10613 inch, 0024A0024,

## RF Connectors Technical Data Sheet

**PE410-06030-227**

### Material Specifications

Description	Material	Plating
Contact	Bronze	Gold 30 micro inches ASTM-B-488
Insulation	Teflon	
Outer Conductor	Phosphor Bronze	Gold 30 micro inches ASTM-B-488
Body	Brass	Nickel ASTM-B-733
Gasket	Rubber	
Crimp Sleeve	Brass	Nickel

### Environmental Specifications

#### Temperature

Operating Range -55 to +200 deg C

**Compliance Certifications** (see [product page](#) for current document)

### Plotted and Other Data

Notes:

100 Ohm TRB Plug 1553 Connector Crimp/Solder Attachment for 10612 inch, 10613 inch, 0024A0024, from Pasternack Enterprises has same day shipment for domestic and International orders. Our RF, microwave and millimeter wave products maintain a 99.4% availability and are part of the broadest selection in the industry.

Click the following link (or enter part number in "SEARCH" on website) to obtain additional part information including price, inventory and certifications: [100 Ohm TRB Plug 1553 Connector Crimp/Solder Attachment for 10612 inch, 10613 inch, 0024A0024, PE410-06030-227](#)

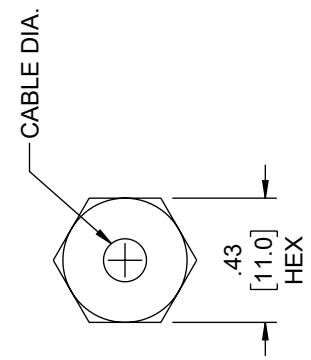
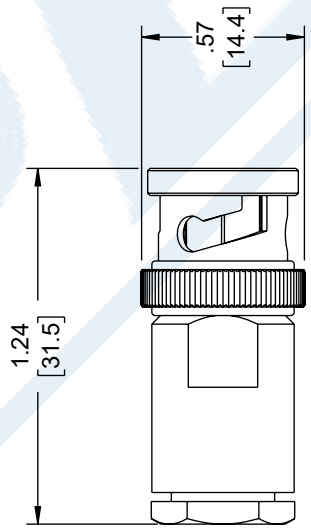
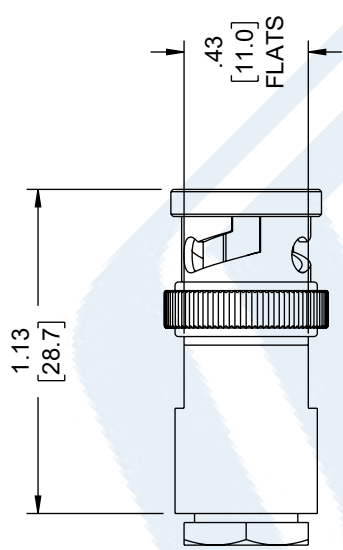
URL: <https://www.pasternack.com/trb-plug-10612-10613-0024a0024-connector-pe410-06030-227-p.aspx>

The information contained in this document is accurate to the best of our knowledge and representative of the part described herein. It may be necessary to make modifications to the part and/or the documentation of the part, in order to implement improvements. Pasternack reserves the right to make such changes as required. Unless otherwise stated, all specifications are nominal. Pasternack does not make any representation or warranty regarding the suitability of the part described herein for any particular purpose, and Pasternack does not assume any liability arising out of the use of any part or documentation.

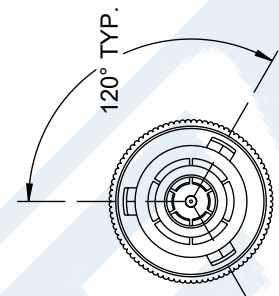
# PE410-06030-227 CAD Drawing

100 Ohm TRB Plug 1553 Connector Crimp/Solder Attachment  
for 10612 inch, 10613 inch, 0024A0024,

ZONE	REV	DESCRIPTION	DATE	CHANGED BY	APPROVED
A	A	INITIAL RELEASE	03/13/2023	HBAKKE	EKIM



MODEL NUMBER	CABLE DIAMETER
PE410-06030-206	.129"
PE410-06030-210	.242"
PE410-06030-227	.149"
PE410-06030-231	.150"
PE410-06030-242	.095"
PE410-06030-310	.245"
PE410-06030-350	.189"
PE410-06030-370	.156"



**PE PASTERNAK**  
an INFINITI® brand

Website: [www.Pasternack.com](http://www.Pasternack.com)  
Phone: 1.866.727.8376 | 1.949.261.1920

INTERPRET ALL DIMENSIONS AND TOLERANCES PER ASME Y14.5

SCALE: NONE  
SHEET: 1 OF 1

---

UNLESS OTHERWISE SPECIFIED LEADING DIMENSIONS ARE INCHES DIMENSIONS IN [ ] ARE MILLIMETERS

TOLERANCES:  
 .X = ±.2 [5] FRACTIONS  
 .XX = ±.02 [.5] ±.1/32  
 .XXX = ±.005 [.13] ANGLES ± 1°

CABLE LENGTH TOLERANCES:  
 ≤12 [305] = +1 [25] / -0  
 >12 [305] ≤ 60 [1524] = +2 [51] / -0  
 >60 [1524] ≤ 120 [3048] = +4 [102] / -0  
 >120 [3048] ≤ 300 [7620] = +6 [152] / -0  
 >300 [7620] = +5% / -0

ALL DIMENSIONS ARE FOR REFERENCE ONLY AND SUBJECT TO CHANGE WITHOUT NOTICE

---

DESCRIPTION: TRB 3-SLOT SOLDER CABLE PLUG

SIZE: A	CAGE CODE: 53919	DRAWN BY: HBAKKE	ITEM NO.: PE410-06030	REV: A
---------	------------------	------------------	-----------------------	--------

**REGULATORY COMPLIANCE:**  
EU RoHS DIRECTIVE (MOST RECENT RELEASED VERSION)

THE INFORMATION CONTAINED IN THIS DRAWING IS THE SOLE PROPERTY OF INFINITE ELECTRONICS, INC. ANY REPRODUCTION IN PART OR WHOLE WITHOUT THE WRITTEN PERMISSION OF INFINITE ELECTRONICS, INC. IS PROHIBITED. THESE COMMODITIES, TECHNOLOGY OR SOFTWARE WERE EXPORTED FROM THE UNITED STATES IN ACCORDANCE WITH THE EXPORT ADMINISTRATION REGULATIONS. DIVERSION CONTRARY TO U.S. LAW PROHIBITED.