



TRB Plug Full Crimp Connector for 752BA5314 Cable

RF Connectors Technical Data Sheet

PE410-06031-303

Configuration

- TRB Plug Connector
- Straight Body Geometry

- Connector Interface Types: Raychem 7528A5314

Features

- Max. Operating Frequency 500 MHz

- Gold Plated Beryllium Copper Contact

Applications

- General Purpose Test

Description

Pasternack's PE410-06031-303, TRB, Standard, Connector is part of our full line of RF components available for same-day shipping. Our TRB plug connector operates up to a maximum frequency of 500 MHz.

Our TRB plug connector PE410-06031-303 datasheet specifications and drawing with dimensions are shown below in this PDF. Pasternack's broad catalog of RF, microwave and millimeter wave connectors allows designers to configure and customize their signal connections however they like. Whether the need is to provide an I/O for a board design, or simply create a custom cable assembly configuration, Pasternack has the right connector for the job. Pasternack can also expertly build your custom cable assemblies for you and ship same-day.

Electrical Specifications

| Description | Minimum | Typical | Maximum | Units |
|------------------------|---------|---------|---------|-------|
| Frequency Range | DC | | 500 | MHz |
| Operating Voltage (AC) | | | 5,000 | Vrms |

Mechanical Specifications

Size

| | |
|---------------|--------------------|
| Length | 1.60 in [40.64 mm] |
| Width | 0.50 in [12.70 mm] |
| Height | 0.50 in [12.70 mm] |
| Weight | 0.05 lbs [22.68 g] |
| Mating Cycles | 500 Cycles |

Click the following link (or enter part number in "SEARCH" on website) to obtain additional part information including price, inventory and certifications: [TRB Plug Full Crimp Connector for 752BA5314 Cable PE410-06031-303](#)



TRB Plug Full Crimp Connector for 752BA5314 Cable

RF Connectors Technical Data Sheet

PE410-06031-303

Material Specifications

| Description | Material | Plating |
|---------------|------------------|---------|
| Contact | Beryllium Copper | Gold |
| Insulation | PTFE | |
| Body | Brass | Nickel |
| Coupling Nut | Brass | Nickel |
| Washer | Brass | Nickel |
| Shrink Tubing | PVDF | |

Environmental Specifications

Temperature

Operating Range

-65 to +165 deg C

Compliance Certifications (see [product page](#) for current document)

Plotted and Other Data

Notes:

TRB Plug Full Crimp Connector for 752BA5314 Cable from Pasternack Enterprises has same day shipment for domestic and International orders. Our RF, microwave and millimeter wave products maintain a 99.4% availability and are part of the broadest selection in the industry.

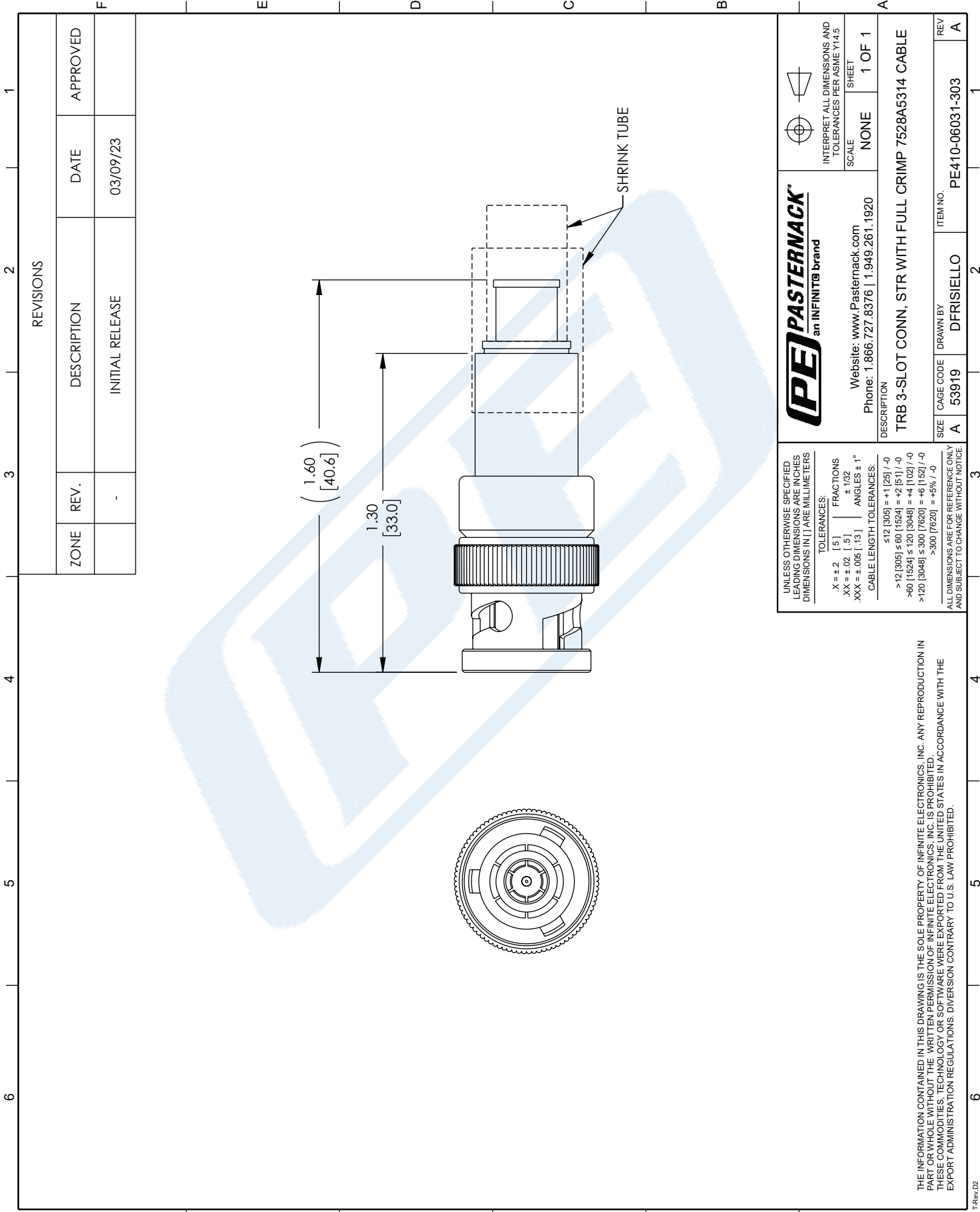
Click the following link (or enter part number in "SEARCH" on website) to obtain additional part information including price, inventory and certifications: [TRB Plug Full Crimp Connector for 752BA5314 Cable PE410-06031-303](#)

URL: <https://www.pasternack.com/trb-plug-raychem-7528a5314-connector-pe410-06031-303-p.aspx>

The information contained in this document is accurate to the best of our knowledge and representative of the part described herein. It may be necessary to make modifications to the part and/or the documentation of the part, in order to implement improvements. Pasternack reserves the right to make such changes as required. Unless otherwise stated, all specifications are nominal. Pasternack does not make any representation or warranty regarding the suitability of the part described herein for any particular purpose, and Pasternack does not assume any liability arising out of the use of any part or documentation.

PE410-06031-303 CAD Drawing

TRB Plug Full Crimp Connector for 752BA5314 Cable



| REVISIONS | | | | |
|-----------|------|-----------------|----------|----------|
| ZONE | REV. | DESCRIPTION | DATE | APPROVED |
| | - | INITIAL RELEASE | 03/09/23 | |

| | |
|--|---|
| <p>PASTERNAK an INFINITI® brand</p> <p>Website: www.Pasternack.com Phone: 1.866.727.8376 1.949.281.1920</p> | <p>INTERPRET ALL DIMENSIONS AND TOLERANCES PER ASME Y14.5</p> |
| | <p>SCALE: NONE</p> <p>SHEET: 1 OF 1</p> |
| <p>DESCRIPTION: TRB 3-SLOT CONN, STR WITH FULL CRIMP 7528A5314 CABLE</p> | |
| <p>SIZE: A</p> <p>CAGE CODE: 53919</p> <p>DRAWN BY: DFRISIELLO</p> <p>ITEM NO.: PE410-06031-303</p> | <p>REV: A</p> |

UNLESS OTHERWISE SPECIFIED LEADING DIMENSIONS ARE INCHES DIMENSIONS IN [] ARE MILLIMETERS

TOLERANCES:

| | | | |
|--------------|-------|--------------------------|--------|
| .X = ±.2 | [.5] | FRACTIONS | ±.1/32 |
| .XX = ±.02 | [.13] | ANGLES ± 1° | |
| .XXX = ±.005 | [.13] | CABLE LENGTH TOLERANCES: | |

>12 [305] ≤ 60 [1524] = +1 [25] / -0
 >60 [1524] ≤ 120 [3048] = +2 [51] / -0
 >120 [3048] ≤ 300 [7620] = +4 [102] / -0
 >300 [7620] = +5% / -0

ALL DIMENSIONS ARE FOR REFERENCE ONLY AND SUBJECT TO CHANGE WITHOUT NOTICE

THE INFORMATION CONTAINED IN THIS DRAWING IS THE SOLE PROPERTY OF INFINITE ELECTRONICS, INC. ANY REPRODUCTION IN PART OR WHOLE WITHOUT THE WRITTEN PERMISSION OF INFINITE ELECTRONICS, INC. IS PROHIBITED. THESE COMMODITIES, TECHNOLOGY OR SOFTWARE WERE EXPORTED FROM THE UNITED STATES IN ACCORDANCE WITH THE EXPORT ADMINISTRATION REGULATIONS. DIVERSION CONTRARY TO U.S. LAW PROHIBITED.