



78 Ohm TRB Plug 1553 Connector Crimp/
Solder Attachment for M17/176-00002,

RF Connectors Technical Data Sheet

PE410-06033-206

Configuration

- TRB Plug Connector
- MIL-STD-1553
- 78 Ohms
- Straight Body Geometry
- Connector Interface Types: M17/176-00002, BEND RELIEF
- 1553 Design

Features

- Max. Operating Frequency 500 MHz
- Gold 30 micro inches Plated Bronze Contact
- Contact plating according to ASTM-B-488

Applications

- General Purpose Test
- Custom Cable Assemblies
- M17/176-00002

Description

This TRB plug with Bend Relief has a bayonet coupling design with a center contact and an intermediate cylindrical contact. The bayonet type can withstand severe shocks and vibrations. Uses high-temperature M17/176-00002 twinax cable. It is RoHS compliant.

Electrical Specifications

Description	Minimum	Typical	Maximum	Units
Frequency Range	DC		500	MHz
Impedance		78		Ohms

Mechanical Specifications

Size	
Length	2.09 in [53.20 mm]
Width	0.57 in [14.50 mm]
Height	0.57 in [14.50 mm]
Weight	0.05 lbs [22.68 g]

Click the following link (or enter part number in "SEARCH" on website) to obtain additional part information including price, inventory and certifications: [78 Ohm TRB Plug 1553 Connector Crimp/Solder Attachment for M17/176-00002, PE410-06033-206](#)



78 Ohm TRB Plug 1553 Connector Crimp/
Solder Attachment for M17/176-00002,

RF Connectors Technical Data Sheet

PE410-06033-206

Material Specifications

Description	Material	Plating
Contact	Bronze	Gold 30 micro inches ASTM-B-488
Insulation	Teflon	
Outer Conductor	Phosphor Bronze	Gold 30 micro inches ASTM-B-488
Body	Brass	Nickel ASTM-B-733
Gasket	Rubber	
Crimp Sleeve	Brass	Nickel

Environmental Specifications

Temperature

Operating Range -55 to +200 deg C

Compliance Certifications (see [product page](#) for current document)

Plotted and Other Data

Notes:

78 Ohm TRB Plug 1553 Connector Crimp/Solder Attachment for M17/176-00002, from Pasternack Enterprises has same day shipment for domestic and International orders. Our RF, microwave and millimeter wave products maintain a 99.4% availability and are part of the broadest selection in the industry.

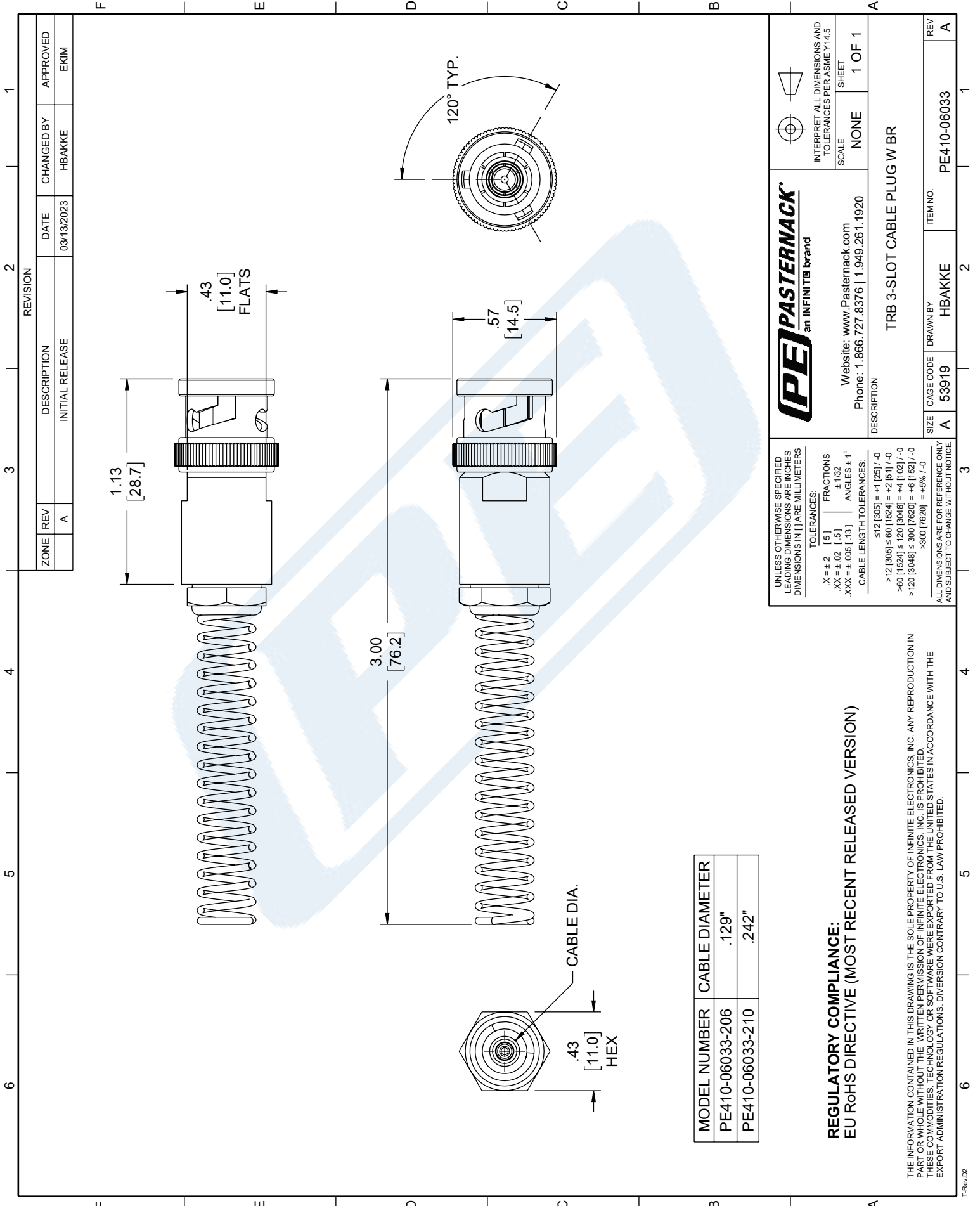
Click the following link (or enter part number in "SEARCH" on website) to obtain additional part information including price, inventory and certifications: [78 Ohm TRB Plug 1553 Connector Crimp/Solder Attachment for M17/176-00002, PE410-06033-206](#)

URL: <https://www.pasternack.com/trb-plug-m17-176-00002-bend-relief-connector-pe410-06033-206-p.aspx>

The information contained in this document is accurate to the best of our knowledge and representative of the part described herein. It may be necessary to make modifications to the part and/or the documentation of the part, in order to implement improvements. Pasternack reserves the right to make such changes as required. Unless otherwise stated, all specifications are nominal. Pasternack does not make any representation or warranty regarding the suitability of the part described herein for any particular purpose, and Pasternack does not assume any liability arising out of the use of any part or documentation.

PE410-06033-206 CAD Drawing

78 Ohm TRB Plug 1553 Connector Crimp/Solder Attachment for M17/176-00002,



MODEL NUMBER	CABLE DIAMETER
PE410-06033-206	.129"
PE410-06033-210	.242"

REGULATORY COMPLIANCE:
 EU RoHS DIRECTIVE (MOST RECENT RELEASED VERSION)

THE INFORMATION CONTAINED IN THIS DRAWING IS THE SOLE PROPERTY OF INFINITE ELECTRONICS, INC. ANY REPRODUCTION IN PART OR WHOLE WITHOUT THE WRITTEN PERMISSION OF INFINITE ELECTRONICS, INC. IS PROHIBITED. THESE COMMODITIES, TECHNOLOGY OR SOFTWARE WERE EXPORTED FROM THE UNITED STATES IN ACCORDANCE WITH THE EXPORT ADMINISTRATION REGULATIONS. DIVERSION CONTRARY TO U.S. LAW PROHIBITED.

UNLESS OTHERWISE SPECIFIED LEADING DIMENSIONS ARE INCHES DIMENSIONS IN [] ARE MILLIMETERS

TOLERANCES:

.X = ±.2 [5] FRACTIONS
 .XX = ±.02 [.5] ±1/32
 .XXX = ±.005 [.13] ANGLES ± 1°

CABLE LENGTH TOLERANCES:

≤12 [305] = +1 [25] / -0
 >12 [305] ≤ 60 [1524] = +2 [51] / -0
 >60 [1524] ≤ 120 [3048] = +4 [102] / -0
 >120 [3048] ≤ 300 [7620] = +6 [152] / -0
 >300 [7620] = +5% / -0

ALL DIMENSIONS ARE FOR REFERENCE ONLY AND SUBJECT TO CHANGE WITHOUT NOTICE

PE PASTERNAK
 an INFINITIB brand

Website: www.Pasternack.com
 Phone: 1.866.727.8376 | 1.949.261.1920

SCALE: NONE
 SHEET: 1 OF 1

INTERPRET ALL DIMENSIONS AND TOLERANCES PER ASME Y14.5

DESCRIPTION: TRB 3-SLOT CABLE PLUG W BR

SIZE	CAGE CODE	DRAWN BY	ITEM NO.	REV
A	53919	HBAKKE	PE410-06033	A