



78 Ohm TRB Plug 1553 Connector Crimp/Solder Attachment for 30-02001, TWC-78-2,

RF Connectors Technical Data Sheet

PE410-06033-210

Configuration

- TRB Plug Connector
- MIL-STD-1553
- 78 Ohms
- Straight Body Geometry
- Connector Interface Types: 30-02001, TWC-78-2, BEND RELIEF
- 1553 Design

Features

- Max. Operating Frequency 500 MHz
- Gold 30 micro inches Plated Bronze Contact
- Contact plating according to ASTM-B-488

Applications

- General Purpose Test
- Custom Cable Assemblies
- 30-02001
- TWC-78-2

Description

This TRB plug with Bend Relief has a bayonet coupling design with a center contact and an intermediate cylindrical contact. The bayonet type can withstand severe shocks and vibrations. Uses MilesTek 30-02001 laboratory-rated twinax cable, or Cinch's TWC-78-2 twinax cable, or Belden 9272. It is RoHS compliant.

Electrical Specifications

Description	Minimum	Typical	Maximum	Units
Frequency Range	DC		500	MHz
Impedance		78		Ohms

Mechanical Specifications

Size	
Length	2.09 in [53.20 mm]
Width	0.57 in [14.50 mm]
Height	0.57 in [14.50 mm]
Weight	0.05 lbs [22.68 g]

Click the following link (or enter part number in "SEARCH" on website) to obtain additional part information including price, inventory and certifications: [78 Ohm TRB Plug 1553 Connector Crimp/Solder Attachment for 30-02001, TWC-78-2, PE410-06033-210](#)



78 Ohm TRB Plug 1553 Connector Crimp/Solder Attachment for 30-02001, TWC-78-2,

RF Connectors Technical Data Sheet

PE410-06033-210

Material Specifications

Description	Material	Plating
Contact	Bronze	Gold 30 micro inches ASTM-B-488
Insulation	Teflon	
Outer Conductor	Phosphor Bronze	Gold 30 micro inches ASTM-B-488
Body	Brass	Nickel ASTM-B-733
Gasket	Rubber	
Crimp Sleeve	Brass	Nickel

Environmental Specifications

Temperature

Operating Range -55 to +200 deg C

Compliance Certifications (see [product page](#) for current document)

Plotted and Other Data

Notes:

78 Ohm TRB Plug 1553 Connector Crimp/Solder Attachment for 30-02001, TWC-78-2, from Pasternack Enterprises has same day shipment for domestic and International orders. Our RF, microwave and millimeter wave products maintain a 99.4% availability and are part of the broadest selection in the industry.

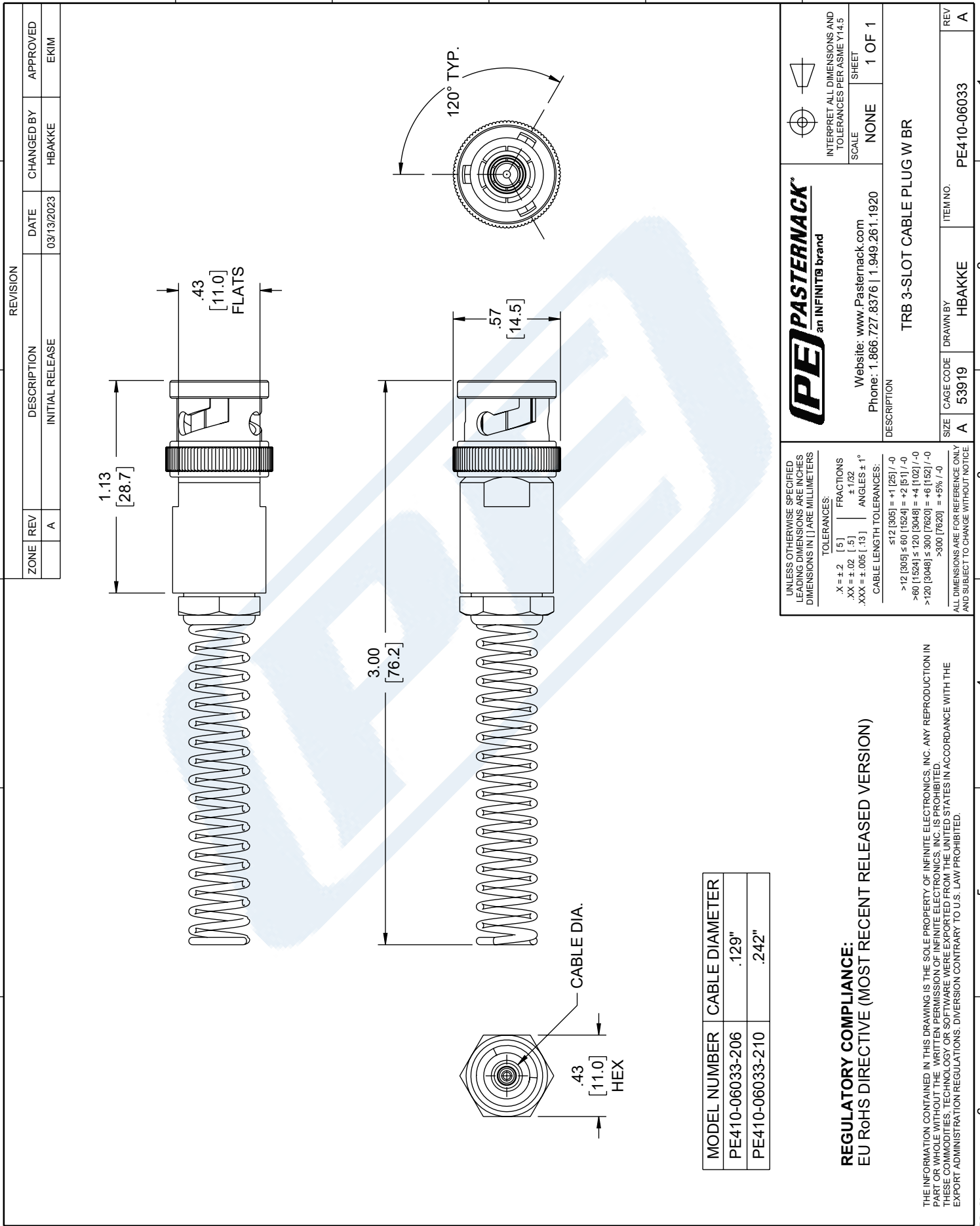
Click the following link (or enter part number in "SEARCH" on website) to obtain additional part information including price, inventory and certifications: [78 Ohm TRB Plug 1553 Connector Crimp/Solder Attachment for 30-02001, TWC-78-2, PE410-06033-210](#)

URL: <https://www.pasternack.com/trb-plug-30-02001-twc-78-2-connector-pe410-06033-210-p.aspx>

The information contained in this document is accurate to the best of our knowledge and representative of the part described herein. It may be necessary to make modifications to the part and/or the documentation of the part, in order to implement improvements. Pasternack reserves the right to make such changes as required. Unless otherwise stated, all specifications are nominal. Pasternack does not make any representation or warranty regarding the suitability of the part described herein for any particular purpose, and Pasternack does not assume any liability arising out of the use of any part or documentation.

PE410-06033-210 CAD Drawing

78 Ohm TRB Plug 1553 Connector Crimp/Solder Attachment for 30-02001, TWC-78-2,



MODEL NUMBER	CABLE DIAMETER
PE410-06033-206	.129"
PE410-06033-210	.242"

REGULATORY COMPLIANCE:
 EU RoHS DIRECTIVE (MOST RECENT RELEASED VERSION)

THE INFORMATION CONTAINED IN THIS DRAWING IS THE SOLE PROPERTY OF INFINITE ELECTRONICS, INC. ANY REPRODUCTION IN PART OR WHOLE WITHOUT THE WRITTEN PERMISSION OF INFINITE ELECTRONICS, INC. IS PROHIBITED. THESE COMMODITIES, TECHNOLOGY OR SOFTWARE WERE EXPORTED FROM THE UNITED STATES IN ACCORDANCE WITH THE EXPORT ADMINISTRATION REGULATIONS. DIVERSION CONTRARY TO U.S. LAW PROHIBITED.

UNLESS OTHERWISE SPECIFIED LEADING DIMENSIONS ARE INCHES DIMENSIONS IN [] ARE MILLIMETERS

TOLERANCES:

.X = ±.2 [5] FRACTIONS
 .XX = ±.02 [.5] ± 1/32
 .XXX = ±.005 [.13] ANGLES ± 1°

CABLE LENGTH TOLERANCES:

≤ 12 [305] = +1 [25] / -0
 > 12 [305] ≤ 60 [1524] = +2 [51] / -0
 > 60 [1524] ≤ 120 [3048] = +4 [102] / -0
 > 120 [3048] ≤ 300 [7620] = +6 [152] / -0
 > 300 [7620] = +5% / -0

ALL DIMENSIONS ARE FOR REFERENCE ONLY AND SUBJECT TO CHANGE WITHOUT NOTICE

PE PASTERNAK
 an INFINITIB brand

Website: www.Pasternack.com
 Phone: 1.866.727.8376 | 1.949.261.1920

INTERPRET ALL DIMENSIONS AND TOLERANCES PER ASME Y14.5

SCALE NONE

SHEET 1 OF 1

DESCRIPTION TRB 3-SLOT CABLE PLUG W BR

SIZE A

CAGE CODE 53919

DRAWN BY HBAKKE

ITEM NO. PE410-06033

REV A