



4-SLOT TRB PLUG 78 OHM TERMINATOR W 6" CHAIN

RF Terminations Technical Data Sheet

PE410-06403-036

Applications

- TRB PLUG

Electrical Specifications

Description	Minimum	Typical	Maximum	Units
Frequency Range	DC		500	MHz
Impedance		78		Ohms

Mechanical Specifications

Size

Length	1.76 in [44.7 mm]
Width	0.56 in [14.22 mm]
Height	0.56 in [14.22 mm]
Weight	0.0625 lbs [28.35 g]

Configuration

Connector	TRB 4-Slot Plug
Connector Specification	MIL-STD-1553

Material Specifications

Description	Material	Plating
Connector 1 Contact	Bronze	Gold 30 micro inches ASTM-B-488
Gasket	Rubber	
Body	Brass	Nickel ASTM-B-733

Environmental Specifications

Temperature

Operating Range	-55 to +200 deg C
-----------------	-------------------

Compliance Certifications (see [product page](#) for current document)

Plotted and Other Data

Notes:

Click the following link (or enter part number in "SEARCH" on website) to obtain additional part information including price, inventory and certifications: [4-SLOT TRB PLUG 78 OHM TERMINATOR W 6" CHAIN PE410-06403-036](#)



4-SLOT TRB PLUG 78 OHM TERMINATOR W 6" CHAIN

RF Terminations Technical Data Sheet

PE410-06403-036

4-SLOT TRB PLUG 78 OHM TERMINATOR W 6" CHAIN from Pasternack Enterprises has same day shipment for domestic and International orders. Our RF, microwave and millimeter wave products maintain a 99.4% availability and are part of the broadest selection in the industry.

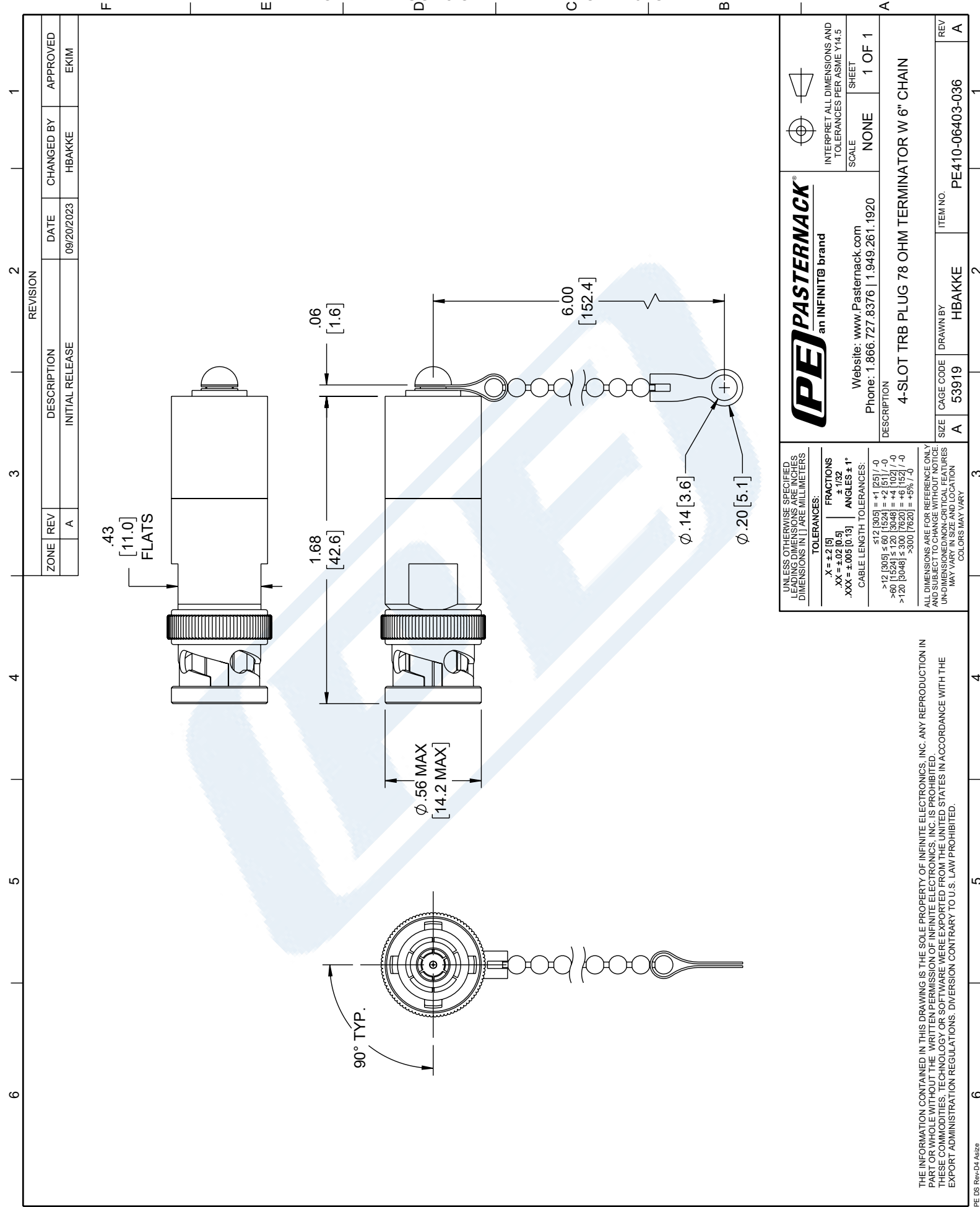
Click the following link (or enter part number in "SEARCH" on website) to obtain additional part information including price, inventory and certifications: [4-SLOT TRB PLUG 78 OHM TERMINATOR W 6" CHAIN PE410-06403-036](https://www.pasternack.com/4-slot-trb-plug-78-ohm-terminator-w-6-chain-pe410-06403-036)

URL: <https://www.pasternack.com/4-slot-trb-plug-78-ohm-terminator-w-6-chain-pe410-06403-036-p.aspx>

The information contained in this document is accurate to the best of our knowledge and representative of the part described herein. It may be necessary to make modifications to the part and/or the documentation of the part, in order to implement improvements. Pasternack reserves the right to make such changes as required. Unless otherwise stated, all specifications are nominal. Pasternack does not make any representation or warranty regarding the suitability of the part described herein for any particular purpose, and Pasternack does not assume any liability arising out of the use of any part or documentation.

PE410-06403-036 CAD Drawing

4-SLOT TRB PLUG 78 OHM TERMINATOR W 6" CHAIN



REVISION		DATE	CHANGED BY	APPROVED
ZONE	REV	DESCRIPTION		
	A	INITIAL RELEASE	HBAKKE	EKIM

PASTERNAK an INFINITI® brand		Website: www.Pasternack.com Phone: 1.866.727.8376 1.949.261.1920	INTERPRET ALL DIMENSIONS AND TOLERANCES PER ASME Y14.5 SCALE: NONE SHEET: 1 OF 1
UNLESS OTHERWISE SPECIFIED, LEADING DIMENSIONS ARE IN INCHES, DIMENSIONS IN [] ARE MILLIMETERS.		DESCRIPTION 4-SLOT TRB PLUG 78 OHM TERMINATOR W 6" CHAIN	
TOLERANCES: .X = ±.2 [5] .XX = ±.02 [0.5] .XXX = ±.005 [0.13]		FRACTIONS ± 1/32 ANGLES ± 1° CABLE LENGTH TOLERANCES: ≤12 [305] = +1 [25] / -0 >12 [305] ≤ 60 [1524] = +2 [51] / -0 >60 [1524] ≤ 120 [3048] = +4 [102] / -0 >120 [3048] ≤ 300 [7620] = +.5% / -0 >300 [7620] = +.5% / -0	
ALL DIMENSIONS ARE FOR REFERENCE ONLY AND SUBJECT TO CHANGE WITHOUT NOTICE. UNDIMENSIONED NON-CRITICAL FEATURES MAY VARY IN SIZE AND LOCATION. COLORS MAY VARY.		SIZE: A CAGE CODE: 53919 DRAWN BY: HBAKKE ITEM NO.: PE410-06403-036	REV: A

THE INFORMATION CONTAINED IN THIS DRAWING IS THE SOLE PROPERTY OF INFINITE ELECTRONICS, INC. ANY REPRODUCTION IN PART OR WHOLE WITHOUT THE WRITTEN PERMISSION OF INFINITE ELECTRONICS, INC. IS PROHIBITED. THESE COMMODITIES, TECHNOLOGY OR SOFTWARE WERE EXPORTED FROM THE UNITED STATES IN ACCORDANCE WITH THE EXPORT ADMINISTRATION REGULATIONS. DIVERSION CONTRARY TO U.S. LAW PROHIBITED.