



78 Ohm TRB Jack 1553 Connector Crimp/
Solder Attachment for TRB PLUG,

RF Connectors Technical Data Sheet

PE410-06569

Configuration

- TRB Jack Connector
- MIL-STD-1553
- 78 Ohms
- Straight Body Geometry
- Connector Interface Types: TRB JACK
- 1553 Design

Features

- Max. Operating Frequency 500 MHz
- Gold 30 micro inches Plated Bronze Contact
- Contact plating according to ASTM-B-488

Applications

- General Purpose Test
- Custom Cable Assemblies
- TRB JACK

Description

TRB jack is supplied with grounding tab. Bulkhead jack appears on the front side of the panel and mates to TRB Plug. It is RoHS compliant.

Electrical Specifications

Description	Minimum	Typical	Maximum	Units
Frequency Range	DC		500	MHz
Impedance		78		Ohms

Mechanical Specifications

Size	
Length	1.15 in [29.30 mm]
Width	0.56 in [14.30 mm]
Height	0.56 in [14.30 mm]
Weight	0.03 lbs [13.61 g]

Click the following link (or enter part number in "SEARCH" on website) to obtain additional part information including price, inventory and certifications: [78 Ohm TRB Jack 1553 Connector Crimp/Solder Attachment for TRB PLUG, PE410-06569](#)



78 Ohm TRB Jack 1553 Connector Crimp/
Solder Attachment for TRB PLUG,

RF Connectors Technical Data Sheet

PE410-06569

Material Specifications

Description	Material	Plating
Contact	Bronze	Gold 30 micro inches ASTM-B-488
Insulation	Teflon	
Outer Conductor	Phosphor Bronze	Gold 30 micro inches ASTM-B-488
Body	Brass	Nickel ASTM-B-733
Gasket	Rubber	
Crimp Sleeve	Brass	Nickel

Environmental Specifications

Temperature

Operating Range -55 to +200 deg C

Compliance Certifications (see [product page](#) for current document)

Plotted and Other Data

Notes:

78 Ohm TRB Jack 1553 Connector Crimp/Solder Attachment for TRB PLUG, from Pasternack Enterprises has same day shipment for domestic and International orders. Our RF, microwave and millimeter wave products maintain a 99.4% availability and are part of the broadest selection in the industry.

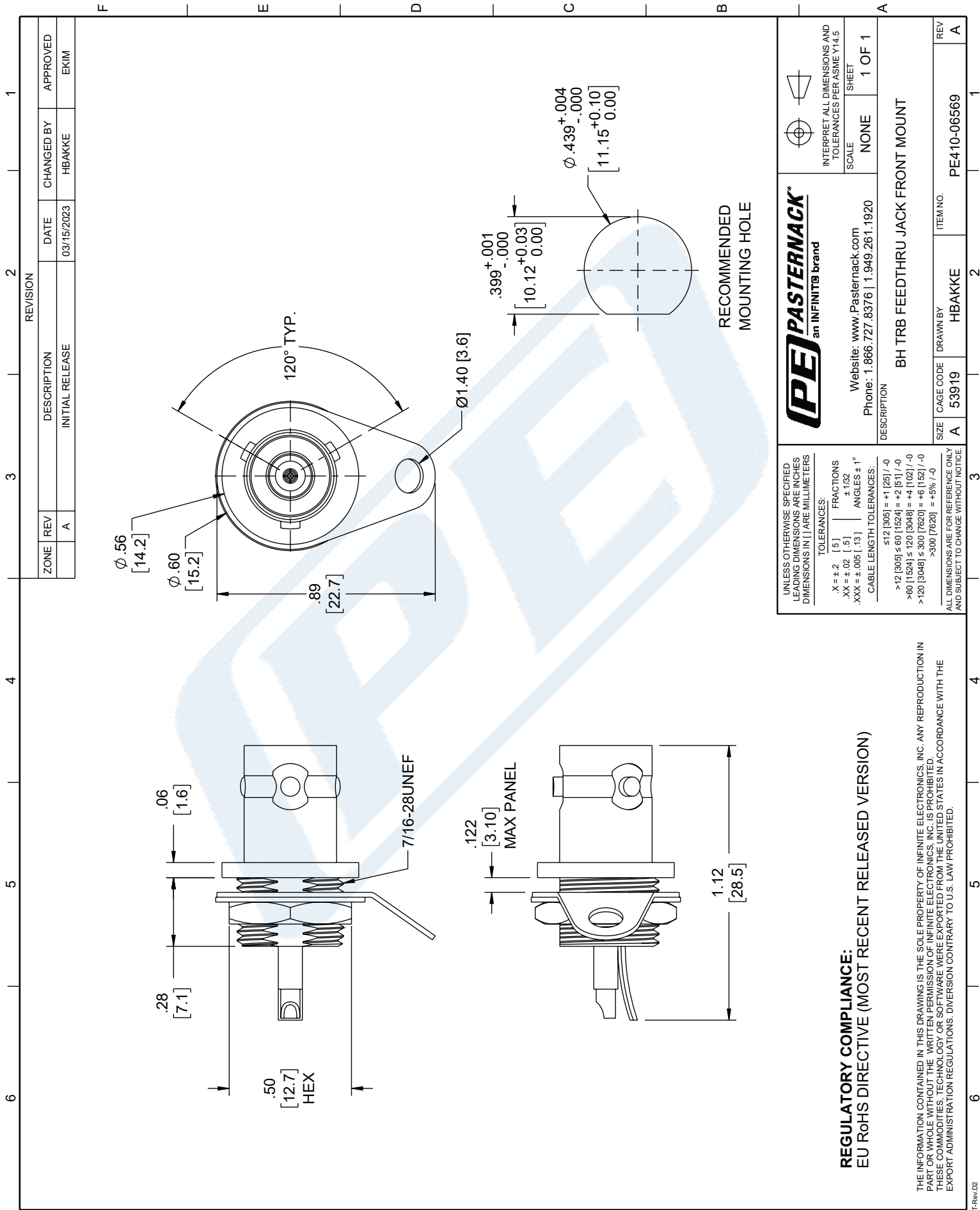
Click the following link (or enter part number in "SEARCH" on website) to obtain additional part information including price, inventory and certifications: [78 Ohm TRB Jack 1553 Connector Crimp/Solder Attachment for TRB PLUG, PE410-06569](#)

URL: <https://www.pasternack.com/trb-jack-trb-jack-connector-pe410-06569-p.aspx>

The information contained in this document is accurate to the best of our knowledge and representative of the part described herein. It may be necessary to make modifications to the part and/or the documentation of the part, in order to implement improvements. Pasternack reserves the right to make such changes as required. Unless otherwise stated, all specifications are nominal. Pasternack does not make any representation or warranty regarding the suitability of the part described herein for any particular purpose, and Pasternack does not assume any liability arising out of the use of any part or documentation.

PE410-06569 CAD Drawing

78 Ohm TRB Jack 1553 Connector Crimp/Solder Attachment for TRB PLUG,



ZONE	REV	DESCRIPTION	DATE	CHANGED BY	APPROVED
	A	INITIAL RELEASE	03/15/2023	HBAKKE	EKIM

REVISION	DATE	CHANGED BY	APPROVED
	03/15/2023	HBAKKE	EKIM

DESCRIPTION	ITEM NO.	ITEM NO.
BH TRB FEEDTHRU JACK FRONT MOUNT	53919	PE410-06569

SCALE	SHEET
NONE	1 OF 1

WEBSITE	PHONE
www.Pasternack.com	1.866.727.8376 1.949.261.1920

UNLESS OTHERWISE SPECIFIED LEADING DIMENSIONS ARE INCHES DIMENSIONS IN [] ARE MILLIMETERS
TOLERANCES:
.X = ±.2 [5] FRACTIONS
.XX = ±.02 [5] ±.1/32
.XXX = ±.005 [13] ANGLES ± 1°
CABLE LENGTH TOLERANCES:
≤12 [305] = +1 [25] / -0
>12 [305] ≤ 60 [1524] = +2 [51] / -0
>60 [1524] ≤ 120 [3048] = +4 [102] / -0
>120 [3048] ≤ 300 [7620] = +6 [152] / -0
>300 [7620] = +5% / -0
ALL DIMENSIONS ARE FOR REFERENCE ONLY AND SUBJECT TO CHANGE WITHOUT NOTICE

SIZE	CAGE CODE	DRAWN BY
A	53919	HBAKKE

REV	REV
A	A

DESCRIPTION	ITEM NO.
BH TRB FEEDTHRU JACK FRONT MOUNT	PE410-06569

SCALE	SHEET
NONE	1 OF 1

WEBSITE	PHONE
www.Pasternack.com	1.866.727.8376 1.949.261.1920

UNLESS OTHERWISE SPECIFIED LEADING DIMENSIONS ARE INCHES DIMENSIONS IN [] ARE MILLIMETERS
TOLERANCES:
.X = ±.2 [5] FRACTIONS
.XX = ±.02 [5] ±.1/32
.XXX = ±.005 [13] ANGLES ± 1°
CABLE LENGTH TOLERANCES:
≤12 [305] = +1 [25] / -0
>12 [305] ≤ 60 [1524] = +2 [51] / -0
>60 [1524] ≤ 120 [3048] = +4 [102] / -0
>120 [3048] ≤ 300 [7620] = +6 [152] / -0
>300 [7620] = +5% / -0
ALL DIMENSIONS ARE FOR REFERENCE ONLY AND SUBJECT TO CHANGE WITHOUT NOTICE

SIZE	CAGE CODE	DRAWN BY
A	53919	HBAKKE

REV	REV
A	A

DESCRIPTION	ITEM NO.
BH TRB FEEDTHRU JACK FRONT MOUNT	PE410-06569

SCALE	SHEET
NONE	1 OF 1

WEBSITE	PHONE
www.Pasternack.com	1.866.727.8376 1.949.261.1920

UNLESS OTHERWISE SPECIFIED LEADING DIMENSIONS ARE INCHES DIMENSIONS IN [] ARE MILLIMETERS
TOLERANCES:
.X = ±.2 [5] FRACTIONS
.XX = ±.02 [5] ±.1/32
.XXX = ±.005 [13] ANGLES ± 1°
CABLE LENGTH TOLERANCES:
≤12 [305] = +1 [25] / -0
>12 [305] ≤ 60 [1524] = +2 [51] / -0
>60 [1524] ≤ 120 [3048] = +4 [102] / -0
>120 [3048] ≤ 300 [7620] = +6 [152] / -0
>300 [7620] = +5% / -0
ALL DIMENSIONS ARE FOR REFERENCE ONLY AND SUBJECT TO CHANGE WITHOUT NOTICE

SIZE	CAGE CODE	DRAWN BY
A	53919	HBAKKE

REV	REV
A	A

DESCRIPTION	ITEM NO.
BH TRB FEEDTHRU JACK FRONT MOUNT	PE410-06569

SCALE	SHEET
NONE	1 OF 1

WEBSITE	PHONE
www.Pasternack.com	1.866.727.8376 1.949.261.1920

UNLESS OTHERWISE SPECIFIED LEADING DIMENSIONS ARE INCHES DIMENSIONS IN [] ARE MILLIMETERS
TOLERANCES:
.X = ±.2 [5] FRACTIONS
.XX = ±.02 [5] ±.1/32
.XXX = ±.005 [13] ANGLES ± 1°
CABLE LENGTH TOLERANCES:
≤12 [305] = +1 [25] / -0
>12 [305] ≤ 60 [1524] = +2 [51] / -0
>60 [1524] ≤ 120 [3048] = +4 [102] / -0
>120 [3048] ≤ 300 [7620] = +6 [152] / -0
>300 [7620] = +5% / -0
ALL DIMENSIONS ARE FOR REFERENCE ONLY AND SUBJECT TO CHANGE WITHOUT NOTICE

SIZE	CAGE CODE	DRAWN BY
A	53919	HBAKKE

REV	REV
A	A

DESCRIPTION	ITEM NO.
BH TRB FEEDTHRU JACK FRONT MOUNT	PE410-06569

SCALE	SHEET
NONE	1 OF 1

WEBSITE	PHONE
www.Pasternack.com	1.866.727.8376 1.949.261.1920

UNLESS OTHERWISE SPECIFIED LEADING DIMENSIONS ARE INCHES DIMENSIONS IN [] ARE MILLIMETERS
TOLERANCES:
.X = ±.2 [5] FRACTIONS
.XX = ±.02 [5] ±.1/32
.XXX = ±.005 [13] ANGLES ± 1°
CABLE LENGTH TOLERANCES:
≤12 [305] = +1 [25] / -0
>12 [305] ≤ 60 [1524] = +2 [51] / -0
>60 [1524] ≤ 120 [3048] = +4 [102] / -0
>120 [3048] ≤ 300 [7620] = +6 [152] / -0
>300 [7620] = +5% / -0
ALL DIMENSIONS ARE FOR REFERENCE ONLY AND SUBJECT TO CHANGE WITHOUT NOTICE

SIZE	CAGE CODE	DRAWN BY
A	53919	HBAKKE

REV	REV
A	A

DESCRIPTION	ITEM NO.
BH TRB FEEDTHRU JACK FRONT MOUNT	PE410-06569

SCALE	SHEET
NONE	1 OF 1

WEBSITE	PHONE
www.Pasternack.com	1.866.727.8376 1.949.261.1920

UNLESS OTHERWISE SPECIFIED LEADING DIMENSIONS ARE INCHES DIMENSIONS IN [] ARE MILLIMETERS
TOLERANCES:
.X = ±.2 [5] FRACTIONS
.XX = ±.02 [5] ±.1/32
.XXX = ±.005 [13] ANGLES ± 1°
CABLE LENGTH TOLERANCES:
≤12 [305] = +1 [25] / -0
>12 [305] ≤ 60 [1524] = +2 [51] / -0
>60 [1524] ≤ 120 [3048] = +4 [102] / -0
>120 [3048] ≤ 300 [7620] = +6 [152] / -0
>300 [7620] = +5% / -0
ALL DIMENSIONS ARE FOR REFERENCE ONLY AND SUBJECT TO CHANGE WITHOUT NOTICE

SIZE	CAGE CODE	DRAWN BY
A	53919	HBAKKE

REV	REV
A	A

DESCRIPTION	ITEM NO.
BH TRB FEEDTHRU JACK FRONT MOUNT	PE410-06569

SCALE	SHEET
NONE	1 OF 1

WEBSITE	PHONE
www.Pasternack.com	1.866.727.8376 1.949.261.1920

UNLESS OTHERWISE SPECIFIED LEADING DIMENSIONS ARE INCHES DIMENSIONS IN [] ARE MILLIMETERS
TOLERANCES:
.X = ±.2 [5] FRACTIONS
.XX = ±.02 [5] ±.1/32
.XXX = ±.005 [13] ANGLES ± 1°
CABLE LENGTH TOLERANCES:
≤12 [305] = +1 [25] / -0
>12 [305] ≤ 60 [1524] = +2 [51] / -0
>60 [1524] ≤ 120 [3048] = +4 [102] / -0
>120 [3048] ≤ 300 [7620] = +6 [152] / -0
>300 [7620] = +5% / -0
ALL DIMENSIONS ARE FOR REFERENCE ONLY AND SUBJECT TO CHANGE WITHOUT NOTICE

SIZE	CAGE CODE	DRAWN BY
A	53919	HBAKKE

REV	REV
A	A

DESCRIPTION	ITEM NO.
BH TRB FEEDTHRU JACK FRONT MOUNT	PE410-06569

SCALE	SHEET
NONE	1 OF 1

WEBSITE	PHONE
www.Pasternack.com	1.866.727.8376 1.949.261.1920

UNLESS OTHERWISE SPECIFIED LEADING DIMENSIONS ARE INCHES DIMENSIONS IN [] ARE MILLIMETERS
TOLERANCES:
.X = ±.2 [5] FRACTIONS
.XX = ±.02 [5] ±.1/32
.XXX = ±.005 [13] ANGLES ± 1°
CABLE LENGTH TOLERANCES:
≤12 [305] = +1 [25] / -0
>12 [305] ≤ 60 [1524] = +2 [51] / -0
>60 [1524] ≤ 120 [3048] = +4 [102] / -0
>120 [3048] ≤ 300 [7620] = +6 [152] / -0
>300 [7620] = +5% / -0
ALL DIMENSIONS ARE FOR REFERENCE ONLY AND SUBJECT TO CHANGE WITHOUT NOTICE

SIZE	CAGE CODE	DRAWN BY
A	53919	HBAKKE

REV	REV
A	A

DESCRIPTION	ITEM NO.
BH TRB FEEDTHRU JACK FRONT MOUNT	PE410-06569

SCALE	SHEET
NONE	1 OF 1

WEBSITE	PHONE
www.Pasternack.com	1.866.727.8376 1.949.261.1920

UNLESS OTHERWISE SPECIFIED LEADING DIMENSIONS ARE INCHES DIMENSIONS IN [] ARE MILLIMETERS
TOLERANCES:
.X = ±.2 [5] FRACTIONS
.XX = ±.02 [5] ±.1/32
.XXX = ±.005 [13] ANGLES ± 1°
CABLE LENGTH TOLERANCES:
≤12 [305] = +1 [25] / -0
>12 [305] ≤ 60 [1524] = +2 [51] / -0
>60 [1524] ≤ 120 [3048] = +4 [102] / -0
>120 [3048] ≤ 300 [7620] = +6 [152] / -0
>300 [7620] = +5% / -0
ALL DIMENSIONS ARE FOR REFERENCE ONLY AND SUBJECT TO CHANGE WITHOUT NOTICE

SIZE	CAGE CODE	DRAWN BY
A	53919	HBAKKE

REV	REV
A	A

DESCRIPTION	ITEM NO.
BH TRB FEEDTHRU JACK FRONT MOUNT	PE410-06569

SCALE	SHEET
NONE	1 OF 1

WEBSITE	PHONE
www.Pasternack.com	1.866.727.8376 1.949.261.1920

UNLESS OTHERWISE SPECIFIED LEADING DIMENSIONS ARE INCHES DIMENSIONS IN [] ARE MILLIMETERS
TOLERANCES:
.X = ±.2 [5] FRACTIONS
.XX = ±.02 [5] ±.1/32
.XXX = ±.005 [13] ANGLES ± 1°
CABLE LENGTH TOLERANCES:
≤12 [305] = +1 [25] / -0
>12 [305] ≤ 60 [1524] = +2 [51] / -0
>60 [1524] ≤ 120 [3048] = +4 [102] / -0
>120 [3048] ≤ 300 [7620] = +6 [152] / -0
>300 [7620] = +5% / -0
ALL DIMENSIONS ARE FOR REFERENCE ONLY AND SUBJECT TO CHANGE WITHOUT NOTICE

SIZE	CAGE CODE	DRAWN BY
A	53919	HBAKKE

REV	REV
A	A

DESCRIPTION	ITEM NO.
BH TRB FEEDTHRU JACK FRONT MOUNT	PE410-06569

SCALE	SHEET
NONE	1 OF 1

WEBSITE	PHONE
www.Pasternack.com	1.866.727.8376 1.949.261.1920

UNLESS OTHERWISE SPECIFIED LEADING DIMENSIONS ARE INCHES DIMENSIONS IN [] ARE MILLIMETERS
TOLERANCES:
.X = ±.2 [5] FRACTIONS
.XX = ±.02 [5] ±.1/32
.XXX = ±.005 [13] ANGLES ± 1°
CABLE LENGTH TOLERANCES:
≤12 [305] = +1 [25] / -0
>12 [305] ≤ 60 [1524] = +2 [51] / -0
>60 [1524] ≤ 120 [3048] = +4 [102] / -0
>120 [3048] ≤ 300 [7620] = +6 [152] / -0
>300 [7620] = +5% / -0
ALL DIMENSIONS ARE FOR REFERENCE ONLY AND SUBJECT TO CHANGE WITHOUT NOTICE

SIZE	CAGE CODE	DRAWN BY
A	53919	HBAKKE

REV	REV
A	A

DESCRIPTION	ITEM NO.
BH TRB FEEDTHRU JACK FRONT MOUNT	PE410-06569

SCALE	SHEET
NONE	1 OF 1

WEBSITE	PHONE
www.Pasternack.com	1.866.727.8376 1.949.261.1920

UNLESS OTHERWISE SPECIFIED LEADING DIMENSIONS ARE INCHES DIMENSIONS IN [] ARE MILLIMETERS
TOLERANCES:
.X = ±.2 [5] FRACTIONS
.XX = ±.02 [5] ±.1/32
.XXX = ±.005 [13] ANGLES ± 1°
CABLE LENGTH TOLERANCES:
≤12 [305] = +1 [25] / -0
>12 [305] ≤ 60 [1524] = +2 [51] / -0
>60 [1524] ≤ 120 [3048] = +4 [102] / -0
>120 [3048] ≤ 300 [7620] = +6 [152] / -0
>300 [7620] = +5% / -0
ALL DIMENSIONS ARE FOR REFERENCE