

78 Ohm TRB Jack 1553 Connector Crimp/Solder Attachment for TRB PLUG, NON ISOLATED,

**RF Connectors**  
**Technical Data Sheet**

**PE410-06570**

**Configuration**

- TRB Jack Connector
- MIL-STD-1553
- 78 Ohms
- Straight Body Geometry
- Connector Interface Types: TRB JACK, NON ISOLATED
- 1553 Design

**Features**

- Max. Operating Frequency 500 MHz
- Gold 30 micro inches Plated Bronze Contact
- Contact plating according to ASTM-B-488

**Applications**

- General Purpose Test
- Custom Cable Assemblies
- TRB JACK
- NON ISOLATED

**Description**

TRB jack is supplied with grounding tab. Bulkhead jack appears on the rear side of the panel and mates to TRB Plug. It is RoHS compliant.

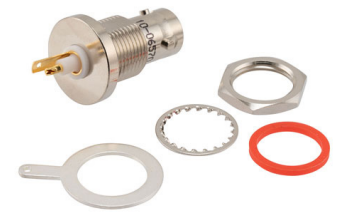
**Electrical Specifications**

Description	Minimum	Typical	Maximum	Units
Frequency Range	DC		500	MHz
Impedance		78		Ohms

**Mechanical Specifications**

Size	
Length	1.34 in [34.10 mm]
Width	0.69 in [17.50 mm]
Height	0.69 in [17.50 mm]
Weight	0.04 lbs [19.96 g]

Click the following link (or enter part number in "SEARCH" on website) to obtain additional part information including price, inventory and certifications: [78 Ohm TRB Jack 1553 Connector Crimp/Solder Attachment for TRB PLUG, NON ISOLATED, PE410-06570](#)



78 Ohm TRB Jack 1553 Connector Crimp/Solder Attachment for TRB PLUG, NON ISOLATED,

## RF Connectors Technical Data Sheet

**PE410-06570**

### Material Specifications

Description	Material	Plating
Contact	Bronze	Gold 30 micro inches ASTM-B-488
Insulation	Teflon	
Outer Conductor	Phosphor Bronze	Gold 30 micro inches ASTM-B-488
Body	Brass	Nickel ASTM-B-733
Gasket	Rubber	
Crimp Sleeve	Brass	Nickel

### Environmental Specifications

#### Temperature

Operating Range -55 to +200 deg C

**Compliance Certifications** (see [product page](#) for current document)

### Plotted and Other Data

Notes:

78 Ohm TRB Jack 1553 Connector Crimp/Solder Attachment for TRB PLUG, NON ISOLATED, from Pasternack Enterprises has same day shipment for domestic and International orders. Our RF, microwave and millimeter wave products maintain a 99.4% availability and are part of the broadest selection in the industry.

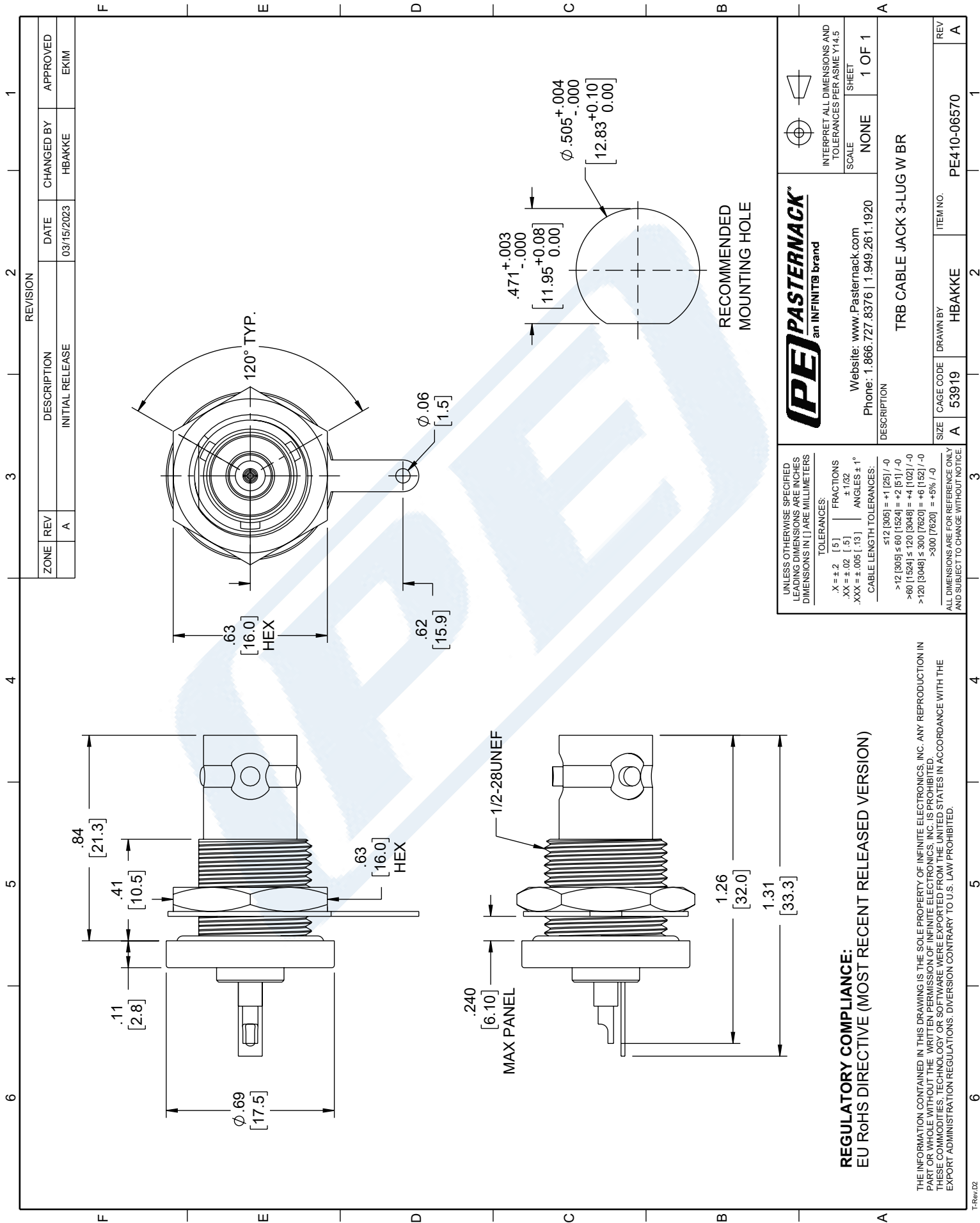
Click the following link (or enter part number in "SEARCH" on website) to obtain additional part information including price, inventory and certifications: [78 Ohm TRB Jack 1553 Connector Crimp/Solder Attachment for TRB PLUG, NON ISOLATED, PE410-06570](#)

URL: <https://www.pasternack.com/trb-jack-trb-jack-non-isolated-connector-pe410-06570-p.aspx>

The information contained in this document is accurate to the best of our knowledge and representative of the part described herein. It may be necessary to make modifications to the part and/or the documentation of the part, in order to implement improvements. Pasternack reserves the right to make such changes as required. Unless otherwise stated, all specifications are nominal. Pasternack does not make any representation or warranty regarding the suitability of the part described herein for any particular purpose, and Pasternack does not assume any liability arising out of the use of any part or documentation.

# PE410-06570 CAD Drawing

78 Ohm TRB Jack 1553 Connector Crimp/Solder Attachment for TRB PLUG, NON ISOLATED,



ZONE		REV		DESCRIPTION		DATE		CHANGED BY		APPROVED	
	A			INITIAL RELEASE		03/15/2023		HBAKKE		EKIM	

**PE PASTERNAK**  
an INFINITI® brand

Website: [www.Pasternack.com](http://www.Pasternack.com)  
Phone: 1.866.727.8376 | 1.949.261.1920

UNLESS OTHERWISE SPECIFIED  
LEADING DIMENSIONS ARE INCHES  
DIMENSIONS IN [ ] ARE MILLIMETERS

TOLERANCES:  
 .X = ±.2 [ .5 ] FRACTIONS  
 .XX = ±.02 [ .5 ] ±.1/32  
 .XXX = ±.005 [ .13 ] ANGLES ± 1°  
 CABLE LENGTH TOLERANCES:  
 ≤12 [305] = +1 [25] / -0  
 >12 [305] ≤ 60 [1524] = +2 [51] / -0  
 >60 [1524] ≤ 120 [3048] = +4 [102] / -0  
 >120 [3048] ≤ 300 [7620] = +6 [152] / -0  
 >300 [7620] = +5% / -0

ALL DIMENSIONS ARE FOR REFERENCE ONLY  
AND SUBJECT TO CHANGE WITHOUT NOTICE

INTERPRET ALL DIMENSIONS AND TOLERANCES PER ASME Y14.5  
SCALE NONE SHEET 1 OF 1

DESCRIPTION TRB CABLE JACK 3-LUG W BR

SIZE	CAGE CODE	DRAWN BY	ITEM NO.
A	53919	HBAKKE	PE410-06570

**REGULATORY COMPLIANCE:**  
EU RoHS DIRECTIVE (MOST RECENT RELEASED VERSION)

THE INFORMATION CONTAINED IN THIS DRAWING IS THE SOLE PROPERTY OF INFINITE ELECTRONICS, INC. ANY REPRODUCTION IN PART OR WHOLE WITHOUT THE WRITTEN PERMISSION OF INFINITE ELECTRONICS, INC. IS PROHIBITED. THESE COMMODITIES, TECHNOLOGY OR SOFTWARE WERE EXPORTED FROM THE UNITED STATES IN ACCORDANCE WITH THE EXPORT ADMINISTRATION REGULATIONS. DIVERSION CONTRARY TO U.S. LAW PROHIBITED.