



78 Ohm TRB Jack 1553 Connector Crimp/Solder Attachment for 30-02003, TWC-78-1,

## RF Connectors Technical Data Sheet

**PE410-06575-231**

### Configuration

- TRB Jack Connector
- MIL-STD-1553
- 78 Ohms
- Straight Body Geometry
- Connector Interface Types: 30-02003, TWC-78-1, TRB JACK
- 1553 Design

### Features

- Max. Operating Frequency 500 MHz
- Gold 30 micro inches Plated Bronze Contact
- Contact plating according to ASTM-B-488

### Applications

- General Purpose Test
- Custom Cable Assemblies
- 30-02003
- TWC-78-1

### Description

TRB cable jacks use the bayonet coupling design per industry standards. The center socket receives and secures the pin contact from a TRB plug. The intermediate cylindrical contacts form the outer connection. This model is designed to fit high-temperature 30-02003 or TWC-78-1 twinaxial cable. It is RoHS compliant.

### Electrical Specifications

Description	Minimum	Typical	Maximum	Units
Frequency Range	DC		500	MHz
Impedance		78		Ohms

### Mechanical Specifications

Size	
Length	1.31 in [33.40 mm]
Width	0.57 in [14.50 mm]
Height	0.57 in [14.50 mm]
Weight	0.05 lbs [22.68 g]

Click the following link (or enter part number in "SEARCH" on website) to obtain additional part information including price, inventory and certifications: [78 Ohm TRB Jack 1553 Connector Crimp/Solder Attachment for 30-02003, TWC-78-1, PE410-06575-231](#)



78 Ohm TRB Jack 1553 Connector Crimp/Solder Attachment for 30-02003, TWC-78-1,

## RF Connectors Technical Data Sheet

**PE410-06575-231**

### Material Specifications

Description	Material	Plating
Contact	Bronze	Gold 30 micro inches ASTM-B-488
Insulation	Teflon	
Outer Conductor	Phosphor Bronze	Gold 30 micro inches ASTM-B-488
Body	Brass	Nickel ASTM-B-733
Gasket	Rubber	
Crimp Sleeve	Brass	Nickel

### Environmental Specifications

#### Temperature

Operating Range -55 to +200 deg C

**Compliance Certifications** (see [product page](#) for current document)

### Plotted and Other Data

Notes:

78 Ohm TRB Jack 1553 Connector Crimp/Solder Attachment for 30-02003, TWC-78-1, from Pasternack Enterprises has same day shipment for domestic and International orders. Our RF, microwave and millimeter wave products maintain a 99.4% availability and are part of the broadest selection in the industry.

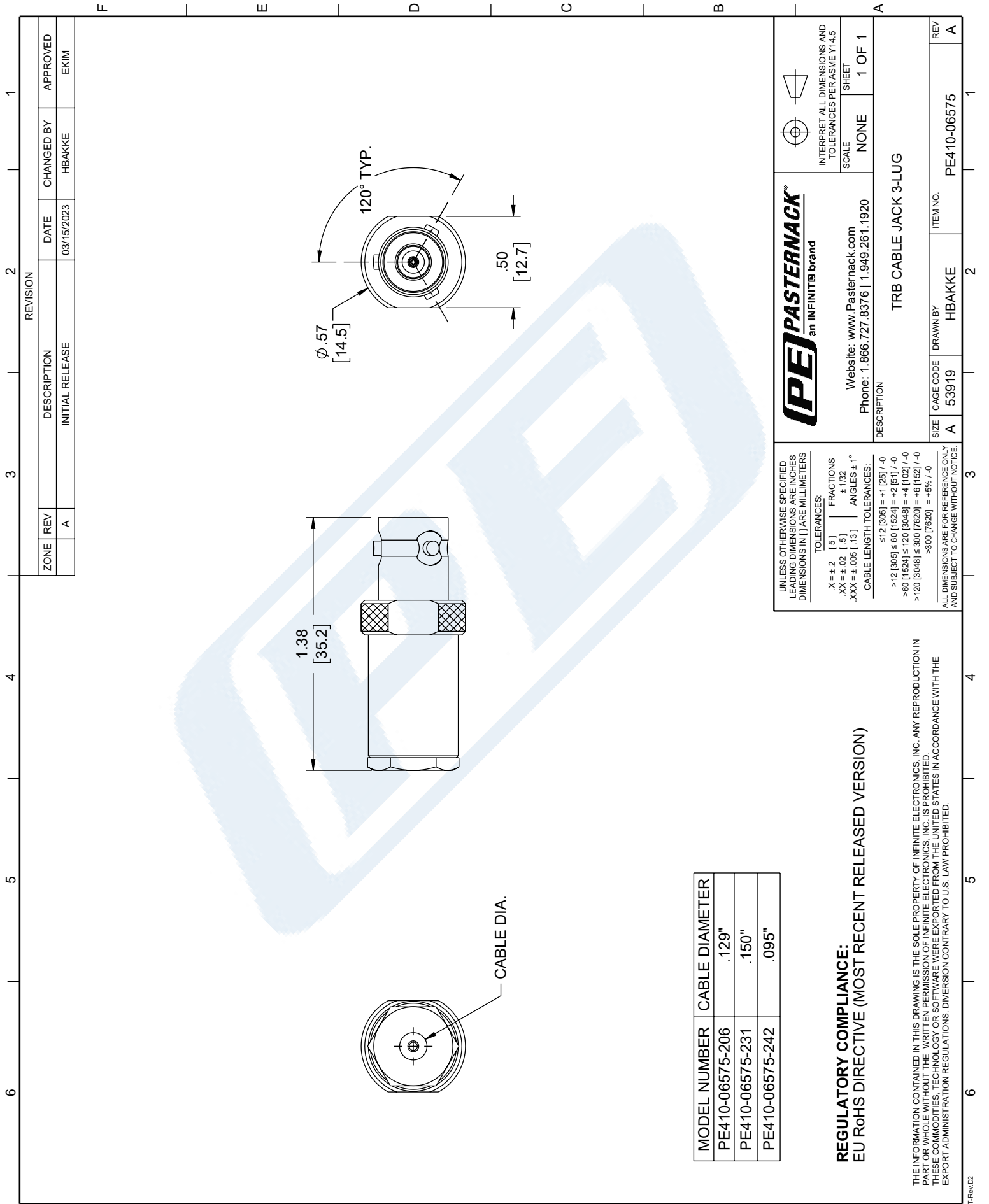
Click the following link (or enter part number in "SEARCH" on website) to obtain additional part information including price, inventory and certifications: [78 Ohm TRB Jack 1553 Connector Crimp/Solder Attachment for 30-02003, TWC-78-1, PE410-06575-231](#)

URL: <https://www.pasternack.com/trb-jack-30-02003-twc-78-1-connector-pe410-06575-231-p.aspx>

The information contained in this document is accurate to the best of our knowledge and representative of the part described herein. It may be necessary to make modifications to the part and/or the documentation of the part, in order to implement improvements. Pasternack reserves the right to make such changes as required. Unless otherwise stated, all specifications are nominal. Pasternack does not make any representation or warranty regarding the suitability of the part described herein for any particular purpose, and Pasternack does not assume any liability arising out of the use of any part or documentation.

# PE410-06575-231 CAD Drawing

78 Ohm TRB Jack 1553 Connector Crimp/Solder Attachment for 30-02003, TWC-78-1,



ZONE		REVISION		DATE		APPROVED	
A	INITIAL RELEASE	03/15/2023	HBAKKE	03/15/2023	HBAKKE	03/15/2023	EKIM

<b>PASTERNAK</b> an INFINITI® brand		INTERPRET ALL DIMENSIONS AND TOLERANCES PER ASME Y14.5 SCALE: NONE SHEET: 1 OF 1
--	--	--

Website: <a href="http://www.Pasternack.com">www.Pasternack.com</a> Phone: 1.866.727.8376   1.949.261.1920		DESCRIPTION: TRB CABLE JACK 3-LUG
SIZE: A	CAGE CODE: 53919	ITEM NO.: PE410-06575
DRAWN BY: HBAKKE		REV: A

UNLESS OTHERWISE SPECIFIED LEADING DIMENSIONS ARE IN INCHES DIMENSIONS IN [ ] ARE MILLIMETERS

TOLERANCES:

.X = ±.2	[.5]	FRACTIONS
.XX = ±.02	[.13]	± 1/32
.XXX = ±.005	[.13]	ANGLES ± 1°

CABLE LENGTH TOLERANCES:

≤ 12 [305]	± .125 / -0
> 12 [305] ≤ 60 [1524]	± .25 / -0
> 60 [1524] ≤ 120 [3048]	± .50 / -0
> 120 [3048] ≤ 300 [7620]	± 1.00 / -0
> 300 [7620]	± 2.00 / -0

ALL DIMENSIONS ARE FOR REFERENCE ONLY AND SUBJECT TO CHANGE WITHOUT NOTICE

MODEL NUMBER	CABLE DIAMETER
PE410-06575-206	.129"
PE410-06575-231	.150"
PE410-06575-242	.095"

**REGULATORY COMPLIANCE:**  
 EU RoHS DIRECTIVE (MOST RECENT RELEASED VERSION)

THE INFORMATION CONTAINED IN THIS DRAWING IS THE SOLE PROPERTY OF INFINITE ELECTRONICS, INC. ANY REPRODUCTION IN PART OR WHOLE WITHOUT THE WRITTEN PERMISSION OF INFINITE ELECTRONICS, INC. IS PROHIBITED. THESE COMMODITIES, TECHNOLOGY OR SOFTWARE WERE EXPORTED FROM THE UNITED STATES IN ACCORDANCE WITH THE EXPORT ADMINISTRATION REGULATIONS. DIVERSION CONTRARY TO U.S. LAW PROHIBITED.