

## TRB Insulated Bulkhead 2-Lug Jack Adapter with Straight Feed-Through Mounting Mechanism

### RF Adapters Technical Data Sheet

**PE410-06580**

#### Configuration

- TRB 2-Lug Jack Connector 1
- TRB 2-Lug Jack Connector 2
- Straight Body Geometry
- Bulkhead Mount Method

#### Applications

- General Purpose Test
- Rack Mounted Equipment

#### Description

Pasternack's PE410-06580 bulkhead TRB 2-Lug jack to TRB 2-Lug jack bulkhead adapter is part of our full line of RF components available for same-day shipping. Our TRB 2-Lug to TRB 2-Lug adapter has a jack to jack gender configuration. PE410-06580 TRB 2-Lug jack to TRB 2-Lug jack adapter operates to 500 MHz. This RF TRB 2-Lug bulkhead to TRB 2-Lug bulkhead adapter allows designers to create external connections on their product enclosures, and can be used in a variety of other rack mount and panel mount applications.

RF adapters are often used to enable connections between two connector types that would otherwise not mate. Certain adapter configurations can also be used to protect connectors on expensive equipment where the number of connect/disconnect cycles is high. An RF, microwave or millimeter wave adapter is connected to the equipment, and the commonly changed connection is made with the adapter which can be easily replaced when it wears out after high usage; such adapters are referred to as connector savers. Pasternack also offers bulkhead, panel mount, hermetically sealed, reverse polarity, and isolated ground adapter varieties to serve all of your RF, microwave and millimeter wave needs.

#### Electrical Specifications

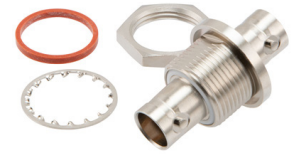
| Description            | Minimum | Typical | Maximum | Units |
|------------------------|---------|---------|---------|-------|
| Frequency Range        | DC      |         | 500     | MHz   |
| Operating Voltage (AC) |         |         | 5,000   | Vrms  |

#### Mechanical Specifications

| Size   |                    |
|--------|--------------------|
| Length | 1.35 in [34.29 mm] |
| Width  | 0.75 in [19.05 mm] |
| Height | 0.75 in [19.05 mm] |
| Weight | 0.07 lbs [29.94 g] |

| Description        | Connector 1    | Connector 2    |
|--------------------|----------------|----------------|
| Type               | TRB 2-Lug Jack | TRB 2-Lug Jack |
| Polarity           | Standard       | Standard       |
| Mating Cycles, Min | 500            | 500            |

Click the following link (or enter part number in "SEARCH" on website) to obtain additional part information including price, inventory and certifications: [TRB Insulated Bulkhead 2-Lug Jack Adapter with Straight Feed-Through Mounting Mechanism PE410-06580](#)



## TRB Insulated Bulkhead 2-Lug Jack Adapter with Straight Feed-Through Mounting Mechanism

### RF Adapters Technical Data Sheet

**PE410-06580**

#### Material Specifications

| Description     | Connector 1      |         | Connector 2      |         |
|-----------------|------------------|---------|------------------|---------|
|                 | Material         | Plating | Material         | Plating |
| Type            | TRB 2-Lug Jack   |         | TRB 2-Lug Jack   |         |
| Insulation      | PTFE             |         | PTFE             |         |
| Outer Conductor | Beryllium Copper | Gold    | Beryllium Copper | Gold    |
| Body            | Brass            | Nickel  | Brass            | Nickel  |
| Gasket          | Silicone         |         | Silicone         |         |
| Washer          | Phosphor Bronze  | Nickel  | Phosphor Bronze  | Nickel  |
| Coupling Nut    | Brass            | Nickel  | Brass            | Nickel  |

#### Environmental Specifications

##### Temperature

Operating Range

-65 to +165 °C

**Compliance Certifications** (see [product page](#) for current document)

#### Plotted and Other Data

Notes:

TRB Insulated Bulkhead 2-Lug Jack Adapter with Straight Feed-Through Mounting Mechanism from Pasternack Enterprises has same day shipment for domestic and International orders. Our RF, microwave and millimeter wave products maintain a 99.4% availability and are part of the broadest selection in the industry.

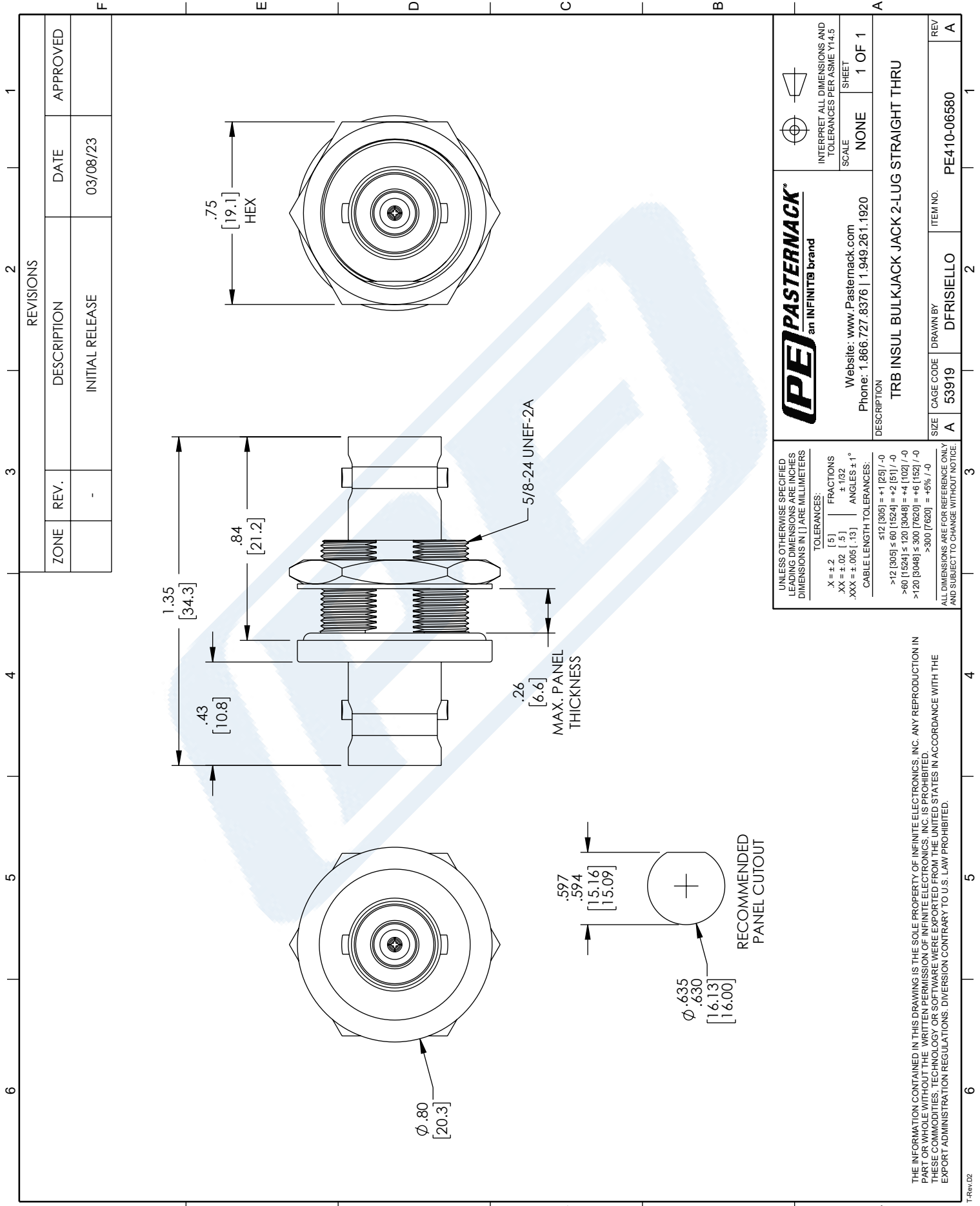
Click the following link (or enter part number in "SEARCH" on website) to obtain additional part information including price, inventory and certifications: [TRB Insulated Bulkhead 2-Lug Jack Adapter with Straight Feed-Through Mounting Mechanism PE410-06580](#)

URL: <https://www.pasternack.com/bulkhead-mount-trb-2-lug-jack-to-trb-2-lug-jack-bulkhead-mount-adapter-pe410-06580-p.aspx>

The information contained in this document is accurate to the best of our knowledge and representative of the part described herein. It may be necessary to make modifications to the part and/or the documentation of the part, in order to implement improvements. Pasternack reserves the right to make such changes as required. Unless otherwise stated, all specifications are nominal. Pasternack does not make any representation or warranty regarding the suitability of the part described herein for any particular purpose, and Pasternack does not assume any liability arising out of the use of any part or documentation.

# PE410-06580 CAD Drawing

## TRB Insulated Bulkhead 2-Lug Jack Adapter with Straight Feed-Through Mounting Mechanism



| REVISIONS |      |                 |
|-----------|------|-----------------|
| ZONE      | REV. | DESCRIPTION     |
|           | -    | INITIAL RELEASE |

| DATE     | APPROVED |
|----------|----------|
| 03/08/23 |          |

**PE PASTERNAK**  
an INFINITI® brand

Website: [www.Pasternack.com](http://www.Pasternack.com)  
Phone: 1.866.727.8376 | 1.949.261.1920

UNLESS OTHERWISE SPECIFIED  
LEADING DIMENSIONS ARE INCHES  
DIMENSIONS IN [ ] ARE MILLIMETERS

TOLERANCES:  
X = ±.2 [5] FRACTIONS  
XX = ±.02 [.5] ± 1/32  
.XXX = ±.005 [.13] ANGLES ± 1°  
CABLE LENGTH TOLERANCES:  
≤12 [305] ±.1 [25] / -0  
>12 [305] ≤ 60 [1524] = ±2 [51] / -0  
>60 [1524] ≤ 120 [3048] = ±4 [102] / -0  
>120 [3048] ≤ 300 [7620] = ±6 [152] / -0  
>300 [7620] = ±5% / -0

ALL DIMENSIONS ARE FOR REFERENCE ONLY  
AND SUBJECT TO CHANGE WITHOUT NOTICE

INTERPRET ALL DIMENSIONS AND  
TOLERANCES PER ASME Y14.5

SCALE NONE SHEET 1 OF 1

DESCRIPTION  
TRB INSUL BULKJACK JACK 2-LUG STRAIGHT THRU

SIZE A CAGE CODE 53919 DRAWN BY DFRISIELLO ITEM NO. PE410-06580

THE INFORMATION CONTAINED IN THIS DRAWING IS THE SOLE PROPERTY OF INFINITE ELECTRONICS, INC. ANY REPRODUCTION IN PART OR WHOLE WITHOUT THE WRITTEN PERMISSION OF INFINITE ELECTRONICS, INC. IS PROHIBITED. THESE COMMODITIES, TECHNOLOGY OR SOFTWARE WERE EXPORTED FROM THE UNITED STATES IN ACCORDANCE WITH THE EXPORT ADMINISTRATION REGULATIONS. DIVERSION CONTRARY TO U.S. LAW PROHIBITED.