



TRB Jack with Ground Lug

RF Connectors Technical Data Sheet

PE410-06581

Configuration

- TRB Jack Connector
- Straight Body Geometry
- Bulkhead

Features

- Max. Operating Frequency 500 MHz

Applications

- General Purpose Test
- Rack and Panel Mount Applications

Description

Pasternack's PE410-06581, TRB, Standard, Connector is part of our full line of RF components available for same-day shipping. Our TRB jack connector operates up to a maximum frequency of 500 MHz. This TRB bulkhead connector allows designers to create external connections on their product enclosures, and can be used in a variety of other rack mount and panel mount applications.

Our TRB jack bulkhead connector PE410-06581 datasheet specifications and drawing with dimensions are shown below in this PDF. Pasternack's broad catalog of RF, microwave and millimeter wave connectors allows designers to configure and customize their signal connections however they like. Whether the need is to provide an I/O for a board design, or simply create a custom cable assembly configuration, Pasternack has the right connector for the job. Pasternack can also expertly build your custom cable assemblies for you and ship same-day.

Electrical Specifications

Description	Minimum	Typical	Maximum	Units
Frequency Range	DC		500	MHz
Operating Voltage (AC)			5,000	Vrms

Mechanical Specifications

Size

Length	1.13 in [28.70 mm]
Width	0.56 in [14.22 mm]
Height	0.56 in [14.22 mm]
Weight	0.01 lbs [4.54 g]
Mating Cycles	500 Cycles

Click the following link (or enter part number in "SEARCH" on website) to obtain additional part information including price, inventory and certifications: [TRB Jack with Ground Lug PE410-06581](#)



TRB Jack with Ground Lug

RF Connectors
Technical Data Sheet

PE410-06581

Material Specifications

Description	Material	Plating
Insulation	PTFE	
Outer Conductor	Beryllium Copper	Gold
Body	Brass	Nickel
Washer	Phosphor Bronze	Nickel

Environmental Specifications

Temperature

Operating Range -65 to +165 deg C

Compliance Certifications (see [product page](#) for current document)

Plotted and Other Data

Notes:

TRB Jack with Ground Lug from Pasternack Enterprises has same day shipment for domestic and International orders. Our RF, microwave and millimeter wave products maintain a 99.4% availability and are part of the broadest selection in the industry.

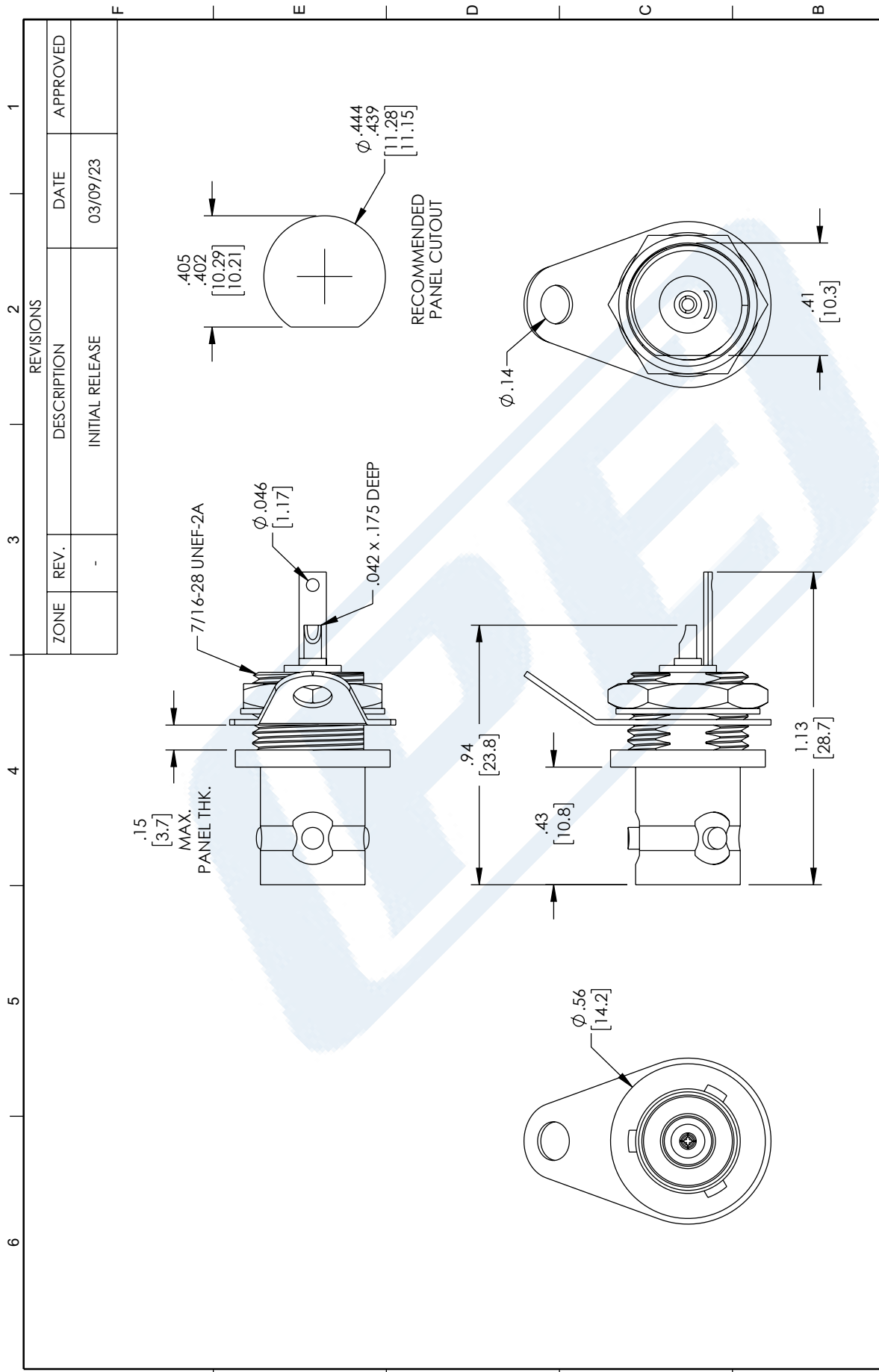
Click the following link (or enter part number in "SEARCH" on website) to obtain additional part information including price, inventory and certifications: [TRB Jack with Ground Lug PE410-06581](#)

URL: <https://www.pasternack.com/trb-jack-connector-pe410-06581-p.aspx>

The information contained in this document is accurate to the best of our knowledge and representative of the part described herein. It may be necessary to make modifications to the part and/or the documentation of the part, in order to implement improvements. Pasternack reserves the right to make such changes as required. Unless otherwise stated, all specifications are nominal. Pasternack does not make any representation or warranty regarding the suitability of the part described herein for any particular purpose, and Pasternack does not assume any liability arising out of the use of any part or documentation.

PE410-06581 CAD Drawing

TRB Jack with Ground Lug



REVISIONS		DATE		APPROVED	
ZONE	REV.	DESCRIPTION			
	-	INITIAL RELEASE	03/09/23		

 PASTERNAK an INFINITI brand	INTERPRET ALL DIMENSIONS AND TOLERANCES PER ASME Y14.5 SCALE: NONE SHEET: 1 OF 1
	Website: www.Pasternack.com Phone: 1.866.727.8376 1.949.261.1920
DESCRIPTION: BULKHEAD FRONT-MOUNT TRB JACK W/GND LUG	
SIZE: A CAGE CODE: 53919 DRAWN BY: DFRISIELLO	ITEM NO.: PE410-06581 REV: A

UNLESS OTHERWISE SPECIFIED LEADING DIMENSIONS ARE INCHES DIMENSIONS IN [] ARE MILLIMETERS TOLERANCES: .X = ±.2 [5] FRACTIONS ±.1/32 .XX = ±.02 [.5] ANGLES ± 1° .XXX = ±.005 [.13] CABLE LENGTH TOLERANCES: ≤12 [305] = +1 [25] / -0 >12 [305] ≤ 60 [1524] = +2 [51] / -0 >60 [1524] ≤ 120 [3048] = +4 [102] / -0 >120 [3048] ≤ 300 [7620] = +8 [152] / -0 >300 [7620] = +5% / -0 ALL DIMENSIONS ARE FOR REFERENCE ONLY AND SUBJECT TO CHANGE WITHOUT NOTICE	THE INFORMATION CONTAINED IN THIS DRAWING IS THE SOLE PROPERTY OF INFINITE ELECTRONICS, INC. ANY REPRODUCTION IN PART OR WHOLE WITHOUT THE WRITTEN PERMISSION OF INFINITE ELECTRONICS, INC. IS PROHIBITED. THESE COMMODITIES, TECHNOLOGY OR SOFTWARE WERE EXPORTED FROM THE UNITED STATES IN ACCORDANCE WITH THE EXPORT ADMINISTRATION REGULATIONS. DIVERSION CONTRARY TO U.S. LAW PROHIBITED.
---	--