



78 Ohm TRB Jack 1553 Connector Crimp/
Solder Attachment for TRB PLUG,

RF Connectors
Technical Data Sheet

PE410-06592TL

Configuration

- TRB Jack Connector
- MIL-STD-1553
- 78 Ohms
- Straight Body Geometry
- Connector Interface Types: TRB JACK
- 1553 Design

Features

- Max. Operating Frequency 500 MHz
- Gold 30 micro inches Plated Bronze Contact
- Contact plating according to ASTM-B-488

Applications

- General Purpose Test
- Custom Cable Assemblies
- TRB JACK

Description

This Jack connector is BULKHEAD FRONT-MOUNT TRB JACK and connects to TRB Plug

Electrical Specifications

Description	Minimum	Typical	Maximum	Units
Frequency Range	DC		500	MHz
Impedance		78		Ohms

Mechanical Specifications

Size	
Length	0.96 in [24.50 mm]
Width	0.56 in [14.20 mm]
Height	0.56 in [14.20 mm]
Weight	0.03 lbs [13.61 g]

Click the following link (or enter part number in "SEARCH" on website) to obtain additional part information including price, inventory and certifications: [78 Ohm TRB Jack 1553 Connector Crimp/Solder Attachment for TRB PLUG, PE410-06592TL](#)



78 Ohm TRB Jack 1553 Connector Crimp/
Solder Attachment for TRB PLUG,

RF Connectors Technical Data Sheet

PE410-06592TL

Material Specifications

Description	Material	Plating
Contact	Bronze	Gold 30 micro inches ASTM-B-488
Insulation	Teflon	
Outer Conductor	Phosphor Bronze	Gold 30 micro inches ASTM-B-488
Body	Brass	Nickel ASTM-B-733
Gasket	Rubber	
Crimp Sleeve	Brass	Nickel

Environmental Specifications

Temperature

Operating Range -55 to +200 deg C

Compliance Certifications (see [product page](#) for current document)

Plotted and Other Data

Notes:

78 Ohm TRB Jack 1553 Connector Crimp/Solder Attachment for TRB PLUG, from Pasternack Enterprises has same day shipment for domestic and International orders. Our RF, microwave and millimeter wave products maintain a 99.4% availability and are part of the broadest selection in the industry.

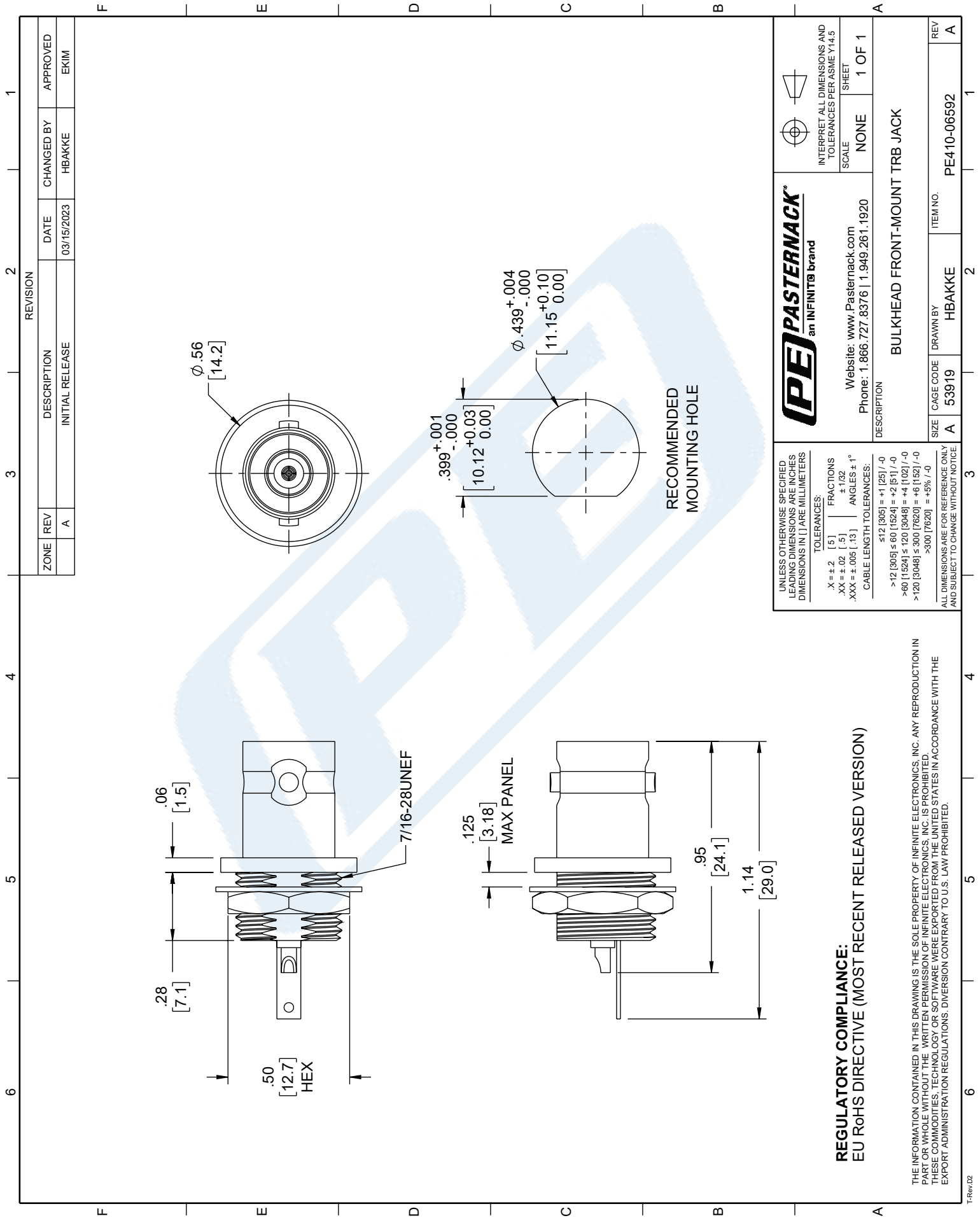
Click the following link (or enter part number in "SEARCH" on website) to obtain additional part information including price, inventory and certifications: [78 Ohm TRB Jack 1553 Connector Crimp/Solder Attachment for TRB PLUG, PE410-06592TL](#)

URL: <https://www.pasternack.com/trb-jack-trb-jack-connector-pe410-06592tl-p.aspx>

The information contained in this document is accurate to the best of our knowledge and representative of the part described herein. It may be necessary to make modifications to the part and/or the documentation of the part, in order to implement improvements. Pasternack reserves the right to make such changes as required. Unless otherwise stated, all specifications are nominal. Pasternack does not make any representation or warranty regarding the suitability of the part described herein for any particular purpose, and Pasternack does not assume any liability arising out of the use of any part or documentation.

PE410-06592TL CAD Drawing

78 Ohm TRB Jack 1553 Connector Crimp/Solder Attachment for TRB PLUG,



ZONE	REV	DESCRIPTION	DATE	CHANGED BY	APPROVED
	A	INITIAL RELEASE	03/15/2023	HBAKKE	EKIM

REVISION

PE PASTERNAK
an INFINITIB brand

Website: www.Pasternack.com
Phone: 1.866.727.8376 | 1.949.261.1920

UNLESS OTHERWISE SPECIFIED
LEADING DIMENSIONS ARE INCHES
DIMENSIONS IN [] ARE MILLIMETERS

TOLERANCES:
 .X = ±.2 [5] FRACTIONS
 .XX = ±.02 [.5] ±.1/32
 .XXX = ±.005 [.13] ANGLES ± 1°
 CABLE LENGTH TOLERANCES:
 ≤12 [305] = +1 [25] / -0
 >12 [305] ≤ 60 [1524] = +2 [51] / -0
 >60 [1524] ≤ 120 [3048] = +4 [102] / -0
 >120 [3048] ≤ 300 [7620] = +6 [152] / -0
 >300 [7620] = +5% / -0

ALL DIMENSIONS ARE FOR REFERENCE ONLY
AND SUBJECT TO CHANGE WITHOUT NOTICE

INTERPRET ALL DIMENSIONS AND
TOLERANCES PER ASME Y14.5
SCALE NONE SHEET 1 OF 1

BULKHEAD FRONT-MOUNT TRB JACK

DESCRIPTION

SIZE A CAGE CODE 53919 DRAWN BY HBAKKE ITEM NO. PE410-06592 REV A