



MHV Female Connector Solder Attachment 4 Hole Flange Mount Solder Cup Terminal, .500 inch Threaded Hole Spacing

RF Connectors Technical Data Sheet

PE4228

Configuration

- MHV Female Connector
- MIL-STD-348A
- 50 Ohms
- Straight Body Geometry
- Solder Cup Interface Type
- Solder Attachment
- 4 Hole Flange

Features

- Max. Operating Frequency 300 MHz
- Gold Plated Brass Contact
- 30 µin minimum contact plating

Applications

- General Purpose Test
- Rack and Panel Mount Applications

Description

Pasternack's PE4228 MHV female connector solder attachment 4 hole flange mount solder cup terminal, .500 inch threaded hole spacing is part of our full line of RF components available for same-day shipping. Our MHV female connector operates up to a maximum frequency of 300 MHz. This MHV 4 hole flange connector allows designers to create external connections on their product enclosures, and can be used in a variety of other rack mount and panel mount applications.

Our MHV female 4 hole flange connector PE4228 datasheet specifications and drawing with dimensions are shown below in this PDF. Pasternack's broad catalog of RF, microwave and millimeter wave connectors allows designers to configure and customize their signal connections however they like. Whether the need is to provide an I/O for a board design, or simply create a custom cable assembly configuration, Pasternack has the right connector for the job. Pasternack can also expertly build your custom cable connector assemblies for you and ship same-day.

Electrical Specifications

Description	Minimum	Typical	Maximum	Units
Frequency Range	DC		300	MHz
Operating Voltage (AC)			1,600	Vrms

Mechanical Specifications

Size

Length	1.429 in [36.3 mm]
Width/Dia.	0.689 in [17.50 mm]
Height	0.689 in [17.5 mm]
Weight	0.027 lbs [12.25 g]

Click the following link (or enter part number in "SEARCH" on website) to obtain additional part information including price, inventory and certifications: [MHV Female Connector Solder Attachment 4 Hole Flange Mount Solder Cup Terminal, .500 inch Threaded Hole Spacing PE4228](#)



MHV Female Connector Solder Attachment 4 Hole Flange
Mount Solder Cup Terminal, .500 inch Threaded Hole Spacing

RF Connectors Technical Data Sheet

PE4228

Material Specifications

Description	Material	Plating
Contact	Brass	Gold 30 µin minimum
Insulation	PTFE	
Body	Brass	Nickel 100 µin minimum

Environmental Specifications

Temperature

Operating Range -65 to +165 deg C

Compliance Certifications (see [product page](#) for current document)

Plotted and Other Data

Notes:

MHV Female Connector Solder Attachment 4 Hole Flange Mount Solder Cup Terminal, .500 inch Threaded Hole Spacing from Pasternack Enterprises has same day shipment for domestic and International orders. Our RF, microwave and millimeter wave products maintain a 99% availability and are part of the broadest selection in the industry.

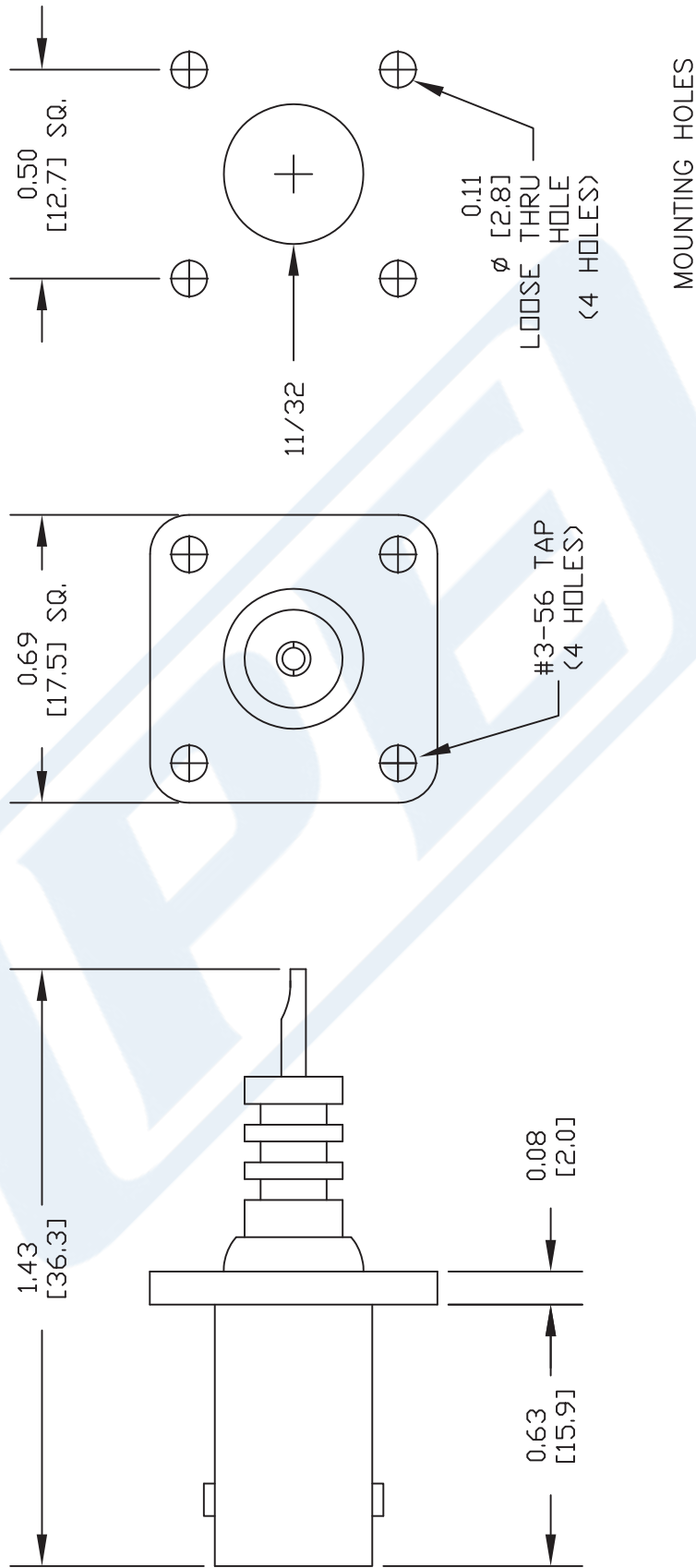
Click the following link (or enter part number in "SEARCH" on website) to obtain additional part information including price, inventory and certifications: [MHV Female Connector Solder Attachment 4 Hole Flange Mount Solder Cup Terminal, .500 inch Threaded Hole Spacing PE4228](#)

URL: <https://www.pasternack.com/mhv-female-standard-solder-cup-terminal-connector-pe4228-p.aspx>

The information contained in this document is accurate to the best of our knowledge and representative of the part described herein. It may be necessary to make modifications to the part and/or the documentation of the part, in order to implement improvements. Pasternack reserves the right to make such changes as required. Unless otherwise stated, all specifications are nominal. Pasternack does not make any representation or warranty regarding the suitability of the part described herein for any particular purpose, and Pasternack does not assume any liability arising out of the use of any part or documentation.

PE4228 CAD Drawing

MHV Female Connector Solder Attachment 4 Hole Flange Mount
Solder Cup Terminal, .500 inch Threaded Hole Spacing



NOTES:
 1. UNLESS OTHERWISE SPECIFIED ALL DIMENSIONS ARE NOMINAL.
 2. ALL SPECIFICATIONS ARE SUBJECT TO CHANGE WITHOUT NOTICE AT ANY TIME.
 3. DIMENSIONS ARE IN INCHES [mm].
 4. FITS MIL-C-17 AND EQUIVALENT CABLES.

DWG TITLE
PE4228

FSCM NO. 53919

CAD FILE 012113-B
 SCALE N/A
 SIZE A
 2231

PE PASTERNAK®
 Pasternack Enterprises, Inc.
 P.O. Box 16759 | Irvine | CA | 92623
 Phone: (949) 261-1920 | Fax: (949) 261-7451
 Website: www.pasternack.com | E-Mail: sales@pasternack.com