



3/4 inch-20 Twinax Female Connector Clamp/ Solder Attachment for PE-S330

RF Connectors Technical Data Sheet

PE4346

Configuration

- 3/4"-20 Twinax Female Connector
- 95 Ohms
- Straight Body Geometry
- PE-S330 Interface Type
- Clamp/Solder Attachment

Features

- Gold Plated Brass Contact
- 30 µin minimum contact plating

Applications

- General Purpose Test
- Custom Cable Assemblies

Description

Pasternack's PE4346 3/4 inch-20 Twinax female connector clamp/solder attachment for PE-S330 is part of our full line of RF components available for same-day shipping.

Our 95 ohm 3/4 inch-20 Twinax female connector PE4346 datasheet specifications and drawing with dimensions are shown below in this PDF. Pasternack's broad catalog of RF, microwave and millimeter wave connectors allows designers to configure and customize their signal connections however they like. Whether the need is to provide an I/O for a board design, or simply create a custom cable assembly configuration, Pasternack has the right connector for the job. Pasternack can also expertly build your custom cable connector assemblies for you and ship same-day.

Mechanical Specifications

Size

Length	1.65 in [41.91 mm]
Width/Dia.	0.75 in [19.05 mm]
Weight	0.123 lbs [55.79 g]

Material Specifications

Description	Material	Plating
Contact	Brass	Gold 30 µin minimum
Insulation	PTFE	
Body	Brass	Nickel 100 µin minimum

Click the following link (or enter part number in "SEARCH" on website) to obtain additional part information including price, inventory and certifications: [3/4 inch-20 Twinax Female Connector Clamp/Solder Attachment for PE-S330 PE4346](#)



3/4 inch-20 Twinax Female Connector Clamp/ Solder Attachment for PE-S330

RF Connectors Technical Data Sheet

PE4346

Compliance Certifications (see [product page](#) for current document)

Plotted and Other Data

Notes:

3/4 inch-20 Twinax Female Connector Clamp/Solder Attachment for PE-S330 from Pasternack Enterprises has same day shipment for domestic and International orders. Our RF, microwave and millimeter wave products maintain a 99% availability and are part of the broadest selection in the industry.

Click the following link (or enter part number in "SEARCH" on website) to obtain additional part information including price, inventory and certifications: [3/4 inch-20 Twinax Female Connector Clamp/Solder Attachment for PE-S330 PE4346](#)

URL: <https://www.pasternack.com/3-4-inch-20-female-standard-pe-s330-connector-pe4346-p.aspx>

The information contained in this document is accurate to the best of our knowledge and representative of the part described herein. It may be necessary to make modifications to the part and/or the documentation of the part, in order to implement improvements. Pasternack reserves the right to make such changes as required. Unless otherwise stated, all specifications are nominal. Pasternack does not make any representation or warranty regarding the suitability of the part described herein for any particular purpose, and Pasternack does not assume any liability arising out of the use of any part or documentation.

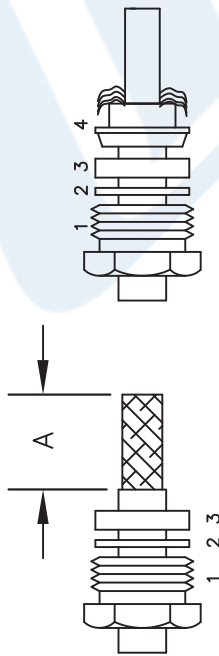
PE4346 CAD Drawing

3/4 inch-20 Twinax Female Connector Clamp/Solder Attachment for PE-S330

ASSEMBLY PROCEDURES

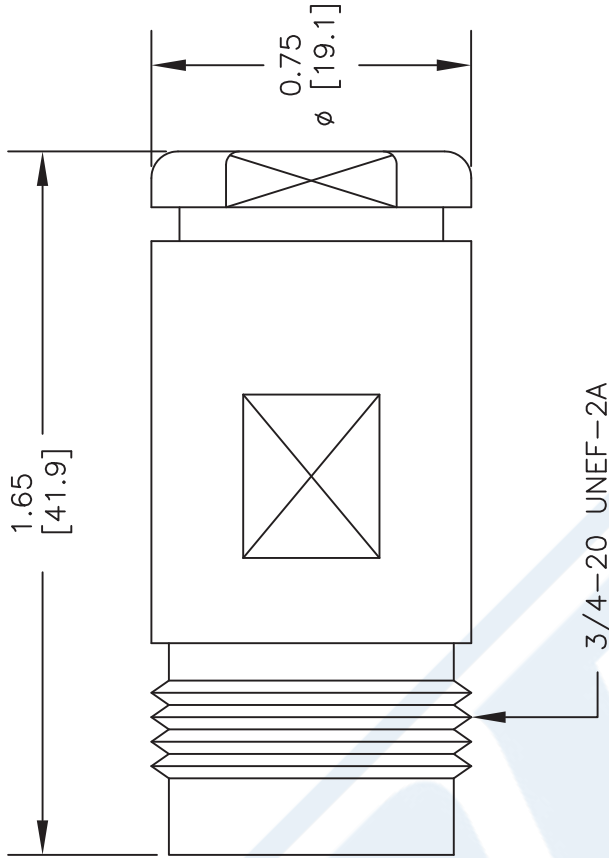
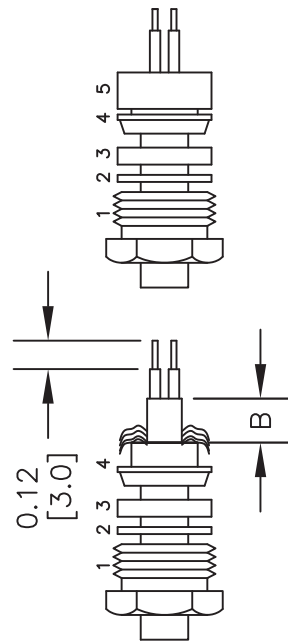
1. SLIDE CLAMP NUT (1), WASHER (2) & GASKET (3) OVER CABLE. STRIP CABLE AS SHOWN IN A. DO NOT NICK THE BRAID OR INNER CONDUCTORS. TAPER END OF BRAID TO PERMIT ASSEMBLY OF THE BRAID CLAMP (4). SLIDE BRAID CLAMP (4) OVER BRAID & BUTT INNER SHOULDER AGAINST JACKET. FORM BRAID OVER BRAID CLAMP (4). TRIM BRAID FLUSH WITH SHOULDER.

A = .500



2. STRIP CABLE AS SHOWN IN B. SLIDE BUSHING (5) OVER DIELECTRIC & SEAT FIRMLY AGAINST BRAID. SOLDER CONTACTS TO CENTER CONDUCTORS. REMOVE ANY EXCESS SOLDER. PUSH OUT INSULATOR FROM BODY. SPREAD OUT CONTACTS. SLIDE INSULATOR OVER CONTACTS. LINE THE KEY WAY UP WITH THE PIN IN THE BODY & INSERT THE ENTIRE ASSEMBLY INTO BODY & TIGHTEN.

B = .100



DWG TITLE

PE4346

- NOTES:
1. UNLESS OTHERWISE SPECIFIED ALL DIMENSIONS ARE NOMINAL.
 2. ALL SPECIFICATIONS ARE SUBJECT TO CHANGE WITHOUT NOTICE AT ANY TIME.
 3. DIMENSIONS ARE IN INCHES [mm].
 4. FITS MIL-C-17 AND EQUIVALENT CABLES.

Website: www.pasternack.com | **E-Mail:** sales@pasternack.com

PE PASTERNAK®

Pasternack Enterprises, Inc.

P.O. Box 16759 | Irvine | CA | 92623

Phone: (949) 261-1920 | Fax: (949) 261-7451

REV. -

FSCM NO. 53919

CAD FILE 050802

SCALE N/A

SIZE A

2233