



SMA Female Field Replaceable Connector With EMI Gasket
4 Hole Flange Mount .012 inch Pin, .375 inch Flange Size

RF Connectors Technical Data Sheet

PE44000

Configuration

- SMA Female Connector
- 50 Ohms
- Straight Body Geometry
- .012 inch Pin Interface Type
- Field Replaceable Attachment
- 4 Hole Flange

Features

- Gold Plated Contact

Applications

- General Purpose Test
- Rack and Panel Mount Applications

Description

Pasternack's PE44000 SMA female 4 hole flange mount field replaceable connector with EMI gasket is part of our full line of RF components available for same-day shipping. This SMA 4 hole flange connector allows designers to create external connections on their product enclosures, and can be used in a variety of other rack mount and panel mount applications. This field replaceable connector is easy to install or replace in the field.

Our SMA female 4 hole flange connector PE44000 datasheet specifications and drawing with dimensions are shown below in this PDF. Pasternack's broad catalog of RF, microwave and millimeter wave connectors allows designers to configure and customize their signal connections however they like. Whether the need is to provide an I/O for a board design, or simply create a custom cable assembly configuration, Pasternack has the right connector for the job. Pasternack can also expertly build your custom cable assemblies for you and ship same-day.

Mechanical Specifications

Size

Length	0.375 in [9.53 mm]
Width/Dia.	0.375 in [9.53 mm]
Height	0.375 in [9.53 mm]
Weight	0.006 lbs [2.72 g]

Material Specifications

Description	Material	Plating
Contact		Gold
Insulation	PTFE	
Body	Passivated Stainless Steel	

Click the following link (or enter part number in "SEARCH" on website) to obtain additional part information including price, inventory and certifications: [SMA Female Field Replaceable Connector With EMI Gasket 4 Hole Flange Mount .012 inch Pin, .375 inch Flange Size PE44000](#)



SMA Female Field Replaceable Connector With EMI Gasket 4 Hole Flange Mount .012 inch Pin, .375 inch Flange Size

RF Connectors Technical Data Sheet

PE44000

Compliance Certifications (see [product page](#) for current document)

Plotted and Other Data

Notes:

SMA Female Field Replaceable Connector With EMI Gasket 4 Hole Flange Mount .012 inch Pin, .375 inch Flange Size from Pasternack Enterprises has same day shipment for domestic and International orders. Our RF, microwave and millimeter wave products maintain a 99% availability and are part of the broadest selection in the industry.

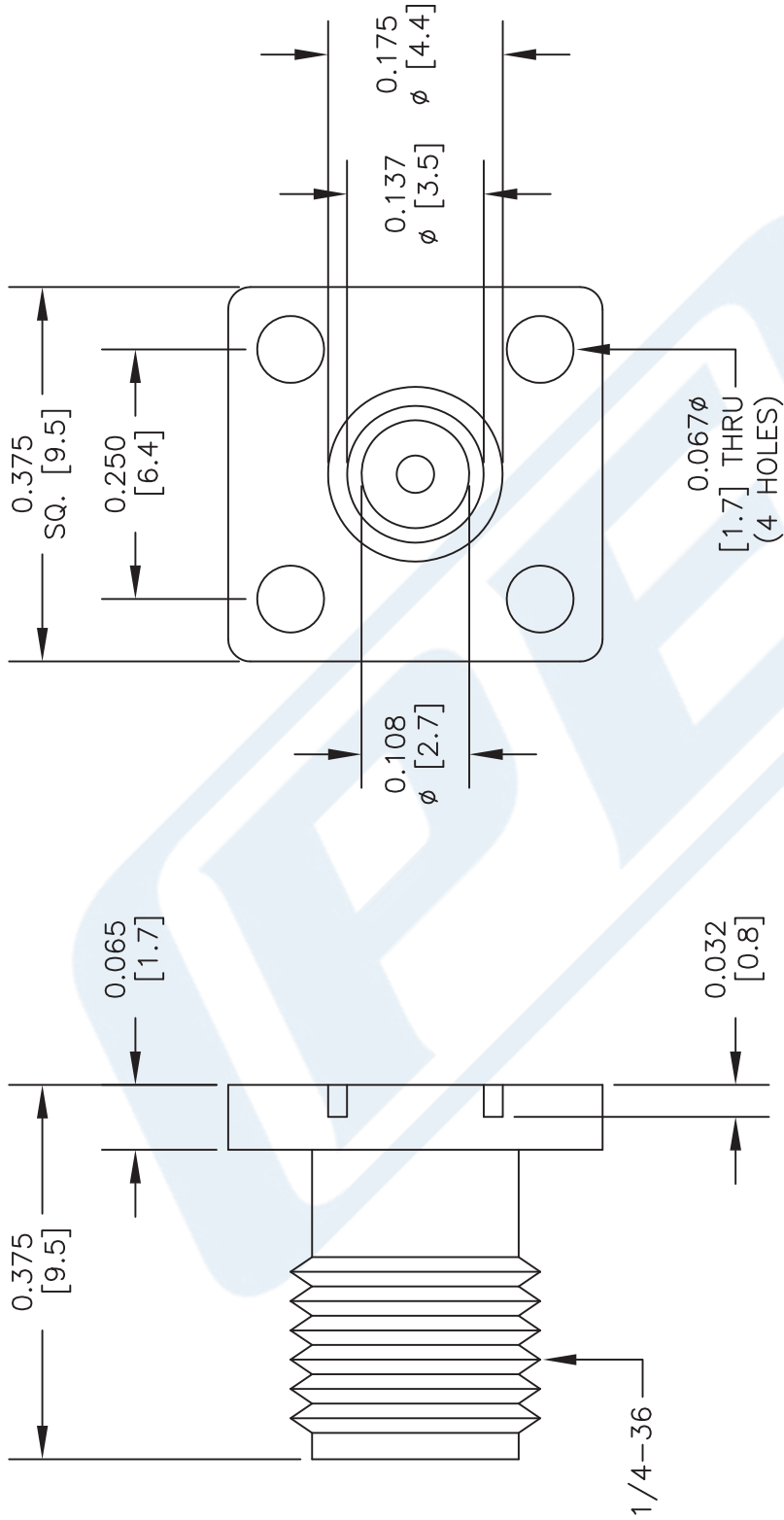
Click the following link (or enter part number in "SEARCH" on website) to obtain additional part information including price, inventory and certifications: [SMA Female Field Replaceable Connector With EMI Gasket 4 Hole Flange Mount .012 inch Pin, .375 inch Flange Size PE44000](#)

URL: <https://www.pasternack.com/sma-female-standard-0.012-pin-connector-pe44000-p.aspx>

The information contained in this document is accurate to the best of our knowledge and representative of the part described herein. It may be necessary to make modifications to the part and/or the documentation of the part, in order to implement improvements. Pasternack reserves the right to make such changes as required. Unless otherwise stated, all specifications are nominal. Pasternack does not make any representation or warranty regarding the suitability of the part described herein for any particular purpose, and Pasternack does not assume any liability arising out of the use of any part or documentation.

PE44000 CAD Drawing

SMA Female Field Replaceable Connector With EMI Gasket 4 Hole
Flange Mount .012 inch Pin, .375 inch Flange Size



DWG TITLE

PE44000

FSCM NO. 53919

- NOTES:
1. UNLESS OTHERWISE SPECIFIED ALL DIMENSIONS ARE NOMINAL.
 2. ALL SPECIFICATIONS ARE SUBJECT TO CHANGE WITHOUT NOTICE AT ANY TIME.
 3. DIMENSIONS ARE IN INCHES [mm].
 4. FITS MIL-C-17 AND EQUIVALENT CABLES.

CAD FILE 012816

SCALE N/A

SIZE A

2233



Pasternack Enterprises, Inc.
P.O. Box 16759 | Irvine | CA | 92623
Phone: (949) 261-1920 | Fax: (949) 261-7451
Website: www.pasternack.com | E-Mail: sales@pasternack.com