



## SMA Female Field Replaceable Connector 4 Hole Flange Mount .036 inch Pin, .375 inch Flange Size

### RF Connectors Technical Data Sheet

PE44004

#### Configuration

- SMA Female Connector
- MIL-STD-348
- 50 Ohms
- Straight Body Geometry
- .036 inch Pin Interface Type
- Field Replaceable Attachment
- 4 Hole Flange

#### Features

- Gold Plated Contact
- Contact plating according to MIL-G-45204

#### Applications

- General Purpose Test
- Rack and Panel Mount Applications

#### Description

Pasternack's PE44004 SMA female field replaceable connector 4 hole flange mount .036 inch pin is part of our full line of RF components available for same-day shipping. This field replaceable connector is easy to install or replace in the field. This SMA 4 hole flange connector allows designers to create external connections on their product enclosures, and can be used in a variety of other rack mount and panel mount applications.

Our SMA female 4 hole flange connector PE44004 datasheet specifications and drawing with dimensions are shown below in this PDF. Pasternack's broad catalog of RF, microwave and millimeter wave connectors allows designers to configure and customize their signal connections however they like. Whether the need is to provide an I/O for a board design, or simply create a custom cable assembly configuration, Pasternack has the right connector for the job. Pasternack can also expertly build your custom cable connector assemblies for you and ship same-day.

#### Mechanical Specifications

##### Size

|            |                    |
|------------|--------------------|
| Length     | 0.375 in [9.53 mm] |
| Width/Dia. | 0.375 in [9.53 mm] |
| Height     | 0.375 in [9.53 mm] |
| Weight     | 0.005 lbs [2.27 g] |

#### Material Specifications

| Description | Material                   | Plating             |
|-------------|----------------------------|---------------------|
| Contact     |                            | Gold<br>MIL-G-45204 |
| Insulation  | PTFE                       |                     |
| Body        | Passivated Stainless Steel | QQ-P-35             |

Click the following link (or enter part number in "SEARCH" on website) to obtain additional part information including price, inventory and certifications: [SMA Female Field Replaceable Connector 4 Hole Flange Mount .036 inch Pin, .375 inch Flange Size PE44004](#)



## SMA Female Field Replaceable Connector 4 Hole Flange Mount .036 inch Pin, .375 inch Flange Size

### RF Connectors Technical Data Sheet

PE44004

**Compliance Certifications** (see [product page](#) for current document)

#### Plotted and Other Data

Notes:

SMA Female Field Replaceable Connector 4 Hole Flange Mount .036 inch Pin, .375 inch Flange Size from Pasternack Enterprises has same day shipment for domestic and International orders. Our RF, microwave and millimeter wave products maintain a 99% availability and are part of the broadest selection in the industry.

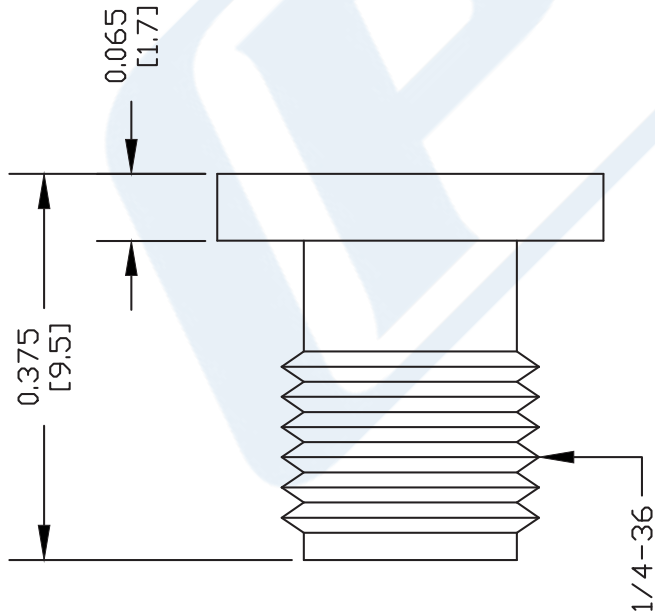
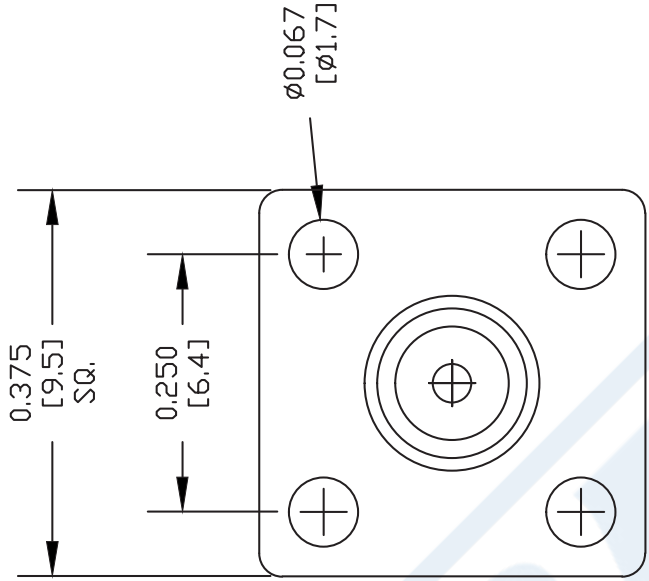
Click the following link (or enter part number in "SEARCH" on website) to obtain additional part information including price, inventory and certifications: [SMA Female Field Replaceable Connector 4 Hole Flange Mount .036 inch Pin, .375 inch Flange Size PE44004](#)

URL: <https://www.pasternack.com/sma-female-standard-0.036-pin-connector-pe44004-p.aspx>

The information contained in this document is accurate to the best of our knowledge and representative of the part described herein. It may be necessary to make modifications to the part and/or the documentation of the part, in order to implement improvements. Pasternack reserves the right to make such changes as required. Unless otherwise stated, all specifications are nominal. Pasternack does not make any representation or warranty regarding the suitability of the part described herein for any particular purpose, and Pasternack does not assume any liability arising out of the use of any part or documentation.

# PE44004 CAD Drawing

SMA Female Field Replaceable Connector 4 Hole Flange  
Mount .036 inch Pin, .375 inch Flange Size



NOTES:  
 1. UNLESS OTHERWISE SPECIFIED ALL DIMENSIONS ARE NOMINAL.  
 2. ALL SPECIFICATIONS ARE SUBJECT TO CHANGE WITHOUT NOTICE AT ANY TIME.  
 3. DIMENSIONS ARE IN INCHES [mm].  
 4. FITS MIL-C-17 AND EQUIVALENT CABLES.

DWG TITLE  
**PE44004**

FSCM NO. 53919

127

SIZE A

SCALE N/A

CAD FILE 061902

**PE PASTERNAK®**  
 Pasternack Enterprises, Inc.  
 P.O. Box 16759 | Irvine | CA | 92623  
 Phone: (949) 261-1920 | Fax: (949) 261-7451  
 Website: www.pasternack.com | E-Mail: sales@pasternack.com