



SMA Male Field Replaceable Connector With EMI Gasket  
4 Hole Flange 0.012 inch Pin, .375 inch Flange Size

TECHNICAL DATA SHEET

PE44005

**Configuration**

Connector	SMA Male
Connector Interface Type	0.012 inch Pin
Cable Attachment Method (Shield/Contact)	Field Replaceable
Body Style	Straight
Mount Method	4 Hole Flange
Option	EMI Gasket

**Electrical Specifications**

Impedance, Ohms	50
-----------------	----

**Mechanical Specifications**

**Size**

Length, in [mm]	0.5 [12.7]
Width/Dia., in [mm]	0.375 [9.53]
Height, in [mm]	0.375 [9.53]
Weight, lbs [g]	0.006 [2.72]

**Connector**

Type	SMA Male
Contact Material and Plating	Gold
Coupling Nut Material and Plating	Brass, Nickel
Hex Size, in.	5/16
Torque, in-lbs [Nm]	5 [0.57]
Body Material and Plating	Passivated Stainless Steel
Dielectric Type	PTFE

**Compliance Certifications** (visit [www.Pasternack.com](http://www.Pasternack.com) for current document)

RoHS Compliant	Yes
----------------	-----

Click the following link (or enter part number in "SEARCH" on website) to obtain additional part information including price, inventory and certifications: [SMA Male Field Replaceable Connector With EMI Gasket 4 Hole Flange 0.012 inch Pin, .375 inch Flange Size PE44005](#)

The information contained in this document is accurate to the best of our knowledge and representative of the part described herein. It may be necessary to make modifications to the part and/or the documentation of the part, in order to implement improvements. Pasternack reserves the right to make such changes as required. Unless otherwise stated, all specifications are nominal.





SMA Male Field Replaceable Connector With EMI Gasket  
4 Hole Flange 0.012 inch Pin, .375 inch Flange Size

TECHNICAL DATA SHEET

PE44005

**Plotted and Other Data**

Notes:

Values at 25 °C, sea level

SMA Male Field Replaceable Connector With EMI Gasket 4 Hole Flange 0.012 inch Pin, .375 inch Flange Size from Pasternack Enterprises has same day shipment for domestic and International orders. Our RF, microwave and fiber optic products maintain a 99% availability and are part of the broadest selection in the industry.

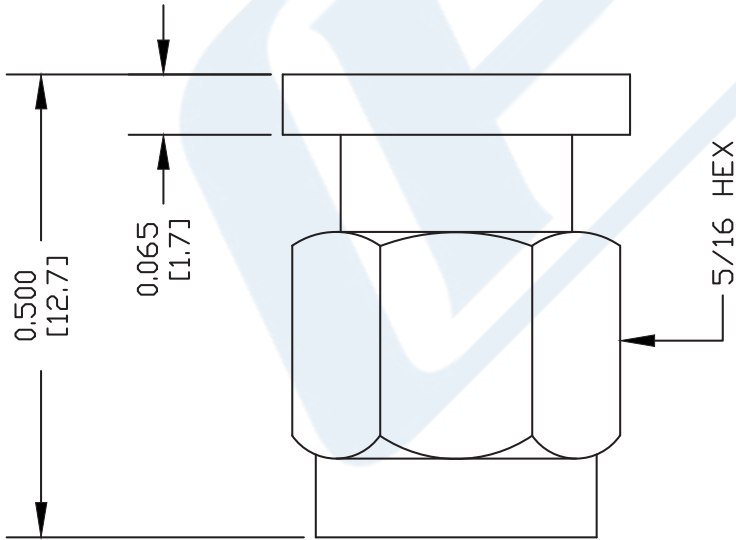
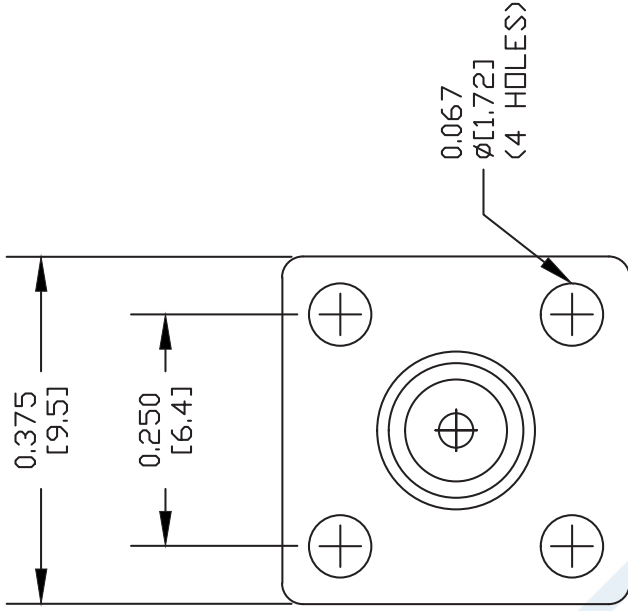
Click the following link (or enter part number in "SEARCH" on website) to obtain additional part information including price, inventory and certifications: [SMA Male Field Replaceable Connector With EMI Gasket 4 Hole Flange 0.012 inch Pin, .375 inch Flange Size PE44005](#)

URL: <http://www.pasternack.com/sma-male-standard-0.012-pin-connector-pe44005-p.aspx>

The information contained in this document is accurate to the best of our knowledge and representative of the part described herein. It may be necessary to make modifications to the part and/or the documentation of the part, in order to implement improvements. Pasternack reserves the right to make such changes as required. Unless otherwise stated, all specifications are nominal.

# PE44005 CAD Drawing

SMA Male Field Replaceable Connector With EMI Gasket  
4 Hole Flange 0.012 inch Pin, .375 inch Flange Size



NOTES:  
1. UNLESS OTHERWISE SPECIFIED ALL DIMENSIONS ARE NOMINAL.  
2. ALL SPECIFICATIONS ARE SUBJECT TO CHANGE WITHOUT NOTICE AT ANY TIME.  
3. DIMENSIONS ARE IN INCHES [mm].  
4. FITS MIL-C-17 AND EQUIVALENT CABLES.

DWG TITLE  
**PE44005**

FSCM NO. 53919

127

SIZE A

SCALE N/A

CAD FILE 061902

**PE PASTERNAK®**  
Pasternack Enterprises, Inc.  
P.O. Box 16759 | Irvine | CA | 92623  
Phone: (949) 261-1920 | Fax: (949) 261-7451  
Website: www.pasternack.com | E-Mail: sales@pasternack.com