



SMA Female Field Replaceable Connector With EMI Gasket 2 Hole Flange Mount .015 inch Pin

RF Connectors Technical Data Sheet

PE44024

Configuration

- SMA Female Connector
- MIL-STD-348
- 50 Ohms
- Straight Body Geometry
- .015 inch Pin Interface Type
- Field Replaceable Attachment
- 2 Hole Flange

Features

- Max. Operating Frequency 26 GHz
- Excellent VSWR of 1.2:1
- Gold over Nickel Plated Beryllium Copper Contact
- Contact plating according to ASTM B-488

Applications

- General Purpose Test
- Rack and Panel Mount Applications

Description

Pasternack's PE44024 SMA female 2 hole flange mount field replaceable connector with EMI gasket is part of our full line of RF components available for same-day shipping. Our SMA female connector operates up to a maximum frequency of 26 GHz and offers excellent VSWR of 1.2:1. This SMA 2 hole flange connector allows designers to create external connections on their product enclosures, and can be used in a variety of other rack mount and panel mount applications. This field replaceable connector is easy to install or replace in the field.

Our SMA female 2 hole flange connector PE44024 datasheet specifications and drawing with dimensions are shown below in this PDF. Pasternack's broad catalog of RF, microwave and millimeter wave connectors allows designers to configure and customize their signal connections however they like. Whether the need is to provide an I/O for a board design, or simply create a custom cable assembly configuration, Pasternack has the right connector for the job. Pasternack can also expertly build your custom cable assemblies for you and ship same-day.

Electrical Specifications

Description	Minimum	Typical	Maximum	Units
Frequency Range	DC		26	GHz
VSWR			1.2:1	
Operating Voltage (AC)			335	Vrms
Dielectric Withstanding Voltage (AC)			1,000	Vrms
High Potential Voltage at 5 MHz			670	Vrms
Corona Discharge at 70,000 feet			250	Vrms

Click the following link (or enter part number in "SEARCH" on website) to obtain additional part information including price, inventory and certifications: [SMA Female Field Replaceable Connector With EMI Gasket 2 Hole Flange Mount .015 inch Pin PE44024](#)



SMA Female Field Replaceable Connector With EMI
Gasket 2 Hole Flange Mount .015 inch Pin

RF Connectors Technical Data Sheet

PE44024

Electrical Specification Notes:
Insertion loss = 0.03 x sqrt(fGHz) dB.
RF leakage: 90 dB min at 2 to 3 GHz.

Mechanical Specifications

Size

Length	0.375 in [9.53 mm]
Width/Dia.	0.223 in [5.66 mm]
Height	0.625 in [15.88 mm]
Weight	0.006 lbs [2.72 g]
Mating Cycles	500 Cycles

Material Specifications

Description	Material	Plating
Contact	Beryllium Copper	Gold over Nickel ASTM B-488
Insulation	PTFE	
Body	Passivated Stainless Steel	ASTM A-967

Environmental Specifications

Temperature

Operating Range	-65 to +165 deg C
Humidity	MIL-STD-202, Method 106
Shock	MIL-STD-202, Method 213, Condition I
Vibration	MIL-STD-202, Method 204, Condition D
Thermal Shock	MIL-STD-202, Method 107, Condition B
Salt Spray	MIL-STD-202, Method 101, Condition C

Click the following link (or enter part number in "SEARCH" on website) to obtain additional part information including price, inventory and certifications: [SMA Female Field Replaceable Connector With EMI Gasket 2 Hole Flange Mount .015 inch Pin PE44024](#)



SMA Female Field Replaceable Connector With EMI Gasket 2 Hole Flange Mount .015 inch Pin

RF Connectors Technical Data Sheet

PE44024

Compliance Certifications (see [product page](#) for current document)

Plotted and Other Data

Notes:

SMA Female Field Replaceable Connector With EMI Gasket 2 Hole Flange Mount .015 inch Pin from Pasternack Enterprises has same day shipment for domestic and International orders. Our RF, microwave and millimeter wave products maintain a 99% availability and are part of the broadest selection in the industry.

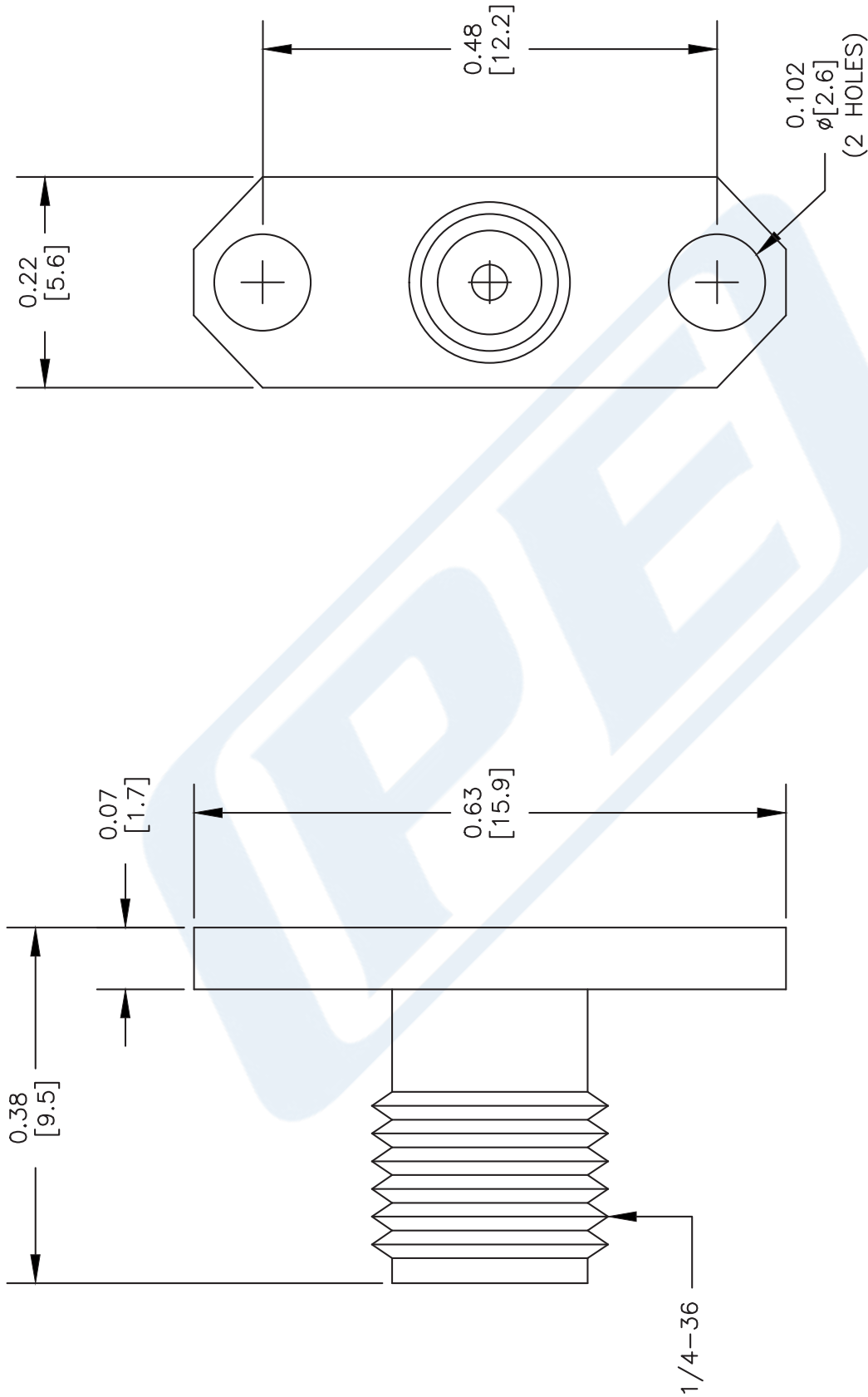
Click the following link (or enter part number in "SEARCH" on website) to obtain additional part information including price, inventory and certifications: [SMA Female Field Replaceable Connector With EMI Gasket 2 Hole Flange Mount .015 inch Pin PE44024](#)

URL: <https://www.pasternack.com/sma-female-standard-0.015-pin-connector-pe44024-p.aspx>

The information contained in this document is accurate to the best of our knowledge and representative of the part described herein. It may be necessary to make modifications to the part and/or the documentation of the part, in order to implement improvements. Pasternack reserves the right to make such changes as required. Unless otherwise stated, all specifications are nominal. Pasternack does not make any representation or warranty regarding the suitability of the part described herein for any particular purpose, and Pasternack does not assume any liability arising out of the use of any part or documentation.

PE44024 CAD Drawing

SMA Female Field Replaceable Connector With EMI
Gasket 2 Hole Flange Mount .015 inch Pin



DWG TITLE

PE44024

NOTES:
1. UNLESS OTHERWISE SPECIFIED ALL DIMENSIONS ARE NOMINAL.
2. ALL SPECIFICATIONS ARE SUBJECT TO CHANGE WITHOUT NOTICE AT ANY TIME.
3. DIMENSIONS ARE IN INCHES [mm].
4. FITS MIL-C-17 AND EQUIVALENT CABLES.

FSCM NO. 53919

CAD FILE 061804

SCALE N/A

SIZE A

127



Pasternack Enterprises, Inc.
P.O. Box 16759 | Irvine | CA | 92623

Phone: (949) 261-1920 | Fax: (949) 261-7451
Website: www.pasternack.com | E-Mail: sales@pasternack.com