



UHF Female Bulkhead Connector Solder Attachment  
Solder Cup Terminal, .575 inch D Hole, Rear Mount

TECHNICAL DATA SHEET

PE44060

**UHF Female Bulkhead Connector Solder Attachment Solder Cup Terminal, .575 inch D Hole, Rear Mount**

**Configuration**

Connector	UHF Female
Connector Interface Type	Solder Cup
Cable Attachment Method (Shield/Contact)	Solder
Body Style	Straight
Mount Method	Bulkhead

**Electrical Specifications**

Impedance, Ohms	50
-----------------	----

**Mechanical Specifications**

**Size**

Length, in [mm]	0.996 [25.3]
Width/Dia., in [mm]	0.748 [19.00]
Weight, lbs [g]	0.027 [12.25]

**Connector**

Type	UHF Female
Contact Material and Plating	Brass, Gold
Body Material and Plating	Zinc, Nickel
Dielectric Type	PBT

**Compliance Certifications** (visit [www.Pasternack.com](http://www.Pasternack.com) for current document)

RoHS Compliant	Yes
----------------	-----

**Plotted and Other Data**

Notes:	Values at 25 °C, sea level
--------	----------------------------

UHF Female Bulkhead Connector Solder Attachment Solder Cup Terminal, .575 inch D Hole, Rear Mount from Pasternack Enterprises has same day shipment for domestic and International orders. Our RF, microwave and fiber optic products maintain a 99% availability and are part of the broadest selection in the industry.

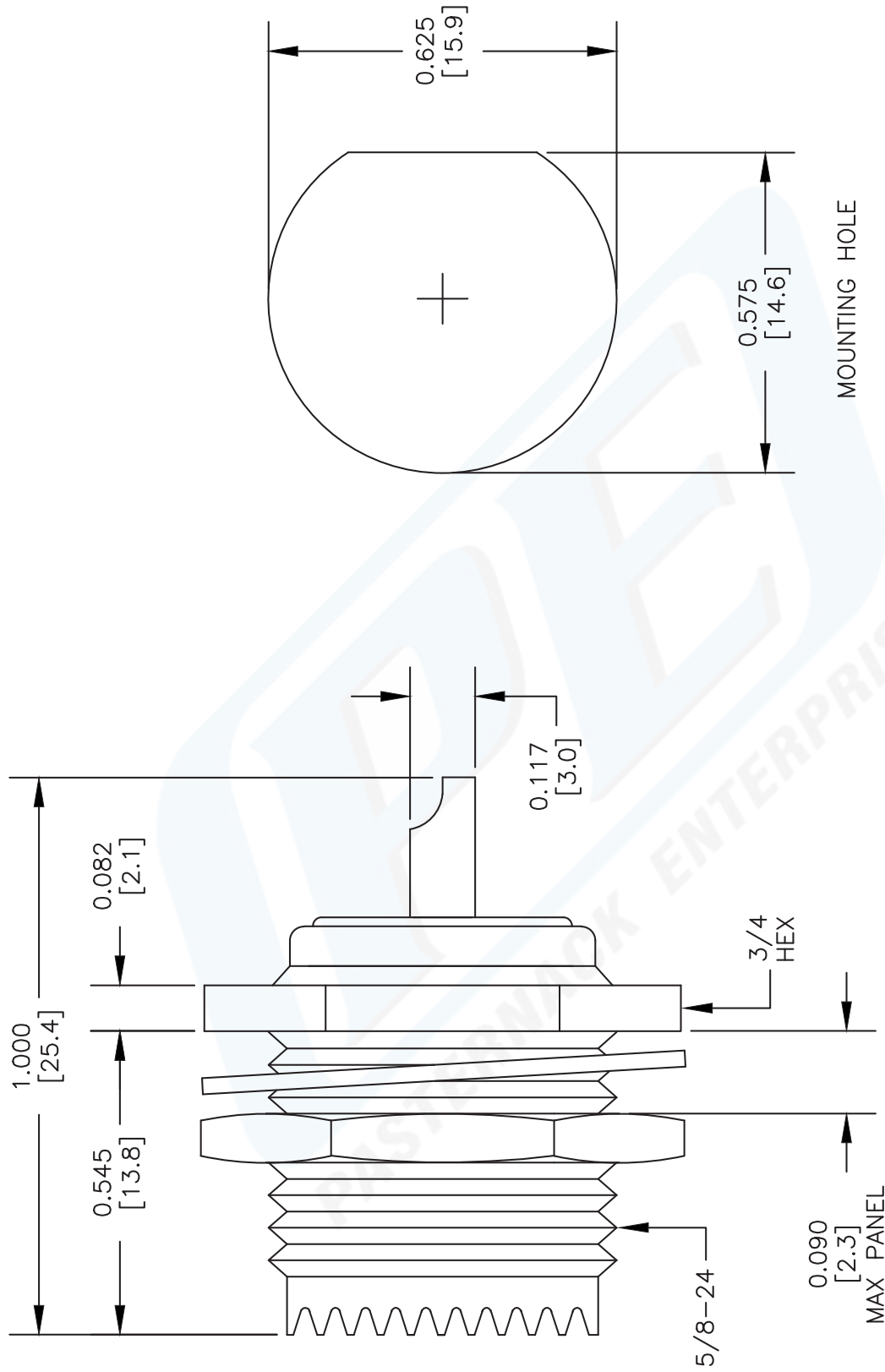
Click the following link (or enter part number in "SEARCH" on website) to obtain additional part information including price, inventory and certifications: [UHF Female Bulkhead Connector Solder Attachment Solder Cup Terminal, .575 inch D Hole, Rear Mount PE44060](http://www.pasternack.com/uhf-female-standard-solder-cup-terminal-connector-pe44060-p.aspx)

URL: <http://www.pasternack.com/uhf-female-standard-solder-cup-terminal-connector-pe44060-p.aspx>

The information contained in this document is accurate to the best of our knowledge and representative of the part described herein. It may be necessary to make modifications to the part and/or the documentation of the part, in order to implement improvements. Pasternack reserves the right to make such changes as required. Unless otherwise stated, all specifications are nominal.

# PE44060 CAD Drawing

UHF Female Bulkhead Connector Solder Attachment Solder Cup Terminal, .575 inch D Hole, Rear Mount



DWG TITLE

**PE44060**

FSCM NO. 53919

NOTES:  
 1. UNLESS OTHERWISE SPECIFIED ALL DIMENSIONS ARE NOMINAL.  
 2. ALL SPECIFICATIONS ARE SUBJECT TO CHANGE WITHOUT NOTICE AT ANY TIME.  
 3. DIMENSIONS ARE IN INCHES [mm].  
 4. FITS MIL-C-17 AND EQUIVALENT CABLES.

CAD FILE 070102

SCALE N/A

SIZE A

XXXX

**PE PASTERNAK**<sup>®</sup>

Pasternack Enterprises, Inc.  
 P.O. Box 16759 | Irvine | CA | 92623  
 Phone: (949) 261-1920 | Fax: (949) 261-7451  
 Website: www.pasternack.com | E-Mail: sales@pasternack.com