



RT SMA Female Connector Crimp/Solder Attachment For RG178, RG196

TECHNICAL DATA SHEET

PE44193

RT SMA Female Connector Crimp/Solder Attachment For RG178, RG196

Configuration

Connector	SMA Female Reverse Thread
Connector Specification	MIL-C-39012
Connector Interface Type	RG178, RG196
Cable Attachment Method (Shield/Contact)	Crimp/Solder
Body Style	Straight

Electrical Specifications

Impedance, Ohms	50
-----------------	----

Mechanical Specifications

Temperature

Operating Range, deg C	-65 to +165
------------------------	-------------

Size

Length, in [mm]	1.095 [27.81]
Width/Dia., in [mm]	0.312 [7.92]
Weight, lbs [g]	0.013 [5.9]

Connector

Type	SMA Female Reverse Thread
Contact Material and Plating	Gold
Contact Plating Specification	MIL-G-45204
Body Material and Plating	Brass, Nickel
Dielectric Type	Teflon

Compliance Certifications (visit www.Pasternack.com for current document)

RoHS Compliant	Yes
----------------	-----

Plotted and Other Data

Notes:	Values at 25 °C, sea level
--------	----------------------------

RT SMA Female Connector Crimp/Solder Attachment For RG178, RG196 from Pasternack Enterprises has same day shipment for domestic and International orders. Our RF, microwave and fiber optic products maintain a 99% availability and are part of the broadest selection in the industry.

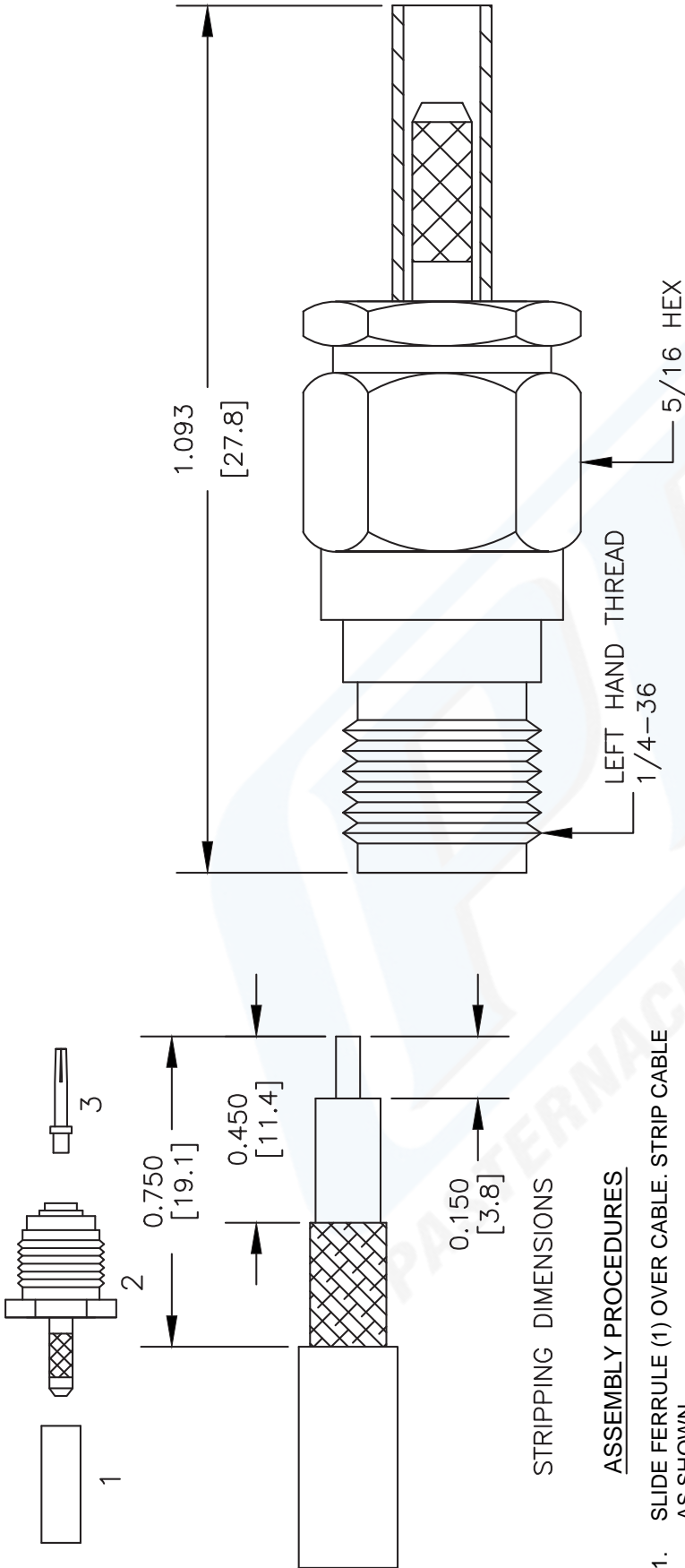
Click the following link (or enter part number in "SEARCH" on website) to obtain additional part information including price, inventory and certifications: [RT SMA Female Connector Crimp/Solder Attachment For RG178, RG196 PE44193](http://www.pasternack.com/sma-female-reverse-thread-rg178-rg196-connector-pe44193-p.aspx)

URL: <http://www.pasternack.com/sma-female-reverse-thread-rg178-rg196-connector-pe44193-p.aspx>

The information contained in this document is accurate to the best of our knowledge and representative of the part described herein. It may be necessary to make modifications to the part and/or the documentation of the part, in order to implement improvements. Pasternack reserves the right to make such changes as required. Unless otherwise stated, all specifications are nominal.

PE44193 CAD Drawing

RT SMA Female Connector Crimp/Solder Attachment For RG178, RG196



STRIPPING DIMENSIONS

ASSEMBLY PROCEDURES

1. SLIDE FERRULE (1) OVER CABLE. STRIP CABLE AS SHOWN.
2. FLAIR BRAID & INSERT EXTENSION (2) OVER DIELECTRIC & UNDERBRAID WITH CENTER CONDUCTOR PROTRUDING THROUGH EXTENSION.
3. SOLDER CONTACT (3) TO CENTER CONDUCTOR. INSTALL CABLE ASSEMBLY INTO BODY & TIGHTEN.
4. SLIDE FERRULE OVER BRAID & CRIMP.

CRIMP SIZE REQUIRED

FERRULE: .100" HEX CRIMP TOOL

DWG TITLE

PE44193

- NOTES:
1. UNLESS OTHERWISE SPECIFIED ALL DIMENSIONS ARE NOMINAL.
 2. ALL SPECIFICATIONS ARE SUBJECT TO CHANGE WITHOUT NOTICE AT ANY TIME.
 3. DIMENSIONS ARE IN INCHES [mm].
 4. FITS MIL-C-17 AND EQUIVALENT CABLES.

FSCM NO. 53919

CAD FILE 070202

SCALE N/A

SIZE A

XXXX



Pasternack Enterprises, Inc.
 P.O. Box 16759 | Irvine | CA | 92623
 Phone: (949) 261-1920 | Fax: (949) 261-7451
 Website: www.pasternack.com | E-Mail: sales@pasternack.com