



7/16 DIN Female Bulkhead Connector Crimp/Solder Attachment For PE-C195, 0.195 inch, 1.161 inch DD Hole

TECHNICAL DATA SHEET

PE44548

7/16 DIN Female Bulkhead Connector Crimp/Solder Attachment For PE-C195, 0.195 inch, 1.161 inch DD Hole

Configuration

Connector	7/16 DIN Female
Connector Interface Type	PE-C195,0.195 inch
Cable Attachment Method (Shield/Contact)	Crimp/Solder
Body Style	Straight
Mount Method	Bulkhead

Electrical Specifications

Impedance, Ohms	50
-----------------	----

Mechanical Specifications

Size

Length, in [mm]	2.08 [52.83]
Width/Dia., in [mm]	1.38 [35.05]
Weight, lbs [g]	0.11 [49.9]

Connector

Type	7/16 DIN Female
Contact Material and Plating	Beryllium Copper, Silver
Body Material and Plating	Brass, Tri-Metal
Dielectric Type	PTFE

Compliance Certifications (visit www.Pasternack.com for current document)

RoHS Compliant	Yes
----------------	-----

Plotted and Other Data

Notes:	Values at 25 °C, sea level
--------	----------------------------

7/16 DIN Female Bulkhead Connector Crimp/Solder Attachment For PE-C195, 0.195 inch, 1.161 inch DD Hole from Pasternack Enterprises has same day shipment for domestic and International orders. Our RF, microwave and fiber optic products maintain a 99% availability and are part of the broadest selection in the industry.

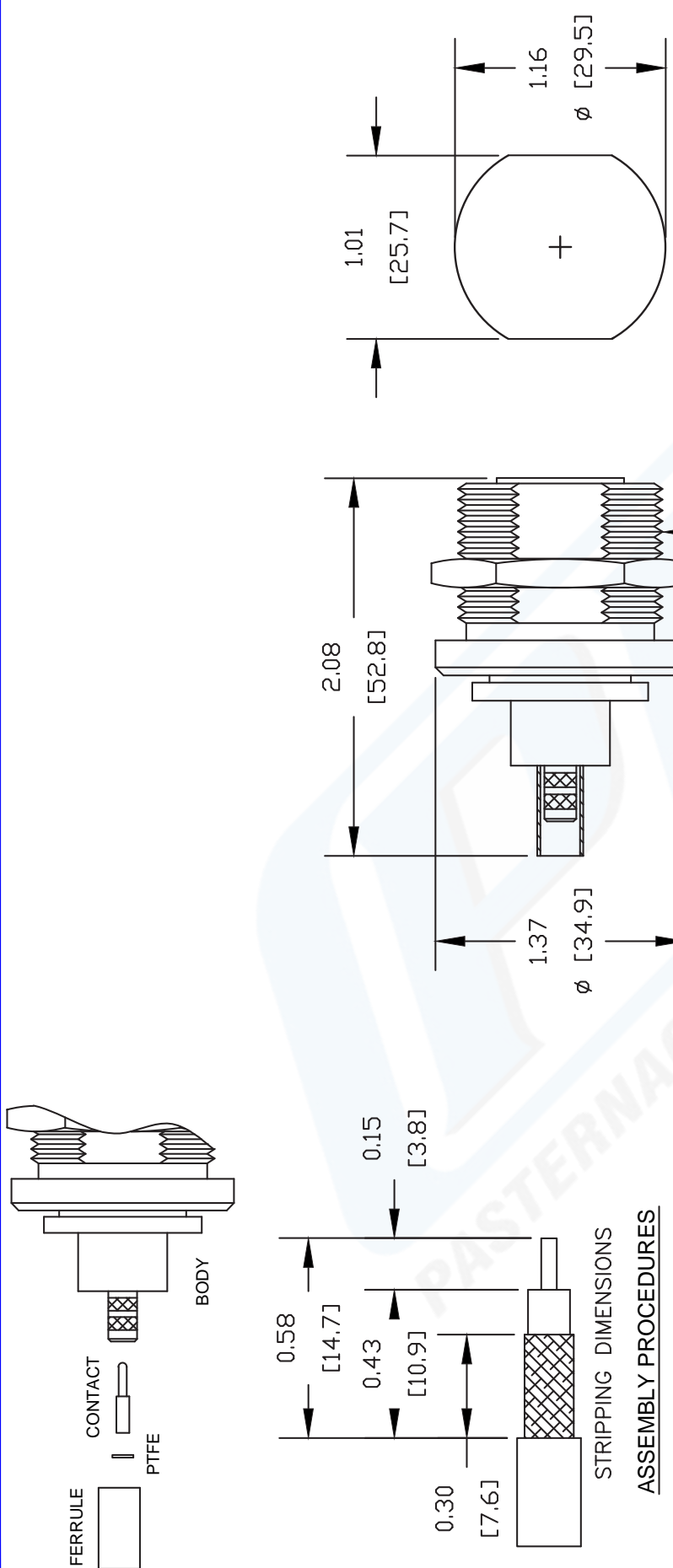
Click the following link (or enter part number in "SEARCH" on website) to obtain additional part information including price, inventory and certifications: [7/16 DIN Female Bulkhead Connector Crimp/Solder Attachment For PE-C195, 0.195 inch, 1.161 inch DD Hole PE44548](http://www.pasternack.com/7-16-female-standard-pe-c195-0.195-connector-pe44548-p.aspx)

URL: <http://www.pasternack.com/7-16-female-standard-pe-c195-0.195-connector-pe44548-p.aspx>

The information contained in this document is accurate to the best of our knowledge and representative of the part described herein. It may be necessary to make modifications to the part and/or the documentation of the part, in order to implement improvements. Pasternack reserves the right to make such changes as required. Unless otherwise stated, all specifications are nominal.

PE44548 CAD Drawing

7/16 DIN Female Bulkhead Connector Crimp/Solder Attachment
For PE-C195, 0.195 inch, 1.161 inch DD Hole



1. STRIP CABLE AS SHOWN. SLIDE PTFE OVER CENTER CONDUCTOR.

2. SOLDER CONTACT TO CENTER CONDUCTOR. SLIDE FERRULE OVER CABLE.

3. INSERT CABLE AND PARTS INTO BODY, PUSH CABLE UNTIL CONTACT SEATS IN PLACE.

4. SLIDE FERRULE OVER BRAID AND UP AGAINST BODY. CRIMP FERRULE.

CRIMP SIZE REQUIRED

CONTACT: SOLDER
FERRULE: .213" HEX CRIMP TOOL



PASTERNAK®
Pasternack Enterprises, Inc.
P.O. Box 16759 | Irvine | CA | 92623
Phone: (949) 261-1920 | Fax: (949) 261-7451
Website: www.pasternack.com | E-Mail: sales@pasternack.com

DWG TITLE

PE44548

NOTES:
1. UNLESS OTHERWISE SPECIFIED ALL DIMENSIONS ARE NOMINAL.
2. ALL SPECIFICATIONS ARE SUBJECT TO CHANGE WITHOUT NOTICE AT ANY TIME.
3. DIMENSIONS ARE IN INCHES [mm].
4. FITS MIL-C-17 AND EQUIVALENT CABLES.

REV. C

FSCM NO. 53919

CAD FILE 081911

SCALE N/A

SIZE A

2231