



N Female Connector Clamp/Solder Attachment For 7/8 inch Annular

TECHNICAL DATA SHEET

PE44566

Configuration

Connector	N Female
Connector Interface Type	7/8 inch Annular
Attachment Method (Shield/Contact)	Clamp/Solder
Body Style	Straight

Electrical Specifications

Impedance	50 Ohms
-----------	---------

Mechanical Specifications

Size

Length	2.325 in [59.06 mm]
Width/Dia.	1.355 in [34.42 mm]
Weight	0.345 lbs [156.49 g]

Connector

Type	N Female
Contact Material and Plating	Silver
Body Material and Plating	Brass, Tri-Metal
Dielectric Type	PTFE

Compliance Certifications (visit www.Pasternack.com for current document)

RoHS Compliant

Plotted and Other Data

Notes:

- Values at +25 °C, sea level

N Female Connector Clamp/Solder Attachment For 7/8 inch Annular from Pasternack Enterprises has same day shipment for domestic and International orders. Our RF, microwave and millimeter wave products maintain a 99% availability and are part of the broadest selection in the industry.

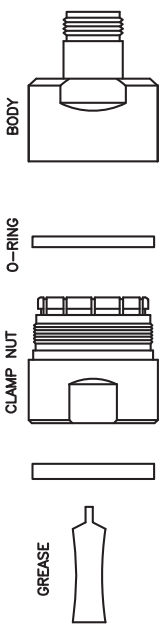
Click the following link (or enter part number in "SEARCH" on website) to obtain additional part information including price, inventory and certifications: [N Female Connector Clamp/Solder Attachment For 7/8 inch Annular PE44566](#)

URL: <http://www.pasternack.com/n-female-standard-7-8-inch-annular-connector-pe44566-p.aspx>

The information contained in this document is accurate to the best of our knowledge and representative of the part described herein. It may be necessary to make modifications to the part and/or the documentation of the part, in order to implement improvements. Pasternack reserves the right to make such changes as required. Unless otherwise stated, all specifications are nominal. Pasternack does not make any representation or warranty regarding the suitability of the part described herein for any particular purpose, and Pasternack does not assume any liability arising out of the use of any part or documentation.

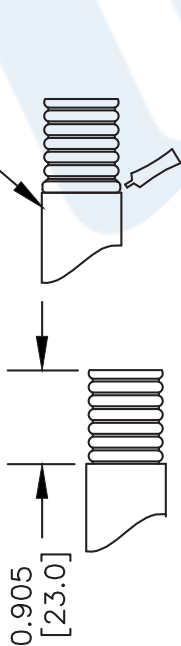
PE44566 CAD Drawing

N Female Connector Clamp/Solder Attachment For 7/8 inch Annular

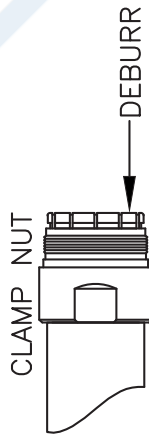


ASSEMBLY PROCEDURES

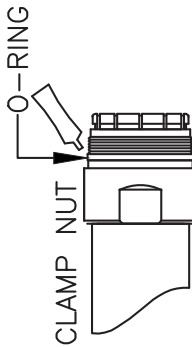
1. STRIP CABLE AS SHOWN. SLIDE LARGE O-RING ONTO CABLE AND SEAT AGAINST THE JACKET. GREASE O-RING.



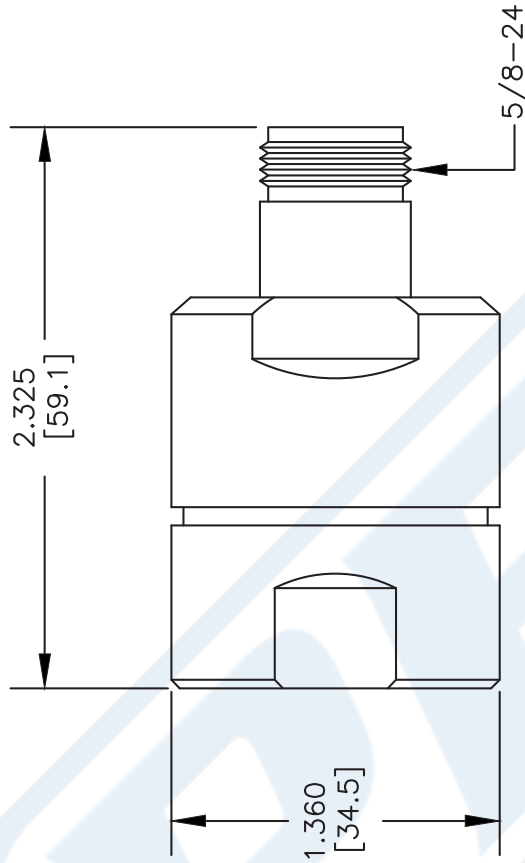
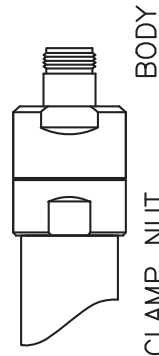
2. INSTALL CLAMP NUT ONTO CABLE. FLAIR OUT INNER & OUTER CONDUCTOR. DEBURR INNER & OUTER CONDUCTOR.



3. SLIDE O-RING OVER THREAD AND SEAT INTO PLACE. GREASE O-RING.



4. HOLD CLAMP NUT STEADY & SCREW BODY TIGHTLY ONTO CABLE. CENTER CONDUCTOR WILL PROPERLY SEAT INSIDE THE CABLE CENTER CONDUCTOR.



DWG TITLE

PE44566

NOTES:
 1. UNLESS OTHERWISE SPECIFIED ALL DIMENSIONS ARE NOMINAL.
 2. ALL SPECIFICATIONS ARE SUBJECT TO CHANGE WITHOUT NOTICE AT ANY TIME.
 3. DIMENSIONS ARE IN INCHES [mm].
 4. FITS MIL-C-17 AND EQUIVALENT CABLES.

FSCM NO. 53919

CAD FILE 090808-A

SCALE N/A

SIZE A

XXXX



Pasternack Enterprises, Inc.
 P.O. Box 16759 | Irvine | CA | 92623
 Phone: (949) 261-1920 | Fax: (949) 261-7451
 Website: www.pasternack.com | E-Mail: sales@pasternack.com