



## 75 Ohm F Male Connector Compression Attachment for PE-B159, 1855A, Mini 59

### RF Connectors Technical Data Sheet

PE44572

#### Configuration

- F Male Connector
- 75 Ohms
- Straight Body Geometry
- PE-B159, 1855A, Mini 59 Interface Type
- Compression Attachment
- 7/16 inch Hex

#### Features

- Gold Plated Brass Contact

#### Applications

- General Purpose Test
- Custom Cable Assemblies
- CATV

#### Description

Pasternack's PE44572 75 ohm type F male connector with compression attachment for PE-B159, 1855A and Mini 59 is part of our full line of RF components available for same-day shipping.

Our 75 ohm type F male connector PE44572 datasheet specifications and drawing with dimensions are shown below in this PDF. Pasternack's broad catalog of RF, microwave and millimeter wave connectors allows designers to configure and customize their signal connections however they like. Whether the need is to provide an I/O for a board design, or simply create a custom cable assembly configuration, Pasternack has the right connector for the job. Pasternack can also expertly build your custom cable assemblies for you and ship same-day.

#### Mechanical Specifications

##### Size

Length	1.404 in [35.66 mm]
Width/Dia.	0.438 in [11.13 mm]
Weight	0.034 lbs [15.42 g]
Mating Torque	12 to 15 in-lbs [1.36 to 1.70 Nm]

##### Material Specifications

Description	Material	Plating
Contact	Brass	Gold
Insulation	PTFE	
Body	Brass	Nickel
Coupling Nut	Brass	Nickel

Click the following link (or enter part number in "SEARCH" on website) to obtain additional part information including price, inventory and certifications: [75 Ohm F Male Connector Compression Attachment for PE-B159, 1855A, Mini 59 PE44572](#)



75 Ohm F Male Connector Compression  
Attachment for PE-B159, 1855A, Mini 59

RF Connectors Technical Data Sheet

PE44572

**Compliance Certifications** (see [product page](#) for current document)

**Plotted and Other Data**

Notes:

75 Ohm F Male Connector Compression Attachment for PE-B159, 1855A, Mini 59 from Pasternack Enterprises has same day shipment for domestic and International orders. Our RF, microwave and millimeter wave products maintain a 99% availability and are part of the broadest selection in the industry.

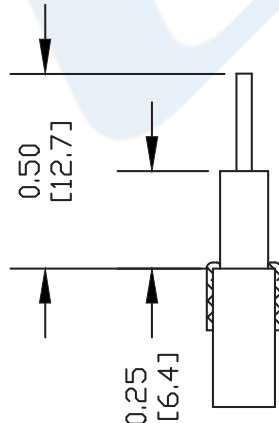
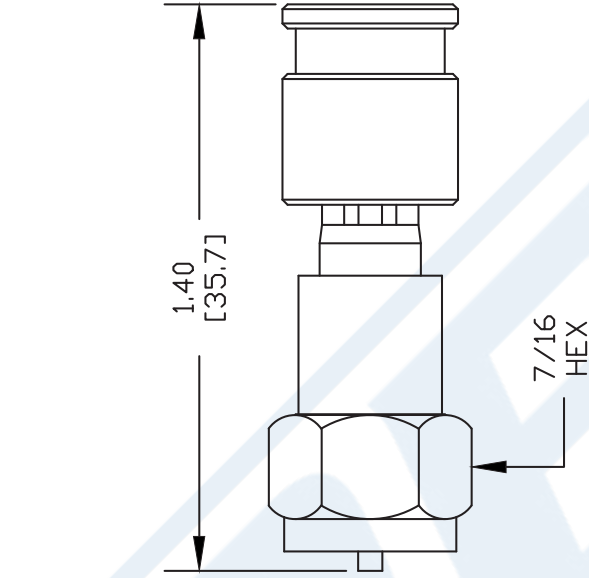
Click the following link (or enter part number in "SEARCH" on website) to obtain additional part information including price, inventory and certifications: [75 Ohm F Male Connector Compression Attachment for PE-B159, 1855A, Mini 59 PE44572](#)

URL: <https://www.pasternack.com/f-male-standard-pe-b159-connector-pe44572-p.aspx>

The information contained in this document is accurate to the best of our knowledge and representative of the part described herein. It may be necessary to make modifications to the part and/or the documentation of the part, in order to implement improvements. Pasternack reserves the right to make such changes as required. Unless otherwise stated, all specifications are nominal. Pasternack does not make any representation or warranty regarding the suitability of the part described herein for any particular purpose, and Pasternack does not assume any liability arising out of the use of any part or documentation.

# PE44572 CAD Drawing

75 Ohm F Male Connector Compression Attachment for PE-B159, 1855A, Mini 59



## STRIPPING DIMENSIONS

## ASSEMBLY PROCEDURES

1. STRIP CABLE AS SHOWN.
2. PUSH BRAID BACK AGAINST CABLE JACKET EVENLY.
3. INSERT CABLE INTO BODY WHILE TWISTING CONNECTOR SLIGHTLY.
4. INSERT ASSEMBLY INTO COMPRESSION TOOL & COMPRESS USING A PE5012.

DWG TITLE

**PE44572**

NOTES:

1. UNLESS OTHERWISE SPECIFIED ALL DIMENSIONS ARE NOMINAL.
2. ALL SPECIFICATIONS ARE SUBJECT TO CHANGE WITHOUT NOTICE AT ANY TIME.
3. DIMENSIONS ARE IN INCHES [mm].
4. FITS MIL-C-17 AND EQUIVALENT CABLES.

REV. C

FSCM NO. 53919

CAD FILE 102511

SCALE N/A

SIZE A

2233



**PASTERNAK®**

Pasternack Enterprises, Inc.  
 P.O. Box 16759 | Irvine | CA | 92623  
 Phone: (949) 261-1920 | Fax: (949) 261-7451  
 Website: www.pasternack.com | E-Mail: sales@pasternack.com