



QN Female Bulkhead Connector Crimp/Solder  
 Attachment For RG214, RG225, .500 inch Diameter

TECHNICAL DATA SHEET

PE44608

**QN Female Bulkhead Connector Crimp/Solder Attachment For RG214, RG225, .500 inch Diameter**

**Configuration**

Connector	QN Female
Connector Interface Type	RG214, RG225
Cable Attachment Method (Shield/Contact)	Crimp/Solder
Body Style	Straight
Mount Method	Bulkhead

**Electrical Specifications**

Frequency Range, GHz	DC to 11
Impedance, Ohms	50
Maximum Return Loss, dB	0.17
Maximum Operating Voltage, Volts	1,000
Dielectric Withstanding Voltage, Vrms	2,500

**Frequency 1**

Frequency, MHz	DC to 1,000
Return Loss, dB	32
Insertion Loss, dB	0.05

**Frequency 2**

Frequency, GHz	1 to 6
Return Loss, dB	27
Insertion Loss, dB	0.12

**Mechanical Specifications**

**Temperature**

Operating Range, deg C	-40 to +125
------------------------	-------------

**Size**

Length, in [mm]	1.68 [42.67]
Width/Dia., in [mm]	0.67 [17.02]
Weight, lbs [g]	0.137 [62.14]

**Connector**

Type	QN Female
Mating Cycles	100
Contact Material and Plating	Brass, Gold
Body Material and Plating	Brass, Tri-Metal
Dielectric Type	PTFE

**Compliance Certifications** (visit [www.Pasternack.com](http://www.Pasternack.com) for current document)

RoHS Compliant	Yes
----------------	-----

Click the following link (or enter part number in "SEARCH" on website) to obtain additional part information including price, inventory and certifications: [QN Female Bulkhead Connector Crimp/Solder Attachment For RG214, RG225, .500 inch Diameter PE44608](#)

The information contained in this document is accurate to the best of our knowledge and representative of the part described herein. It may be necessary to make modifications to the part and/or the documentation of the part, in order to implement improvements. Pasternack reserves the right to make such changes as required. Unless otherwise stated, all specifications are nominal.



QN Female Bulkhead Connector Crimp/Solder  
Attachment For RG214, RG225, .500 inch Diameter

TECHNICAL DATA SHEET

PE44608

**Plotted and Other Data**

Notes:

Values at 25 °C, sea level

QN Female Bulkhead Connector Crimp/Solder Attachment For RG214, RG225, .500 inch Diameter from Pasternack Enterprises has same day shipment for domestic and International orders. Our RF, microwave and fiber optic products maintain a 99% availability and are part of the broadest selection in the industry.

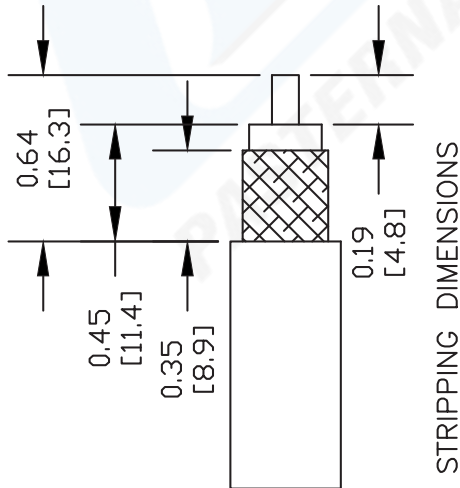
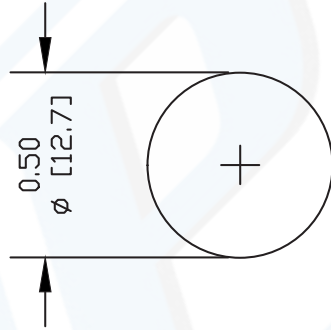
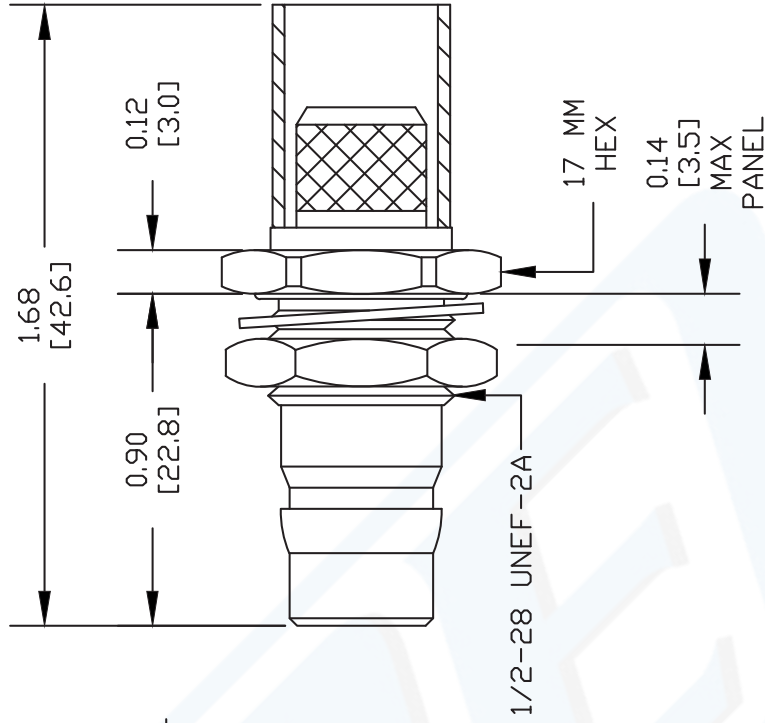
Click the following link (or enter part number in "SEARCH" on website) to obtain additional part information including price, inventory and certifications: [QN Female Bulkhead Connector Crimp/Solder Attachment For RG214, RG225, .500 inch Diameter PE44608](http://www.pasternack.com/qn-female-standard-rg214-rg225-connector-pe44608-p.aspx)

URL: <http://www.pasternack.com/qn-female-standard-rg214-rg225-connector-pe44608-p.aspx>

The information contained in this document is accurate to the best of our knowledge and representative of the part described herein. It may be necessary to make modifications to the part and/or the documentation of the part, in order to implement improvements. Pasternack reserves the right to make such changes as required. Unless otherwise stated, all specifications are nominal.

# PE44608 CAD Drawing

QN Female Bulkhead Connector Crimp/Solder Attachment  
For RG214, RG225, .500 inch Diameter



**CRIMP SIZE REQUIRED**

CONTACT: SOLDER  
FERRULE: .429" HEX CRIMP TOOL

- NOTES:
1. UNLESS OTHERWISE SPECIFIED ALL DIMENSIONS ARE NOMINAL.
  2. ALL SPECIFICATIONS ARE SUBJECT TO CHANGE WITHOUT NOTICE AT ANY TIME.
  3. DIMENSIONS ARE IN INCHES [mm].
  4. FITS MIL-C-17 AND EQUIVALENT CABLES.

DWG TITLE  
**PE44608**

**PE PASTERNAK®**  
Pasternack Enterprises, Inc.  
P.O. Box 16759 | Irvine | CA | 92623  
Phone: (949) 261-1920 | Fax: (949) 261-7451  
Website: www.pasternack.com | E-Mail: sales@pasternack.com

REV. A	FSCM NO. 53919	CAD FILE 091211	SCALE N/A	SIZE A	2231
--------	----------------	-----------------	-----------	--------	------