



FAKRA Plug Right Angle Connector Solder Attachment Thru Hole PCB, White Color

TECHNICAL DATA SHEET

PE44651B

FAKRA Plug Right Angle Connector Solder Attachment Thru Hole PCB, White Color

Configuration

Connector	FAKRA Plug
Connector Interface Type	Thru Hole
Cable Attachment Method (Shield/Contact)	Solder
Body Style	Right Angle

Electrical Specifications

Frequency Range, GHz	DC to 3
Impedance, Ohms	50
Maximum VSWR	1.35:1
Dielectric Withstanding Voltage, Vdc	800

Mechanical Specifications

Temperature

Operating Range, deg C	-40 to +85
------------------------	------------

Size

Length, in [mm]	0.787 [19.99]
Width/Dia., in [mm]	0.37 [9.40]
Height, in [mm]	0.58 [14.73]
Weight, lbs [g]	0.008 [3.63]
Color	White

Connector

Type	FAKRA Plug
Contact Material and Plating	Brass, Gold
Outer Conductor Material and Plating	Brass, Nickel
Body Material and Plating	Plastic
Dielectric Type	Teflon

Compliance Certifications (visit www.Pasternack.com for current document)

RoHS Compliant	Yes
----------------	-----

Click the following link (or enter part number in "SEARCH" on website) to obtain additional part information including price, inventory and certifications: [FAKRA Plug Right Angle Connector Solder Attachment Thru Hole PCB, White Color PE44651B](#)

The information contained in this document is accurate to the best of our knowledge and representative of the part described herein. It may be necessary to make modifications to the part and/or the documentation of the part, in order to implement improvements. Pasternack reserves the right to make such changes as required. Unless otherwise stated, all specifications are nominal.



FAKRA Plug Right Angle Connector Solder
Attachment Thru Hole PCB, White Color

TECHNICAL DATA SHEET

PE44651B

Plotted and Other Data

Notes:

Values at 25 °C, sea level

FAKRA Plug Right Angle Connector Solder Attachment Thru Hole PCB, White Color from Pasternack Enterprises has same day shipment for domestic and International orders. Our RF, microwave and fiber optic products maintain a 99% availability and are part of the broadest selection in the industry.

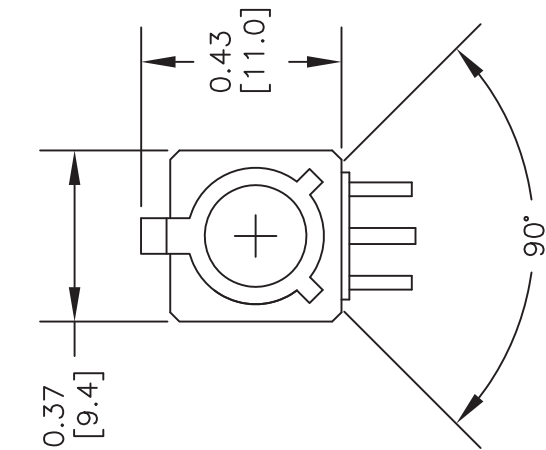
Click the following link (or enter part number in "SEARCH" on website) to obtain additional part information including price, inventory and certifications: [FAKRA Plug Right Angle Connector Solder Attachment Thru Hole PCB, White Color PE44651B](http://www.pasternack.com/fakra-plug-right-angle-connector-solder-attachment-thru-hole-pcb-white-color-pe44651b)

URL: <http://www.pasternack.com/fakra-plug-standard-thru-hole-pcb-connector-pe44651b-p.aspx>

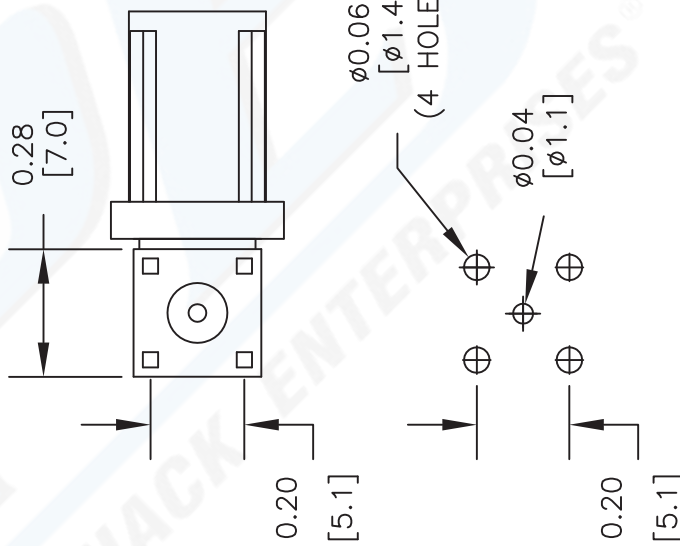
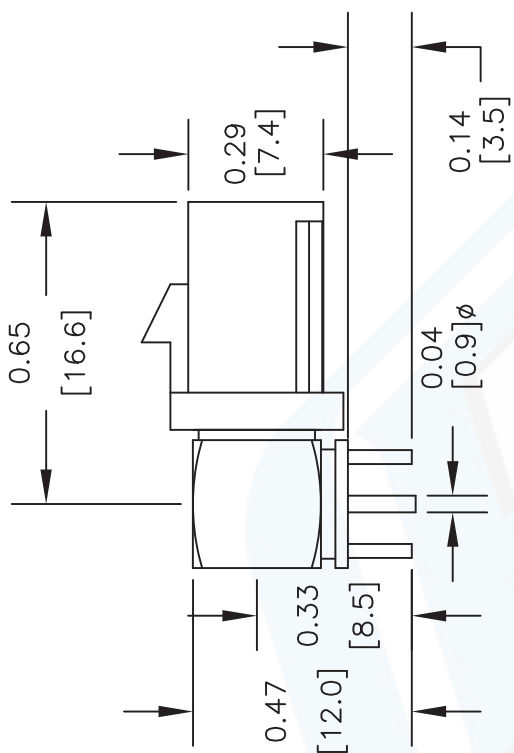
The information contained in this document is accurate to the best of our knowledge and representative of the part described herein. It may be necessary to make modifications to the part and/or the documentation of the part, in order to implement improvements. Pasternack reserves the right to make such changes as required. Unless otherwise stated, all specifications are nominal.

PE44651B CAD Drawing

FAKRA Plug Right Angle Connector Solder Attachment Thru Hole PCB, White Color



(KEY CODE K SHOWN)



Part Configurator		
1. Replace Y with code.		
CODING	JACK	APPLICATION
A		RADIO WITH PHANTOM SUPPLY
B		RADIO WITHOUT PHANTOM SUPPLY
C		GPS: TELEMATICS OR NAVIGATION
D		GSM: CELLULAR PHONE
H		GPS: TELEMATICS AND NAVIGATION
I		BLUETOOTH
K		RADIO WITH IF OUTPUT (ANTENNA DIVERSITY)
Z		NEUTRAL CODING

NOTES:
 1. UNLESS OTHERWISE SPECIFIED ALL DIMENSIONS ARE NOMINAL.
 2. ALL SPECIFICATIONS ARE SUBJECT TO CHANGE WITHOUT NOTICE AT ANY TIME.
 3. DIMENSIONS ARE IN INCHES [mm].
 4. FITS MIL-C-17 AND EQUIVALENT CABLES.

DWG TITLE
PE44651/Y

PASTERNAK®
 Pasternack Enterprises, Inc.
 P.O. Box 16759 | Irvine | CA | 92623
 Phone: (949) 261-1920 | Fax: (949) 261-7451
 Website: www.pasternack.com | E-Mail: sales@pasternack.com

CAD FILE 062209 SCALE N/A SIZE A XXXX

FSCM NO. 53919