



N Male Connector Solder Attachment 4 Hole Flange Mount Pin Terminal, .718 inch Hole Spacing, .050 inch Diameter

RF Connectors Technical Data Sheet

PE44653

Configuration

- N Male Connector
- MIL-STD-348
- 50 Ohms
- Straight Body Geometry
- Pin Interface Type
- Solder Attachment
- 4 Hole Flange

Features

- Max. Operating Frequency 18 GHz
- Gold Plated Brass Contact
- Contact plating according to MIL-G-45204

Applications

- General Purpose Test
- Rack and Panel Mount Applications

Description

Pasternack's PE44653 type N male connector solder attachment 4 hole flange mount pin terminal, .718 inch hole spacing is part of our full line of RF components available for same-day shipping. Our type N male connector operates up to a maximum frequency of 18 GHz. This type N 4 hole flange connector allows designers to create external connections on their product enclosures, and can be used in a variety of other rack mount and panel mount applications.

Our type N male 4 hole flange connector PE44653 datasheet specifications and drawing with dimensions are shown below in this PDF. Pasternack's broad catalog of RF, microwave and millimeter wave connectors allows designers to configure and customize their signal connections however they like. Whether the need is to provide an I/O for a board design, or simply create a custom cable assembly configuration, Pasternack has the right connector for the job. Pasternack can also expertly build your custom cable connector assemblies for you and ship same-day.

Electrical Specifications

Description	Minimum	Typical	Maximum	Units
Frequency Range	DC		18	GHz
Operating Voltage (AC)			1,000	Vrms
Dielectric Withstanding Voltage (AC)			2,500	Vrms
Insulation Resistance	5,000			MOhms

Mechanical Specifications

Size

Length	1.517 in [38.53 mm]
Width/Dia.	1 in [25.40 mm]
Height	1 in [25.4 mm]
Weight	0.096 lbs [43.54 g]

Click the following link (or enter part number in "SEARCH" on website) to obtain additional part information including price, inventory and certifications: [N Male Connector Solder Attachment 4 Hole Flange Mount Pin Terminal, .718 inch Hole Spacing, .050 inch Diameter PE44653](#)



N Male Connector Solder Attachment 4 Hole Flange Mount
 Pin Terminal, .718 inch Hole Spacing, .050 inch Diameter

RF Connectors Technical Data Sheet

PE44653

Material Specifications

Description	Material	Plating
Contact	Brass	Gold MIL-G-45204
Insulation	PTFE	
Body	Brass	Nickel QQ-N-290
Coupling Nut	Brass	Nickel QQ-N-290

Environmental Specifications

Temperature

Operating Range

-65 to +165 deg C

Compliance Certifications (see [product page](#) for current document)

Plotted and Other Data

Notes:

N Male Connector Solder Attachment 4 Hole Flange Mount Pin Terminal, .718 inch Hole Spacing, .050 inch Diameter from Pasternack Enterprises has same day shipment for domestic and International orders. Our RF, microwave and millimeter wave products maintain a 99% availability and are part of the broadest selection in the industry.

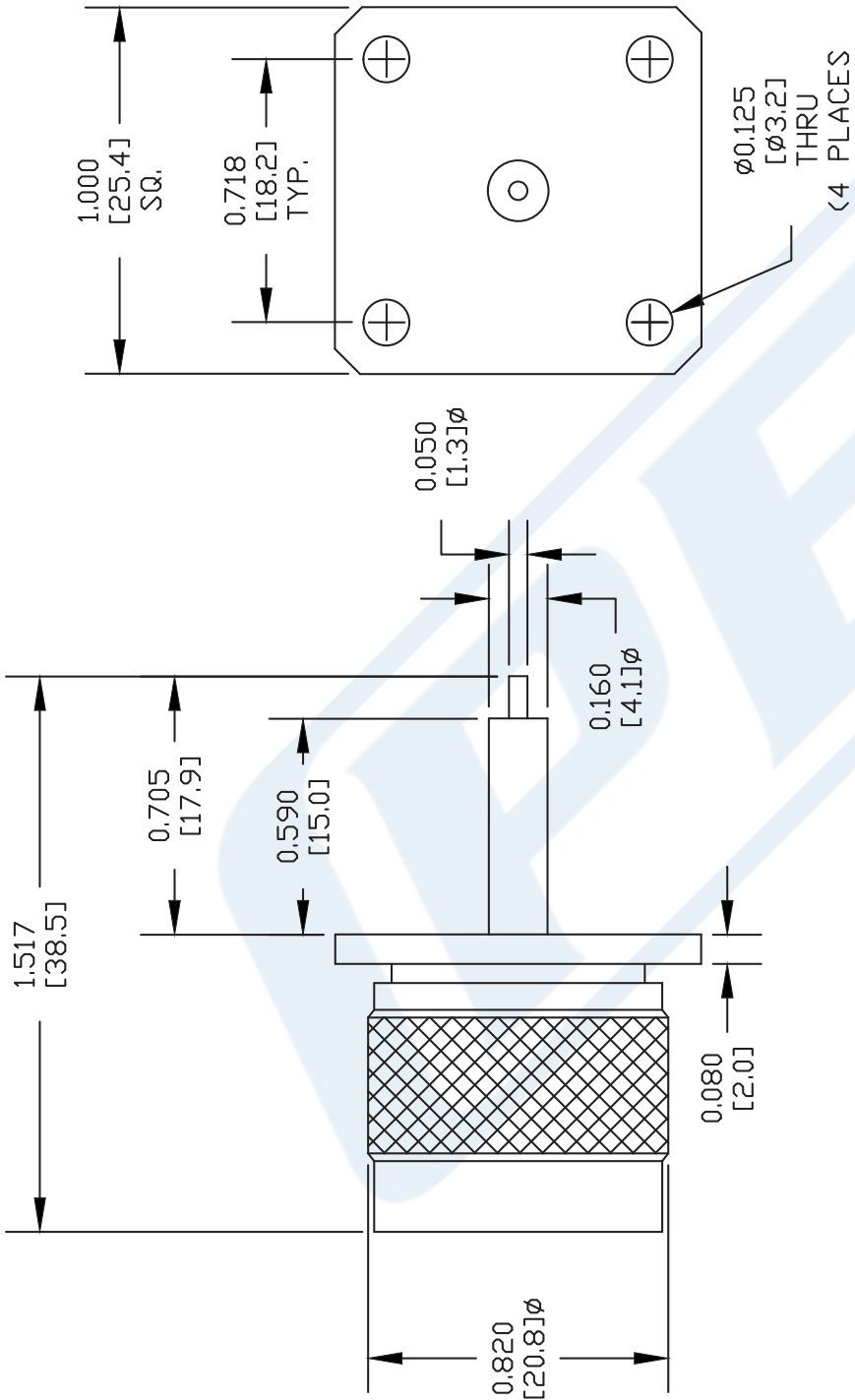
Click the following link (or enter part number in "SEARCH" on website) to obtain additional part information including price, inventory and certifications: [N Male Connector Solder Attachment 4 Hole Flange Mount Pin Terminal, .718 inch Hole Spacing, .050 inch Diameter PE44653](#)

URL: <https://www.pasternack.com/n-male-standard-pin-terminal-connector-pe44653-p.aspx>

The information contained in this document is accurate to the best of our knowledge and representative of the part described herein. It may be necessary to make modifications to the part and/or the documentation of the part, in order to implement improvements. Pasternack reserves the right to make such changes as required. Unless otherwise stated, all specifications are nominal. Pasternack does not make any representation or warranty regarding the suitability of the part described herein for any particular purpose, and Pasternack does not assume any liability arising out of the use of any part or documentation.

PE44653 CAD Drawing

N Male Connector Solder Attachment 4 Hole Flange Mount Pin Terminal, .718 inch Hole Spacing, .050 inch Diameter



DWG TITLE

PE44653

FSCM NO. 53919

NOTES:
 1. UNLESS OTHERWISE SPECIFIED ALL DIMENSIONS ARE NOMINAL.
 2. ALL SPECIFICATIONS ARE SUBJECT TO CHANGE WITHOUT NOTICE AT ANY TIME.
 3. DIMENSIONS ARE IN INCHES [mm].
 4. FITS MIL-C-17 AND EQUIVALENT CABLES.

XXXX

SIZE A

SCALE N/A

CAD FILE 062509



PASTERNAK®
 Pasternack Enterprises, Inc.
 P.O. Box 16759 | Irvine | CA | 92623
 Phone: (949) 261-1920 | Fax: (949) 261-7451
 Website: www.pasternack.com | E-Mail: sales@pasternack.com