



SMP Male Connector Solder Attachment Thru Hole PCB, Up To 8 GHz Smooth Bore

TECHNICAL DATA SHEET

PE44840

**SMP Male Connector Solder Attachment Thru Hole PCB, Up To 8 GHz Smooth Bore**

**Configuration**

Connector	SMP Male
Connector Specification	MIL-STD-348A
Connector Interface Type	Thru Hole
Cable Attachment Method (Shield/Contact)	Solder
Body Style	Straight

**Electrical Specifications**

Frequency Range, GHz	DC to 8
Impedance, Ohms	50
Maximum VSWR	1.1:1

**Mechanical Specifications**

**Temperature**

Operating Range, deg C	-55 to +155
------------------------	-------------

**Size**

Length, in [mm]	0.279 [7.09]
Width/Dia., in [mm]	0.236 [5.99]
Height, in [mm]	0.236 [5.99]

**Connector**

Type	SMP Male
Mating Cycles	500
Contact Material and Plating	Beryllium Copper, Gold
Contact Plating Specification	MIL-DTL-45204
Body Material and Plating	Brass, Gold
Body Plating Specification	MIL-DTL-45204
Dielectric Type	PEI

**Compliance Certifications** (visit [www.Pasternack.com](http://www.Pasternack.com) for current document)

RoHS Compliant	Yes
----------------	-----

Click the following link (or enter part number in "SEARCH" on website) to obtain additional part information including price, inventory and certifications: [SMP Male Connector Solder Attachment Thru Hole PCB, Up To 8 GHz Smooth Bore PE44840](#)

The information contained in this document is accurate to the best of our knowledge and representative of the part described herein. It may be necessary to make modifications to the part and/or the documentation of the part, in order to implement improvements. Pasternack reserves the right to make such changes as required. Unless otherwise stated, all specifications are nominal.



SMP Male Connector Solder Attachment Thru  
Hole PCB, Up To 8 GHz Smooth Bore

TECHNICAL DATA SHEET

PE44840

**Plotted and Other Data**

Notes:

Values at 25 °C, sea level

SMP Male Connector Solder Attachment Thru Hole PCB, Up To 8 GHz Smooth Bore from Pasternack Enterprises has same day shipment for domestic and International orders. Our RF, microwave and fiber optic products maintain a 99% availability and are part of the broadest selection in the industry.

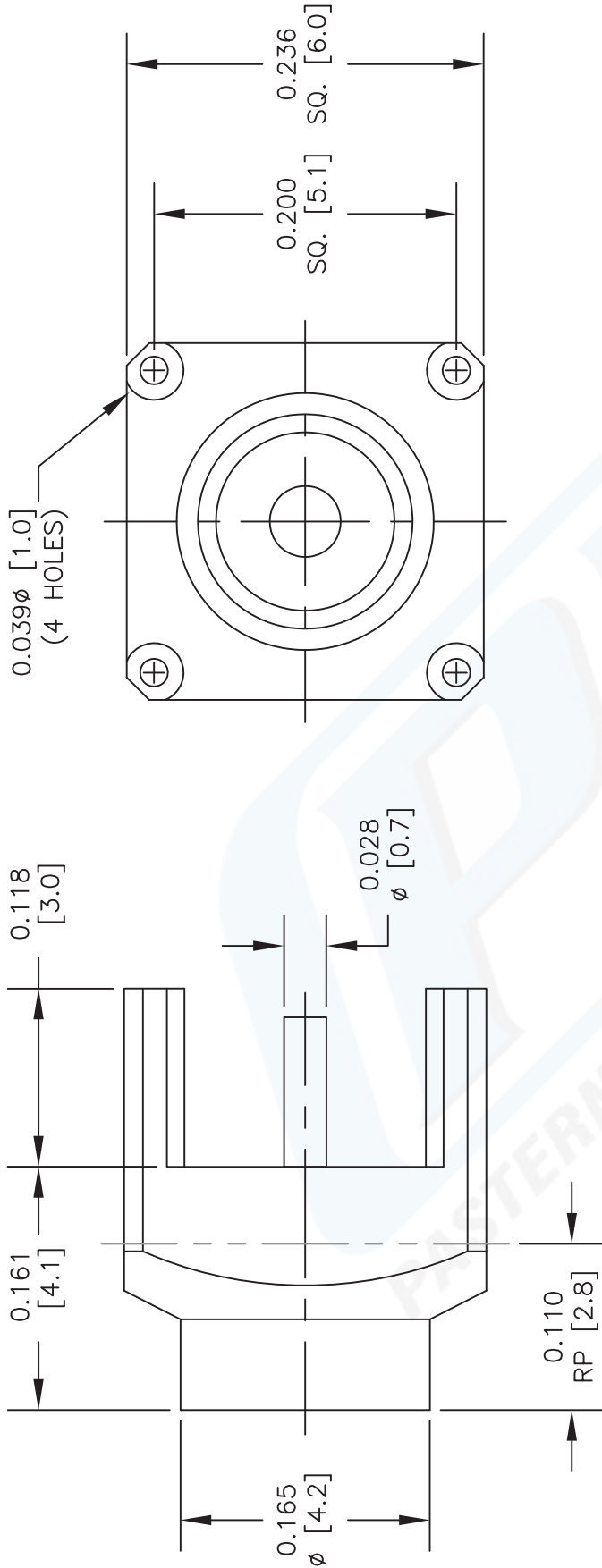
Click the following link (or enter part number in "SEARCH" on website) to obtain additional part information including price, inventory and certifications: [SMP Male Connector Solder Attachment Thru Hole PCB, Up To 8 GHz Smooth Bore PE44840](#)

URL: <http://www.pasternack.com/smp-male-standard-thru-hole-pcb-connector-pe44840-p.aspx>

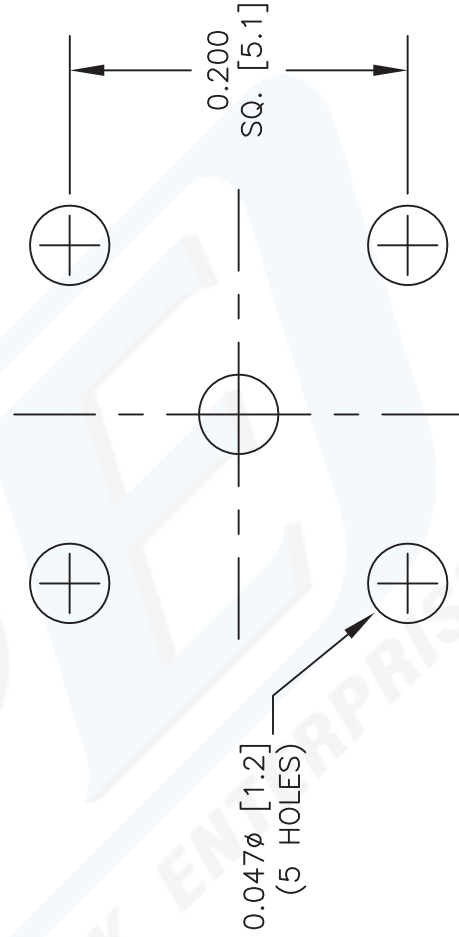
The information contained in this document is accurate to the best of our knowledge and representative of the part described herein. It may be necessary to make modifications to the part and/or the documentation of the part, in order to implement improvements. Pasternack reserves the right to make such changes as required. Unless otherwise stated, all specifications are nominal.

# PE44840 CAD Drawing

SMP Male Connector Solder Attachment Thru Hole PCB, Up To 8 GHz Smooth Bore



SMOOTH BORE  
SMP STRAIGHT MALE



MOUNTING HOLE

NOTE: ALL TOLERANCES ARE  $\pm 0.005$  [0.127] UNLESS OTHERWISE SPECIFIED.

DWG TITLE

**PE44840**

- NOTES:
1. UNLESS OTHERWISE SPECIFIED ALL DIMENSIONS ARE NOMINAL.
  2. ALL SPECIFICATIONS ARE SUBJECT TO CHANGE WITHOUT NOTICE AT ANY TIME.
  3. DIMENSIONS ARE IN INCHES [mm].
  4. FITS MIL-C-17 AND EQUIVALENT CABLES.

**PE PASTERNAK®**  
 Pasternack Enterprises, Inc.  
 P.O. Box 16759 | Irvine | CA | 92623  
 Phone: (949) 261-1920 | Fax: (949) 261-7451  
 Website: www.pasternack.com | E-Mail: sales@pasternack.com

FSCM NO. 53919

CAD FILE 070313

SCALE N/A

SIZE A

2233