



# MCX Jack Bulkhead Mount Connector Solder Attachment Turret Terminal, .177 inch D Hole

## RF Connectors Technical Data Sheet

PE4561

### Configuration

- MCX Jack Connector
- CECC 22220
- 50 Ohms
- Straight Body Geometry
- Turret Interface Type
- Solder Attachment
- Bulkhead

### Features

- Max. Operating Frequency 6 GHz
- Good VSWR of 1.5:1
- Gold Plated Beryllium Copper Contact
- 30 µin minimum contact plating

### Applications

- General Purpose Test
- Rack and Panel Mount Applications

### Description

Pasternack's PE4561 MCX jack bulkhead mount connector solder attachment turret terminal, .177 inch D hole is part of our full line of RF components available for same-day shipping. Our MCX jack connector operates up to a maximum frequency of 6 GHz and offers good VSWR of 1.5:1. This MCX bulkhead connector allows designers to create external connections on their product enclosures, and can be used in a variety of other rack mount and panel mount applications.

Our MCX jack bulkhead connector PE4561 datasheet specifications and drawing with dimensions are shown below in this PDF. Pasternack's broad catalog of RF, microwave and millimeter wave connectors allows designers to configure and customize their signal connections however they like. Whether the need is to provide an I/O for a board design, or simply create a custom cable assembly configuration, Pasternack has the right connector for the job. Pasternack can also expertly build your custom cable connector assemblies for you and ship same-day.

### Electrical Specifications

Description	Minimum	Typical	Maximum	Units
Frequency Range	DC		6	GHz
VSWR			1.5:1	
Operating Voltage (AC)			335	Vrms

### Performance by Frequency

Description	F1	F2	F3	F4	F5	Units
Frequency Range	DC to 2	2 to 6				GHz
VSWR, Max	1.3:1	1.5:1				

Click the following link (or enter part number in "SEARCH" on website) to obtain additional part information including price, inventory and certifications: [MCX Jack Bulkhead Mount Connector Solder Attachment Turret Terminal, .177 inch D Hole PE4561](#)



MCX Jack Bulkhead Mount Connector Solder Attachment Turret Terminal, .177 inch D Hole

RF Connectors Technical Data Sheet

PE4561

**Mechanical Specifications**

**Size**

Length	0.35 in [8.89 mm]
Width/Dia.	0.256 in [6.50 mm]
Weight	0.003 lbs [1.36 g]

**Material Specifications**

Description	Material	Plating
Contact	Beryllium Copper	Gold 30 µin minimum
Insulation	PTFE	
Body	Brass	Gold 30 µin minimum

**Environmental Specifications**

**Temperature**

Operating Range	-55 to +155 deg C
-----------------	-------------------

**Compliance Certifications** (see [product page](#) for current document)

**Plotted and Other Data**

Notes:

MCX Jack Bulkhead Mount Connector Solder Attachment Turret Terminal, .177 inch D Hole from Pasternack Enterprises has same day shipment for domestic and International orders. Our RF, microwave and millimeter wave products maintain a 99% availability and are part of the broadest selection in the industry.

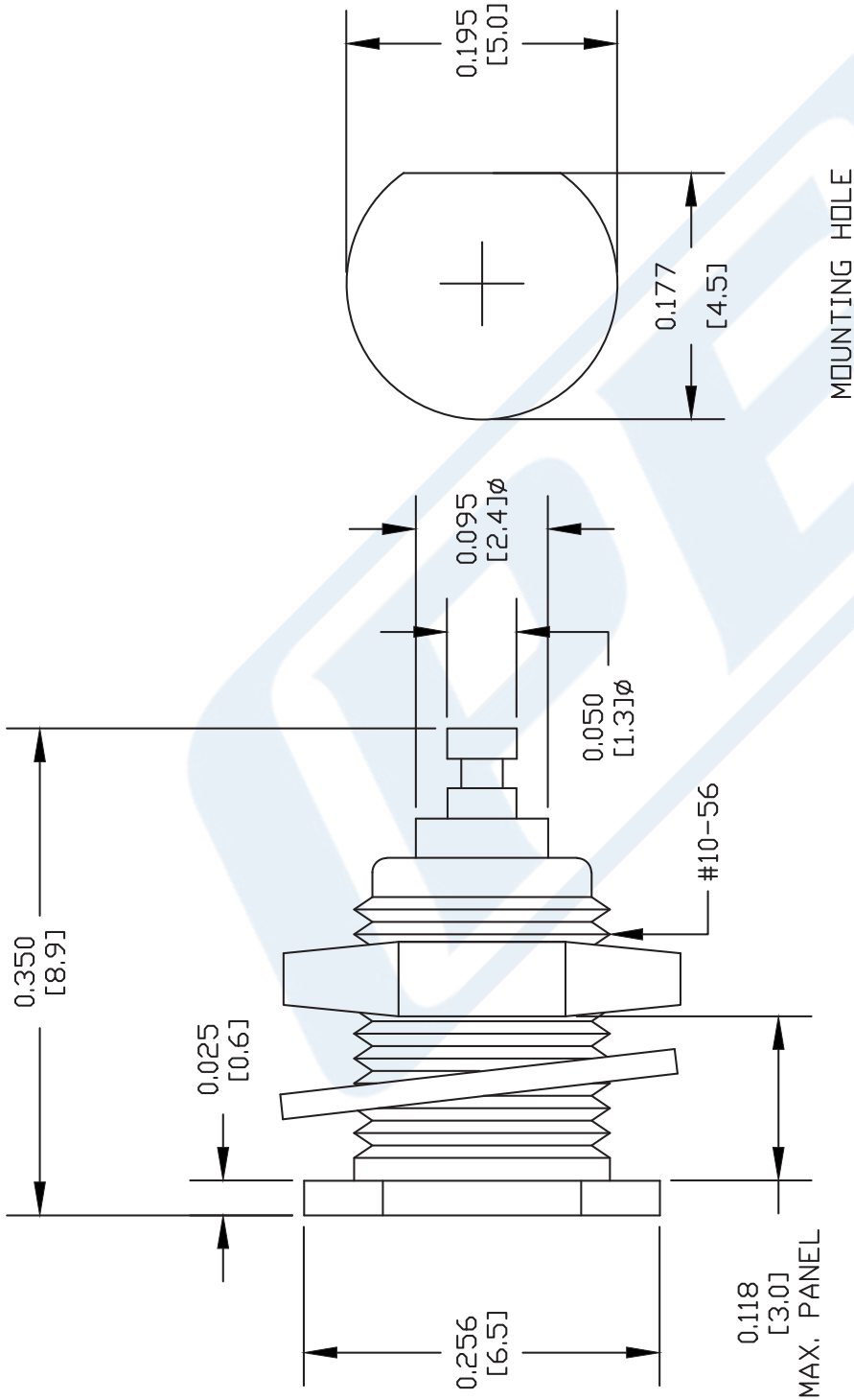
Click the following link (or enter part number in "SEARCH" on website) to obtain additional part information including price, inventory and certifications: [MCX Jack Bulkhead Mount Connector Solder Attachment Turret Terminal, .177 inch D Hole PE4561](#)

URL: <https://www.pasternack.com/mcx-jack-standard-turret-terminal-connector-pe4561-p.aspx>

The information contained in this document is accurate to the best of our knowledge and representative of the part described herein. It may be necessary to make modifications to the part and/or the documentation of the part, in order to implement improvements. Pasternack reserves the right to make such changes as required. Unless otherwise stated, all specifications are nominal. Pasternack does not make any representation or warranty regarding the suitability of the part described herein for any particular purpose, and Pasternack does not assume any liability arising out of the use of any part or documentation.

# PE4561 CAD Drawing

MCX Jack Bulkhead Mount Connector Solder Attachment Turret Terminal, .177 inch D Hole



DWG TITLE

**PE4561**

FSCM NO. 53919

- NOTES:
1. UNLESS OTHERWISE SPECIFIED ALL DIMENSIONS ARE NOMINAL.
  2. ALL SPECIFICATIONS ARE SUBJECT TO CHANGE WITHOUT NOTICE AT ANY TIME.
  3. DIMENSIONS ARE IN INCHES [mm].
  4. FITS MIL-C-17 AND EQUIVALENT CABLES.

CAD FILE 060302

SCALE N/A

SIZE A

XXXX



**PASTERNAK®**  
 Pasternack Enterprises, Inc.  
 P.O. Box 16759 | Irvine | CA | 92623  
 Phone: (949) 261-1920 | Fax: (949) 261-7451  
 Website: www.pasternack.com | E-Mail: sales@pasternack.com