



7/16 DIN Female Connector Solder Attachment 4 Hole Flange  
Mount Solder Cup Terminal, .975 inch Hole Spacing

**RF Connectors**  
**Technical Data Sheet**

**PE4573**

**Configuration**

- 7/16 DIN Female Connector
- IEC 169-4
- 50 Ohms
- Straight Body Geometry
- Connector Interface Types: Solder Cup
- 4 Hole Flange

**Features**

- Max. Operating Frequency 7.5 GHz
- Silver Plated Phosphor Bronze Contact
- Contact plating according to ASTM-B700

**Applications**

- General Purpose Test
- Rack and Panel Mount Applications

**Description**

Pasternack's PE4573 7/16 DIN female 4 hole flange mount connector with Solder Cup terminal (.975 inch hole spacing) is part of our full line of RF components available for same-day shipping. Our 7/16 DIN female connector operates up to a maximum frequency of 7.5 GHz. This 7/16 DIN 4 hole flange connector allows designers to create external connections on their product enclosures, and can be used in a variety of other rack mount and panel mount applications.

Our 7/16 DIN female 4 hole flange connector PE4573 datasheet specifications and drawing with dimensions are shown below in this PDF. Pasternack's broad catalog of RF, microwave and millimeter wave connectors allows designers to configure and customize their signal connections however they like. Whether the need is to provide an I/O for a board design, or simply create a custom cable assembly configuration, Pasternack has the right connector for the job. Pasternack can also expertly build your custom cable assemblies for you and ship same-day.

**Electrical Specifications**

Description	Minimum	Typical	Maximum	Units
Frequency Range	DC		7.5	GHz
Operating Voltage (AC)			2,700	Vrms
Dielectric Withstanding Voltage (AC)			4,000	Vrms
Insulation Resistance	10,000			MOhms

**Mechanical Specifications**

**Size**

Length	0.976 in [24.79 mm]
Width/Dia.	1.25 in [31.75 mm]
Height	1.25 in [31.75 mm]
Weight	0.176 lbs [79.83 g]

Click the following link (or enter part number in "SEARCH" on website) to obtain additional part information including price, inventory and certifications: [7/16 DIN Female Connector Solder Attachment 4 Hole Flange Mount Solder Cup Terminal, .975 inch Hole Spacing PE4573](#)



7/16 DIN Female Connector Solder Attachment 4 Hole Flange  
Mount Solder Cup Terminal, .975 inch Hole Spacing

**RF Connectors**  
**Technical Data Sheet**

**PE4573**

**Material Specifications**

Description	Material	Plating
Contact	Phosphor Bronze	Silver ASTM-B700
Insulation	PTFE	
Body	Brass	Nickel ASTM-B689

**Environmental Specifications**

**Temperature**

Operating Range -55 to +155 deg C

**Compliance Certifications** (see [product page](#) for current document)

**Plotted and Other Data**

Notes:

7/16 DIN Female Connector Solder Attachment 4 Hole Flange Mount Solder Cup Terminal, .975 inch Hole Spacing from Pasternack Enterprises has same day shipment for domestic and International orders. Our RF, microwave and millimeter wave products maintain a 99.4% availability and are part of the broadest selection in the industry.

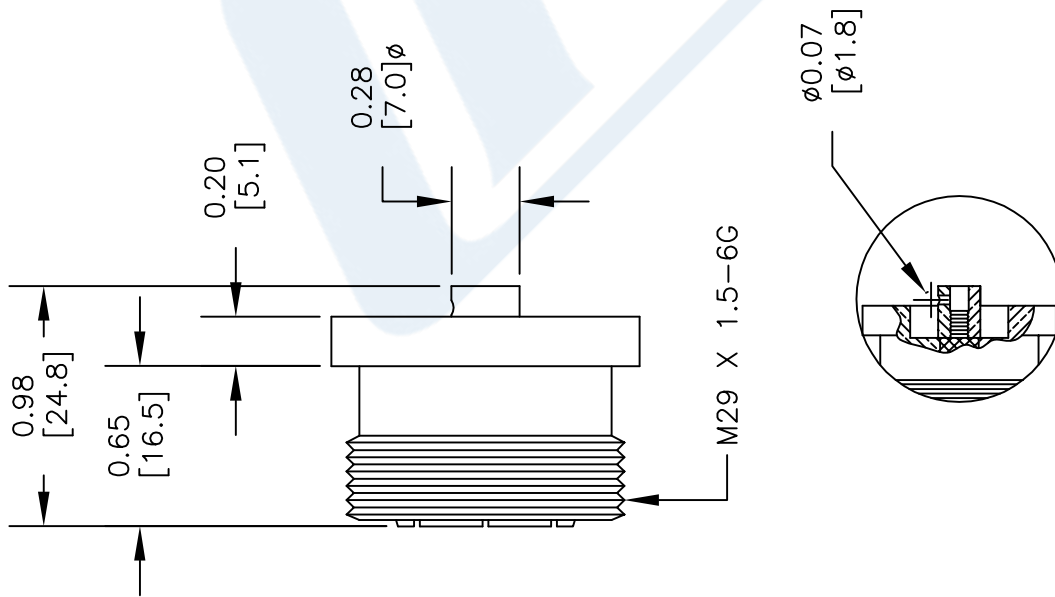
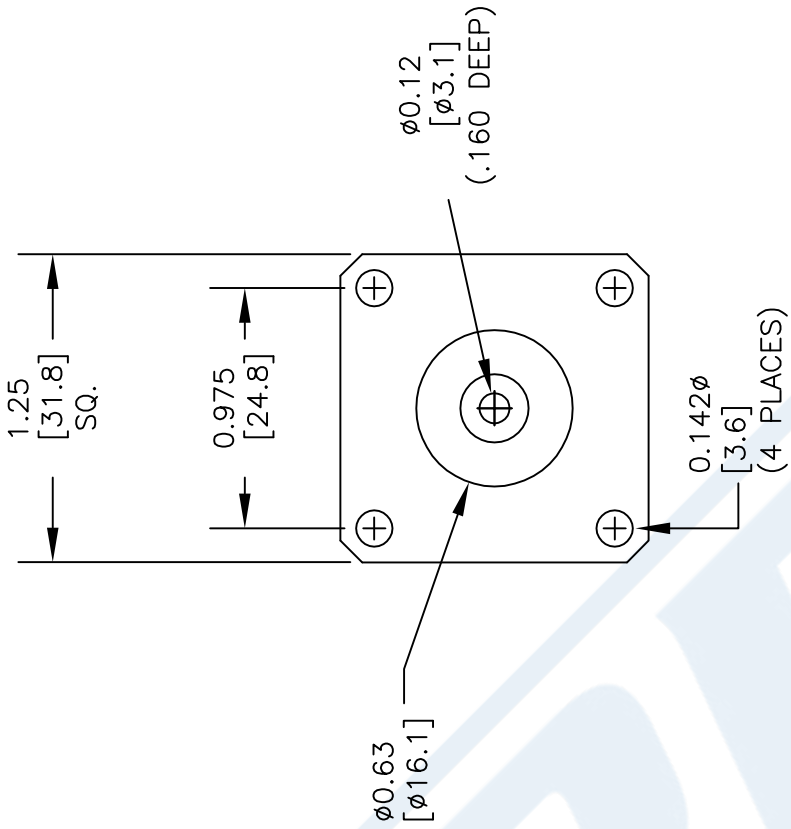
Click the following link (or enter part number in "SEARCH" on website) to obtain additional part information including price, inventory and certifications: [7/16 DIN Female Connector Solder Attachment 4 Hole Flange Mount Solder Cup Terminal, .975 inch Hole Spacing PE4573](#)

URL: <https://www.pasternack.com/7-16-female-standard-solder-cup-terminal-connector-pe4573-p.aspx>

The information contained in this document is accurate to the best of our knowledge and representative of the part described herein. It may be necessary to make modifications to the part and/or the documentation of the part, in order to implement improvements. Pasternack reserves the right to make such changes as required. Unless otherwise stated, all specifications are nominal. Pasternack does not make any representation or warranty regarding the suitability of the part described herein for any particular purpose, and Pasternack does not assume any liability arising out of the use of any part or documentation.

# PE4573 CAD Drawing

7/16 DIN Female Connector Solder Attachment 4 Hole Flange  
Mount Solder Cup Terminal, .975 inch Hole Spacing



DWG TITLE

**PE4573**

- NOTES:  
1. UNLESS OTHERWISE SPECIFIED ALL DIMENSIONS ARE NOMINAL.  
2. ALL SPECIFICATIONS ARE SUBJECT TO CHANGE WITHOUT NOTICE AT ANY TIME.  
3. DIMENSIONS ARE IN INCHES (mm).  
4. FITS MIL-C-17 AND EQUIVALENT CABLES.

FSCM NO. 53919

CAD FILE 021214

SCALE N/A

SIZE A

150

**PE PASTERNAK**  
THE ENGINEER'S RF SOURCE  
Pasternack Enterprises, Inc.  
P.O. Box 16759 | Irvine | CA | 92623

Phone: (949) 261-1920 | Fax: (949) 261-7451

Website: www.pasternack.com | E-Mail: sales@pasternack.com