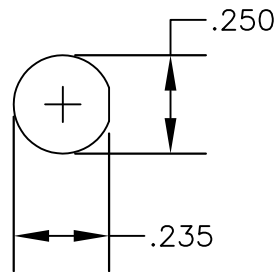
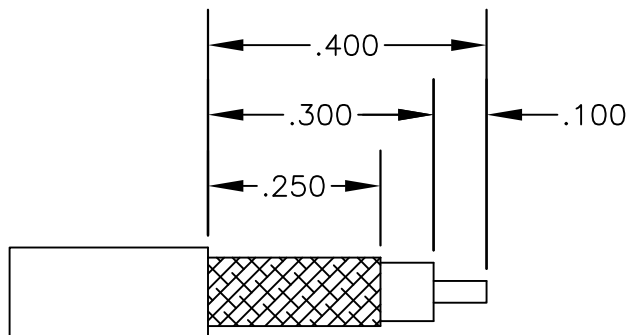
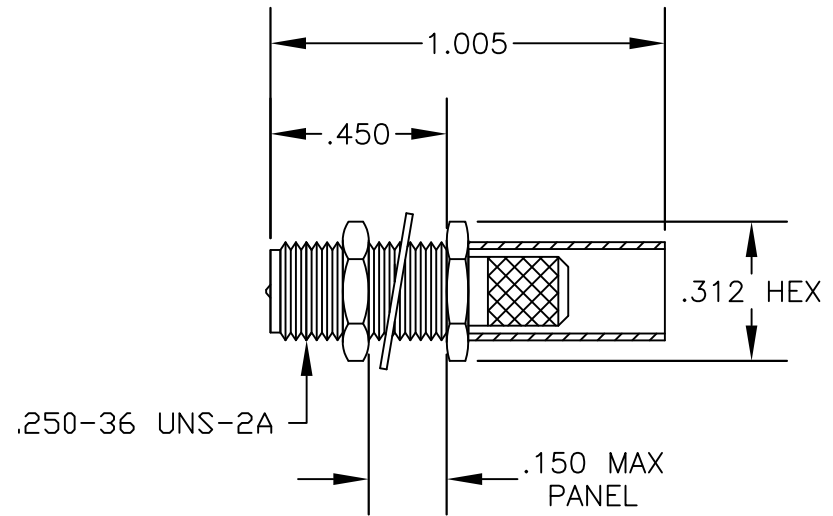


**MATERIALS**

<b>BODY</b>	<b>BRASS NICKEL PLATED</b>
<b>CONTACT</b>	<b>GOLD PLATED</b>
<b>INSULATOR</b>	<b>PTFE</b>
<b>FERRULE</b>	<b>GOLD PLATED</b>



MOUNTING HOLE



STRIPPING DIMENSIONS

CONTACT: SOLDER  
FERRULE: SOLDER



**PASTERNACK ENTERPRISES, INC.**

P.O. BOX 16759, IRVINE, CA 92623  
PHONE (949) 261-1920 FAX (949) 261-7451

WEB ADDRESS: [www.pasternack.com](http://www.pasternack.com)  
E-MAIL ADDRESS: [sales@pasternack.com](mailto:sales@pasternack.com)

**COAXIAL & FIBER OPTICS**

DWG TITLE

**PE4856**

DES.

REVERSE POLARITY SMA FEMALE,  
BULKHEAD, SOLDER ATTACHMENT FOR  
RG55, RG58, RG142, RG223 & RG400

SIZE A

**FSCM NO. 53919**

CAD FILE

063003

SCALE N/A

127

NOTES:

1. UNLESS OTHERWISE SPECIFIED ALL DIMENSIONS ARE NOMINAL.
2. ALL SPECIFICATIONS ARE SUBJECT TO CHANGE WITHOUT NOTICE AT ANY TIME.