



Crimp Tool With 0.068, 0.213, 0.255 Hex Sizes For
RG55, RG58, RG59, RG62, RG142, RG223 RG400

TECHNICAL DATA SHEET

PE5001

Crimp Tool With 0.068, 0.213, 0.255 Hex Sizes For RG55, RG58, RG59, RG62, RG142, RG223 RG400

Configuration

Tool Type	Crimp Tool
Hex Size, Cable Type	0.068, 0.213, 0.255 RG55, RG58, RG59, RG62, RG142, RG223 RG400

Mechanical Specifications

Size

Length, in [mm]	8.85 [224.79]
Width, in [mm]	2.16 [55]
Weight, lbs [g]	0.991 [449.51]
Handle Color	Red

Compliance Certifications (visit www.Pasternack.com for current document)

RoHS Compliant	Yes
----------------	-----

Plotted and Other Data

Notes:	Values at 25 °C, sea level
--------	----------------------------

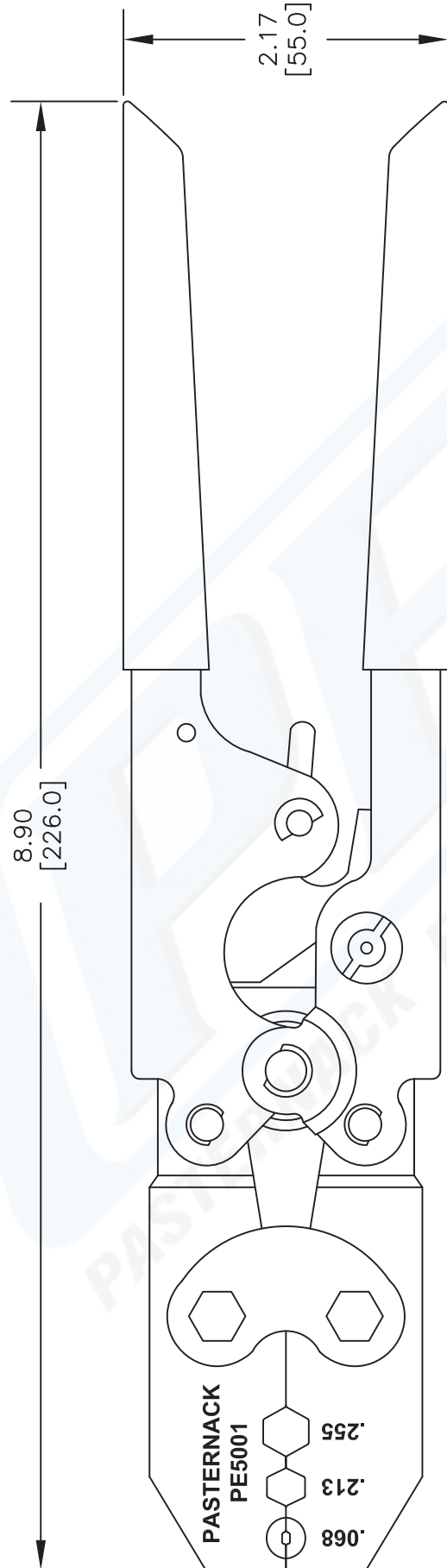
URL: <http://www.pasternack.com/crimp-tool-0.068-0.213-0.255-hex-bit-rg58-rg59-rg142-rg223-rg400-pe5001-p.aspx>

Crimp Tool With 0.068, 0.213, 0.255 Hex Sizes For RG55, RG58, RG59, RG62, RG142, RG223 RG400 from Pasternack Enterprises has same day shipment for domestic and International orders. Our RF, microwave and fiber optic products maintain a 99% availability and are part of the broadest selection in the industry.

The information contained in this document is accurate to the best of our knowledge and representative of the part described herein. It may be necessary to make modifications to the part and/or the documentation of the part, in order to implement improvements. Pasternack reserves the right to make such changes as required. Unless otherwise stated, all specifications are nominal.

PE5001 CAD Drawing

Crimp Tool With 0.068, 0.213, 0.255 Hex Sizes For RG55,
RG58, RG59, RG62, RG142, RG223 RG400



DWG TITLE

PE5001

NOTES:
1. UNLESS OTHERWISE SPECIFIED ALL DIMENSIONS ARE NOMINAL.
2. ALL SPECIFICATIONS ARE SUBJECT TO CHANGE WITHOUT NOTICE AT ANY TIME.
3. DIMENSIONS ARE IN INCHES [mm].

FSCM NO. 53919

CAD FILE 012208

SCALE N/A

SIZE A

2233



PASTERNAK®
Pasternack Enterprises, Inc.
P.O. Box 16759 | Irvine | CA | 92623
Phone: (949) 261-1920 | Fax: (949) 261-7451
Website: www.pasternack.com | E-Mail: sales@pasternack.com