



Crimp Tool For Compression Connectors For RG6, RG11, RG59

TECHNICAL DATA SHEET

PE5012

Crimp Tool For Compression Connectors For RG6, RG11, RG59

Configuration

Tool Type	Crimp Tool For Compression Connectors
Cable Type	RG6, RG11, RG59

Mechanical Specifications

Size	
Length, in [mm]	8.75 [222.25]
Handle Color	Blue

Compliance Certifications (visit www.Pasternack.com for current document)

Plotted and Other Data

Notes:	Values at 25 °C, sea level
--------	----------------------------

Crimp Tool For Compression Connectors For RG6, RG11, RG59 from Pasternack Enterprises has same day shipment for domestic and International orders. Our RF, microwave and fiber optic products maintain a 99% availability and are part of the broadest selection in the industry.

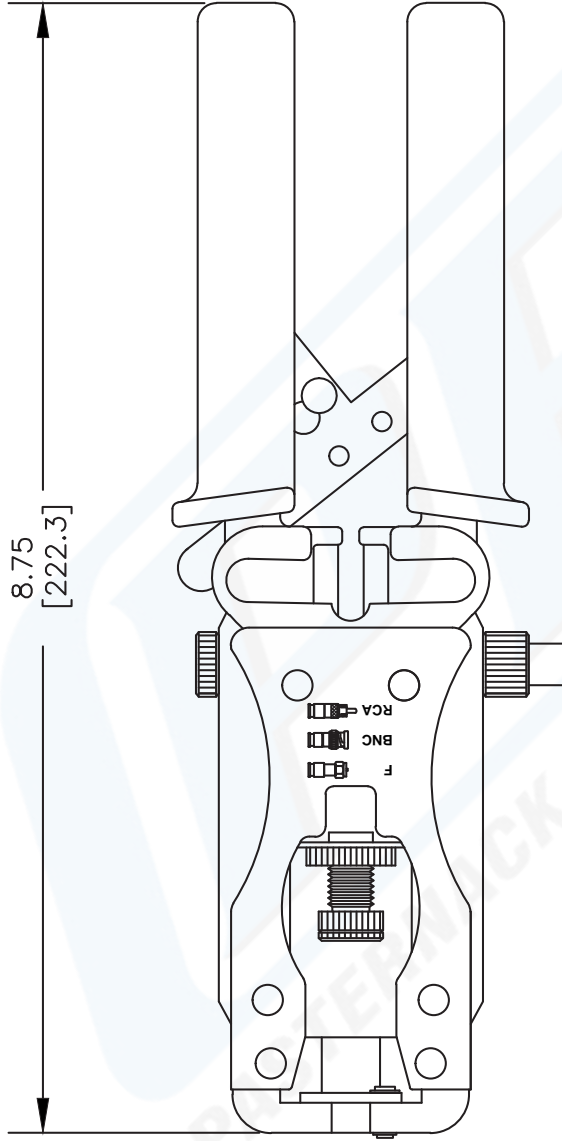
Click the following link (or enter part number in "SEARCH" on website) to obtain additional part information including price, inventory and certifications: [Crimp Tool For Compression Connectors For RG6, RG11, RG59 PE5012](#)

URL: <http://www.pasternack.com/crimp-tool-for-compression-connectors-hex-bit-rg6-rg11-rg59-pe5012-p.aspx>

The information contained in this document is accurate to the best of our knowledge and representative of the part described herein. It may be necessary to make modifications to the part and/or the documentation of the part, in order to implement improvements. Pasternack reserves the right to make such changes as required. Unless otherwise stated, all specifications are nominal.

PE5012 CAD Drawing

Crimp Tool For Compression Connectors For RG6, RG11, RG59



NOTES:
 1. UNLESS OTHERWISE SPECIFIED ALL DIMENSIONS ARE NOMINAL.
 2. ALL SPECIFICATIONS ARE SUBJECT TO CHANGE WITHOUT NOTICE AT ANY TIME.
 3. DIMENSIONS ARE IN INCHES [mm].

DWG TITLE
PE5012

FSCM NO. 53919

CAD FILE 012709

SCALE N/A

SIZE A

XXX

PE PASTERNAK
 Pasternack Enterprises, Inc.
 P.O. Box 16759 | Irvine | CA | 92623
 Phone: (949) 261-1920 | Fax: (949) 261-7451
 Website: www.pasternack.com | E-Mail: sales@pasternack.com