



GPS Active Dual Band Antenna Operates From 1.22 GHz to 1.58 GHz With a Nominal 6 dBic Gain N Female Input Connector

Antennas Technical Data Sheet

PE51069

Configuration

Design	GPS Active
Frequency Range	1.22 to 1.58 GHz
Polarization	RHCP
Connector Type	N Female

Electrical Specifications

Description	Minimum	Typical	Maximum	Units
Impedance		50		Ohms
Gain	6			dBic
Vertical (Elevation) Beam Width		360		Degrees
Operating DC Voltage	3.3		15	Volts

Specifications by Band

Description	Band 1	Band 2	Band 3	Band 4	Band 5	Units
Range	1.22 to 1.23	1.53 to 1.58				GHz

Mechanical Specifications

Width	5.48 in [139.19 mm]
Height	7.02 in [178.31 mm]
Weight	2.62 lbs [1.19 Kg]

Environmental Specifications

Temperature

Operating Range	-40 to +85 deg C
Storage Range	-50 to +90 deg C

Compliance Certifications (see [product page](#) for current document)

Plotted and Other Data

2 Dimensional OML Drawing	PE51069
Notes:	

Click the following link (or enter part number in "SEARCH" on website) to obtain additional part information including price, inventory and certifications: [GPS Active Dual Band Antenna Operates From 1.22 GHz to 1.58 GHz With a Nominal 6 dBic Gain N Female Input Connector PE51069](#)



GPS Active Dual Band Antenna Operates From 1.22 GHz to 1.58 GHz With a Nominal 6 dBic Gain N Female Input Connector

Antennas Technical Data Sheet

PE51069

GPS Active Dual Band Antenna Operates From 1.22 GHz to 1.58 GHz With a Nominal 6 dBic Gain N Female Input Connector from Pasternack Enterprises has same day shipment for domestic and International orders. Our RF, microwave and millimeter wave products maintain a 99.4% availability and are part of the broadest selection in the industry.

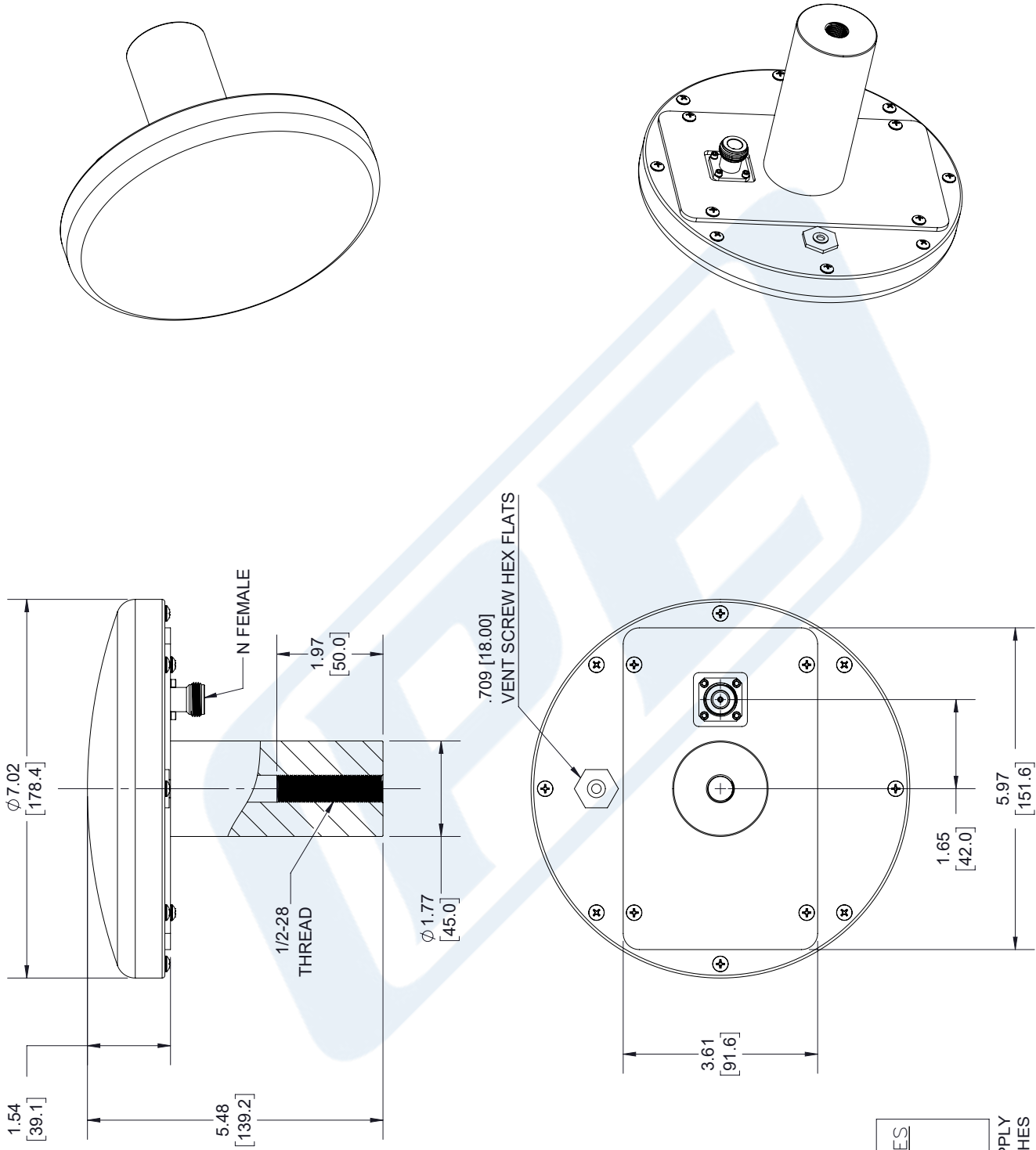
Click the following link (or enter part number in "SEARCH" on website) to obtain additional part information including price, inventory and certifications: [GPS Active Dual Band Antenna Operates From 1.22 GHz to 1.58 GHz With a Nominal 6 dBic Gain N Female Input Connector PE51069](https://www.pasternack.com/dual-band-antenna-high-performance-l1-l2-gps-active-antenna-56-db-pe51069-p.aspx)

URL: <https://www.pasternack.com/dual-band-antenna-high-performance-l1-l2-gps-active-antenna-56-db-pe51069-p.aspx>

The information contained in this document is accurate to the best of our knowledge and representative of the part described herein. It may be necessary to make modifications to the part and/or the documentation of the part, in order to implement improvements. Pasternack reserves the right to make such changes as required. Unless otherwise stated, all specifications are nominal. Pasternack does not make any representation or warranty regarding the suitability of the part described herein for any particular purpose, and Pasternack does not assume any liability arising out of the use of any part or documentation.

PE51069 CAD Drawing

GPS Active Dual Band Antenna Operates From 1.22 GHz to 1.58 GHz
With a Nominal 6 dBic Gain N Female Input Connector



STANDARD TOLERANCES	
.X	± 0.2
.XX	± 0.01
.XXX	± 0.005

*STANDARD TOLERANCES APPLY ONLY TO DIMENSIONS IN INCHES

PE PASTERNAK®
THE ENGINEER'S RF SOURCE
Pasternack Enterprises, Inc.
P.O. Box 16759 | Irvine | CA | 92623
Phone: (949) 261-1920 | Fax: (949) 261-7451
Website: www.pasternack.com | E-Mail: sales@pasternack.com

DWG TITLE	PE51069
CAGE CODE	53919

NOTES: 1. UNLESS OTHERWISE SPECIFIED ALL DIMENSIONS ARE NOMINAL. 2. ALL SPECIFICATIONS ARE SUBJECT TO CHANGE WITHOUT NOTICE AT ANY TIME. 3. DIMENSIONS ARE IN INCHES [mm].			
CAD FILE	04/03/18	SCALE	N/A
SIZE	A		
			7361