



Rubber Duck Portable Dual Band Antenna Operates
 From 2.4 to 5.825 GHz With a Nominal 2 dBi Gain
 Reverse Polarity SMA Male Input Connector

Antennas Technical Data Sheet

PE51080

Configuration

Design	Portable
Band Type	Dual
Radiation Pattern	Omni Directional
Polarization	Vertical
Connector Type	SMA Male Reverse Polarity

Electrical Specifications

Description	Minimum	Typical	Maximum	Units
Frequency Range	2.4		5.825	GHz
Input VSWR			2:1	
Impedance		50		Ohms
Gain	2			dBi

Specifications by Band

Description	Band 1	Band 2	Band 3	Band 4	Band 5	Units
Range	2.4 to 2.5	4.9 to 5.825				GHz

Mechanical Specifications

Radome Material	PU
Size	
Overall Length	4.25 in [107.95 mm]
Width	0.366 in [9.3 mm]
Weight	0.026 lbs [11.79 g]

Compliance Certifications (see [product page](#) for current document)

Plotted and Other Data

2 Dimensional OML Drawing	PE51080
Notes:	

Click the following link (or enter part number in "SEARCH" on website) to obtain additional part information including price, inventory and certifications: [Rubber Duck Portable Dual Band Antenna Operates From 2.4 to 5.825 GHz With a Nominal 2 dBi Gain Reverse Polarity SMA Male Input Connector PE51080](#)



Rubber Duck Portable Dual Band Antenna Operates
From 2.4 to 5.825 GHz With a Nominal 2 dBi Gain
Reverse Polarity SMA Male Input Connector

Antennas Technical Data Sheet

PE51080

Rubber Duck Portable Dual Band Antenna Operates From 2.4 to 5.825 GHz With a Nominal 2 dBi Gain Reverse Polarity SMA Male Input Connector from Pasternack Enterprises has same day shipment for domestic and International orders. Our RF, microwave and millimeter wave products maintain a 99.4% availability and are part of the broadest selection in the industry.

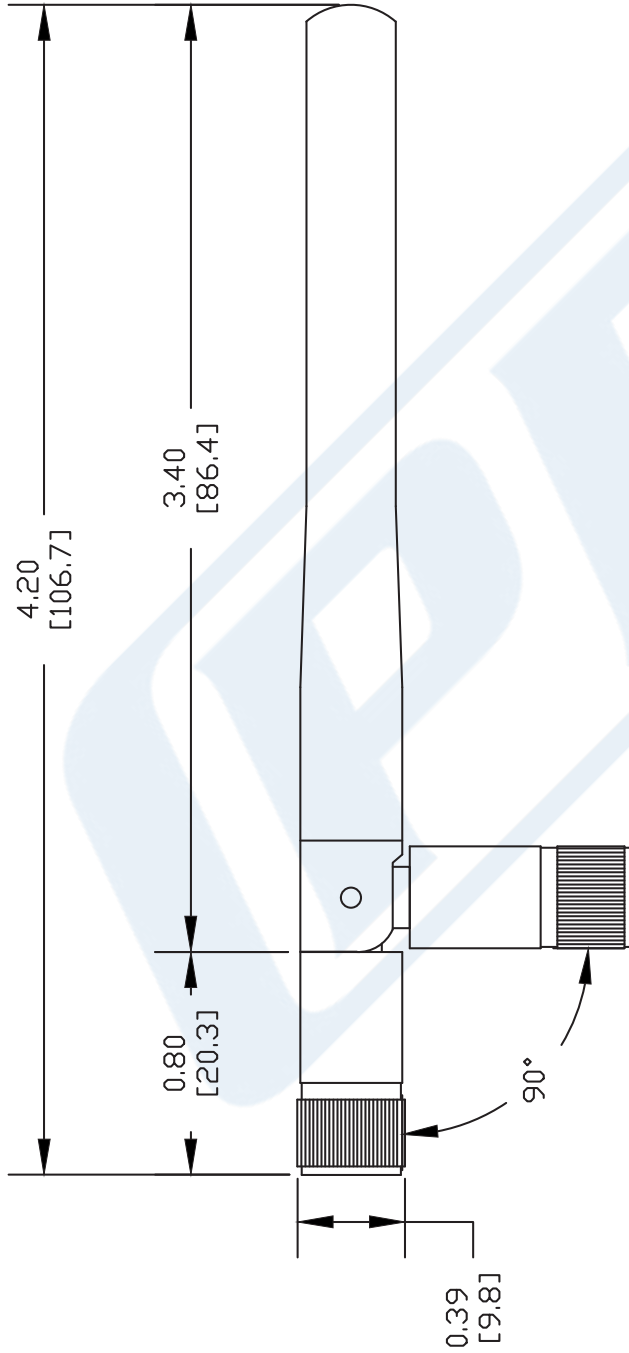
Click the following link (or enter part number in "SEARCH" on website) to obtain additional part information including price, inventory and certifications: [Rubber Duck Portable Dual Band Antenna Operates From 2.4 to 5.825 GHz With a Nominal 2 dBi Gain Reverse Polarity SMA Male Input Connector PE51080](https://www.pasternack.com/rubber-duck-dual-band-antenna-reverse-polarity-sma-male-2-dbi-pe51080-p.aspx)

URL: <https://www.pasternack.com/rubber-duck-dual-band-antenna-reverse-polarity-sma-male-2-dbi-pe51080-p.aspx>

The information contained in this document is accurate to the best of our knowledge and representative of the part described herein. It may be necessary to make modifications to the part and/or the documentation of the part, in order to implement improvements. Pasternack reserves the right to make such changes as required. Unless otherwise stated, all specifications are nominal. Pasternack does not make any representation or warranty regarding the suitability of the part described herein for any particular purpose, and Pasternack does not assume any liability arising out of the use of any part or documentation.

PE51080 CAD Drawing

Rubber Duck Portable Dual Band Antenna Operates From 2.4 to 5.825 GHz
With a Nominal 2 dBi Gain Reverse Polarity SMA Male Input Connector



NOTES:
1. UNLESS OTHERWISE SPECIFIED ALL DIMENSIONS ARE NOMINAL.
2. ALL SPECIFICATIONS ARE SUBJECT TO CHANGE WITHOUT NOTICE AT ANY TIME.
3. DIMENSIONS ARE IN INCHES (mm).

DWG TITLE
PE51080

FSCM NO. 53919

XXXX

SIZE A

SCALE N/A

CAD FILE 031413



Pasternack Enterprises, Inc.
P.O. Box 16759 | Irvine | CA | 92623
Phone: (949) 261-1920 | Fax: (949) 261-7451
Website: www.pasternack.com | E-Mail: sales@pasternack.com