

SMA Male Non-Magnetic Connector Solder Attachment for 0.086 Semi-Rigid, PE-SR405-NM



PE517808

Configuration

- SMA Male Connector
- 50 Ohms
- Straight Body Geometry
- Connector Interface Types: 0.086 Semi-Rigid, PE-SR405-NM
- Non-Magnetic Design

Features

- Max. Operating Frequency 18 GHz
- Excellent VSWR of 1.25:1
- Gold Plated Contact
- Contact plating according to MIL-G-45294

Applications

- General Purpose Test
- Custom Cable Assemblies

Description

Pasternack's PE517808 SMA Male Connector Solder Attachment for 0.086 Semi-Rigid and PE-SR405-NM Cable is part of our full line of RF components available for same-day shipping. Our SMA male connector operates up to a maximum frequency of 18 GHz and offers excellent VSWR of 1.25:1.

Our SMA male connector PE517808 datasheet specifications and drawing with dimensions are shown below in this PDF. Pasternack's broad catalog of RF, microwave and millimeter wave connectors allows designers to configure and customize their signal connections however they like. Whether the need is to provide an I/O for a board design, or simply create a custom cable assembly configuration, Pasternack has the right connector for the job. Pasternack can also expertly build your custom cable assemblies for you and ship same-day.

Electrical Specifications

Description	Minimum	Typical	Maximum	Units
Frequency Range	DC		18	GHz
VSWR			1.25:1	
Insertion Loss			0.21	dB
Impedance		50		Ohms

Mechanical Specifications

Size

Length	0.312 in [7.92 mm]
Width	0.312 in [7.92 mm]
Height	0.44 in [11.18 mm]
Weight	0.002 lbs [0.91 g]

SMA Male Non-Magnetic Connector Solder Attachment for 0.086 Semi-Rigid, PE-SR405-NM



PE517808

Material Specifications

Description	Material	Plating
Contact		Gold MIL-G-45294
Insulation	PTFE	
Body	Brass	Gold ASTM-B-16
Coupling Nut	Brass	Gold ASTM-B-16
Retaining Ring	Beryllium Copper	
Gasket	Silicone	

Environmental Specifications

Temperature

Compliance Certifications (see [product page](#) for current document)

Plotted and Other Data

Notes:

SMA Male Non-Magnetic Connector Solder Attachment for 0.086 Semi-Rigid, PE-SR405-NM from Pasternack Enterprises has same day shipment for domestic and International orders. Our RF, microwave and millimeter wave products maintain a 99.4% availability and are part of the broadest selection in the industry.

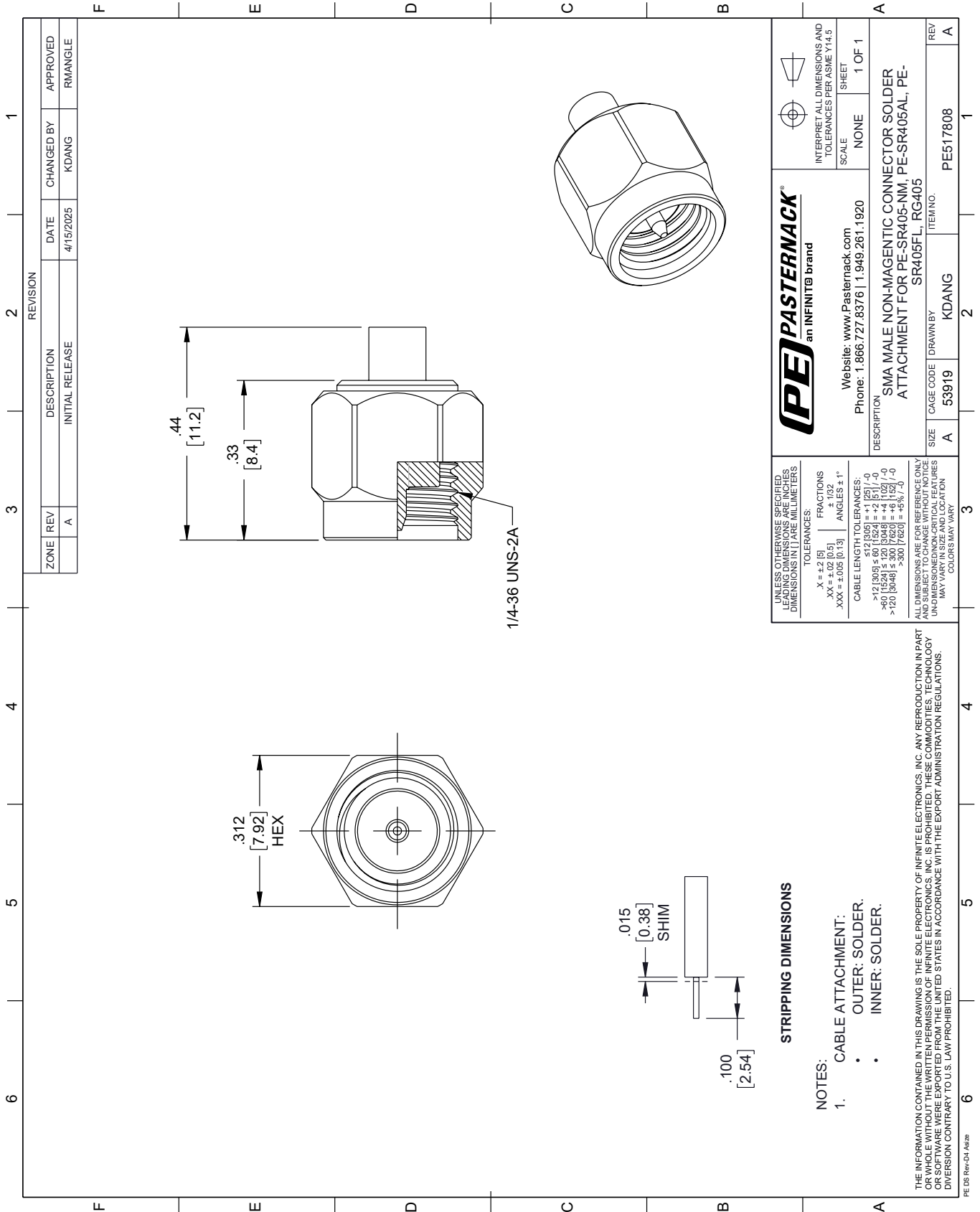
Click the following link (or enter part number in "SEARCH" on website) to obtain additional part information including price, inventory and certifications: [SMA Male Non-Magnetic Connector Solder Attachment for 0.086 Semi-Rigid, PE-SR405-NM PE517808](#)

URL: <https://www.pasternack.com/sma-male-0.086-semi-rigid-pe-sr405-nm-connector-pe517808.html>

The information contained within this document is accurate to the best of our knowledge and representative of the part described herein. It may be necessary to make modifications to the part and/or the documentation of the part in order to implement improvements. Pasternack Enterprises reserves the right to make such changes as required. Unless otherwise stated, all specifications are nominal. Pasternack Enterprises does not make any representation or warranty regarding the suitability of the part described herein for any particular purpose, and Pasternack Enterprises does not assume liability arising out of the use of any part or document.

PE517808 CAD Drawing

SMA Male Non-Magnetic Connector Solder Attachment for 0.086 Semi-Rigid, PE-SR405-NM



REVISION		DATE	CHANGED BY	APPROVED	
ZONE	REV	DESCRIPTION	DATE	CHANGED BY	APPROVED
A		INITIAL RELEASE	4/15/2025	KDANG	RMANGLE

PE PASTERNAK
an INFINITE brand

Website: www.Pasternack.com
Phone: 1.866.727.8376 | 1.949.261.1920

INTERPRET ALL DIMENSIONS AND TOLERANCES PER ASME Y14.5
SCALE NONE SHEET 1 OF 1

DESCRIPTION
SMA MALE NON-MAGNETIC CONNECTOR SOLDER ATTACHMENT FOR PE-SR405-NM, PE-SR405AL, PE-SR405FL, RG405

SIZE A CAGE CODE 53919 DRAWN BY KDANG ITEM NO. PE517808 REV A

UNLESS OTHERWISE SPECIFIED, LEADING DIMENSIONS ARE IN INCHES, DIMENSIONS IN [] ARE MILLIMETERS

TOLERANCES:
 .X = ±.2 [5] FRACTIONS ± 1/32
 .XX = ±.02 [0.5] ± 1/32
 .XXX = ±.005 [0.13] ANGLES ± 1°

CABLE LENGTH TOLERANCES:
 <12 [305] ≤ 60 [1524] = +1 [25] / -0
 >60 [1524] ≤ 120 [3048] = +4 [102] / -0
 >120 [3048] ≤ 300 [7620] = +5% / -0

ALL DIMENSIONS ARE FOR REFERENCE ONLY. UNDIMENSIONED/UNCLEAR FEATURES MAY VARY IN SIZE AND LOCATION. COLORS MAY VARY.

NOTES:
 1. CABLE ATTACHMENT:
 • OUTER: SOLDER.
 • INNER: SOLDER.

STRIPPING DIMENSIONS

THE INFORMATION CONTAINED IN THIS DRAWING IS THE SOLE PROPERTY OF INFINITE ELECTRONICS, INC. ANY REPRODUCTION IN PART OR WHOLE WITHOUT THE WRITTEN PERMISSION OF INFINITE ELECTRONICS, INC. IS PROHIBITED. THESE COMMODITIES, TECHNOLOGY OR SERVICES ARE EXPORTED FROM THE UNITED STATES IN ACCORDANCE WITH THE EXPORT ADMINISTRATION REGULATIONS. DIVISION CONTRARY TO U.S. LAW PROHIBITED.

PE DS Rev-04 Add2