



# 10 dBi Omni Antenna 1,710-2,700 MHz N Type Female Connector

## Antennas Technical Data Sheet

PE51OM1043

### Features

- All weather operation
- Includes heavy duty steel mast mounting brackets
- Lightweight fiberglass radome
- Integral N-Female connector
- Rugged industrial grade design
- 360° Omnidirectional Pattern
- 10 dBi gain

### Applications

- 1800, 1900, 2100, 2600 Cellular Band Operation
- Supports midband LTE and 5G networks
- Point to Multipoint and Non Line of Sight (NLOS) Applications

### Description

The PE51OM1043 from Pasternack is a high performance LTE outdoor omnidirectional antenna designed for Cellular Networks. The PE51OM1043 operates from 1710 to 2700 MHz which is ideal for 5G, LTE, CDMA, LPWAN/IoT/M2M applications including LoRA, LTE-M, and NB-IOT. The Multi-Band design of the Pasternack PE51OM1043 antenna eliminates the need to purchase different antennas for each frequency. The same antenna can be used for a wide array of base station cellular applications where wide coverage is desired. Pasternacks PE51OM1043 can be used to distribute Cellular telecommunication signals over a large area.

The omnidirectional antenna with vertical polarization PE51OM1043 from Pasternack has Type N connectors and 8-10 dBi of gain. The Type N connectorized PE51OM1043 antenna from Pasternack excels in large open areas. The mounting bracket and hardware are included for easy installation. Our Pasternack ISO 9001:2008 registered facilities in Irvine, CA ships all Type N RF, microwave and millimeter wave waveguide components from stock the same day you purchase them. Pasternack offers the broadest and deepest in-stock inventory and is where to buy 5G antennas. Our expert technical support and friendly, knowledgeable customer service personnel are available to assist you with your particular needs for LTE outdoor omnidirectional 5G cellular antennas.

### Configuration

|                   |                 |
|-------------------|-----------------|
| Design            | Omni            |
| Band Type         | Single          |
| Radiation Pattern | Omnidirectional |
| Polarization      | Vertical        |
| Connector Type    | N Female        |
| Number of Ports   | 1               |

### Electrical Specifications

| Description     | Minimum | Typical | Maximum | Units |
|-----------------|---------|---------|---------|-------|
| Frequency Range | 1,710   |         | 2,700   | MHz   |
| Input VSWR      |         |         | 2.3:1   |       |
| Impedance       |         | 50      |         | Ohms  |
| Gain            |         | 10      |         | dBi   |
| Input Power     |         |         | 50      | Watts |

Click the following link (or enter part number in "SEARCH" on website) to obtain additional part information including price, inventory and certifications: [10 dBi Omni Antenna 1,710-2,700 MHz N Type Female Connector PE51OM1043](#)



## 10 dBi Omni Antenna 1,710-2,700 MHz N Type Female Connector

### Antennas Technical Data Sheet

PE51OM1043

#### Mechanical Specifications

|                        |                                     |
|------------------------|-------------------------------------|
| Radome Material        | Fiberglass                          |
| <b>Size</b>            |                                     |
| Overall Length         | 38.6 in [980.44 mm]                 |
| Width                  | 1.6 in [40.64 mm]                   |
| Mounting Mast Diameter | 1.18 to 2.36 in [29.97 to 59.94 mm] |
| Weight                 | 5.07 lbs [2.3 kg]                   |

#### Environmental Specifications

|                    |                         |
|--------------------|-------------------------|
| <b>Temperature</b> |                         |
| Operating Range    | -40 to +70 deg C        |
| Wind Loading       | 124.27 MPH [199.99 KPH] |
| Humidity           | 91                      |

**Compliance Certifications** (see [product page](#) for current document)

#### Plotted and Other Data

Notes:

10 dBi Omni Antenna 1,710-2,700 MHz N Type Female Connector from Pasternack Enterprises has same day shipment for domestic and International orders. Our RF, microwave and millimeter wave products maintain a 99.4% availability and are part of the broadest selection in the industry.

Click the following link (or enter part number in "SEARCH" on website) to obtain additional part information including price, inventory and certifications: [10 dBi Omni Antenna 1,710-2,700 MHz N Type Female Connector PE51OM1043](#)

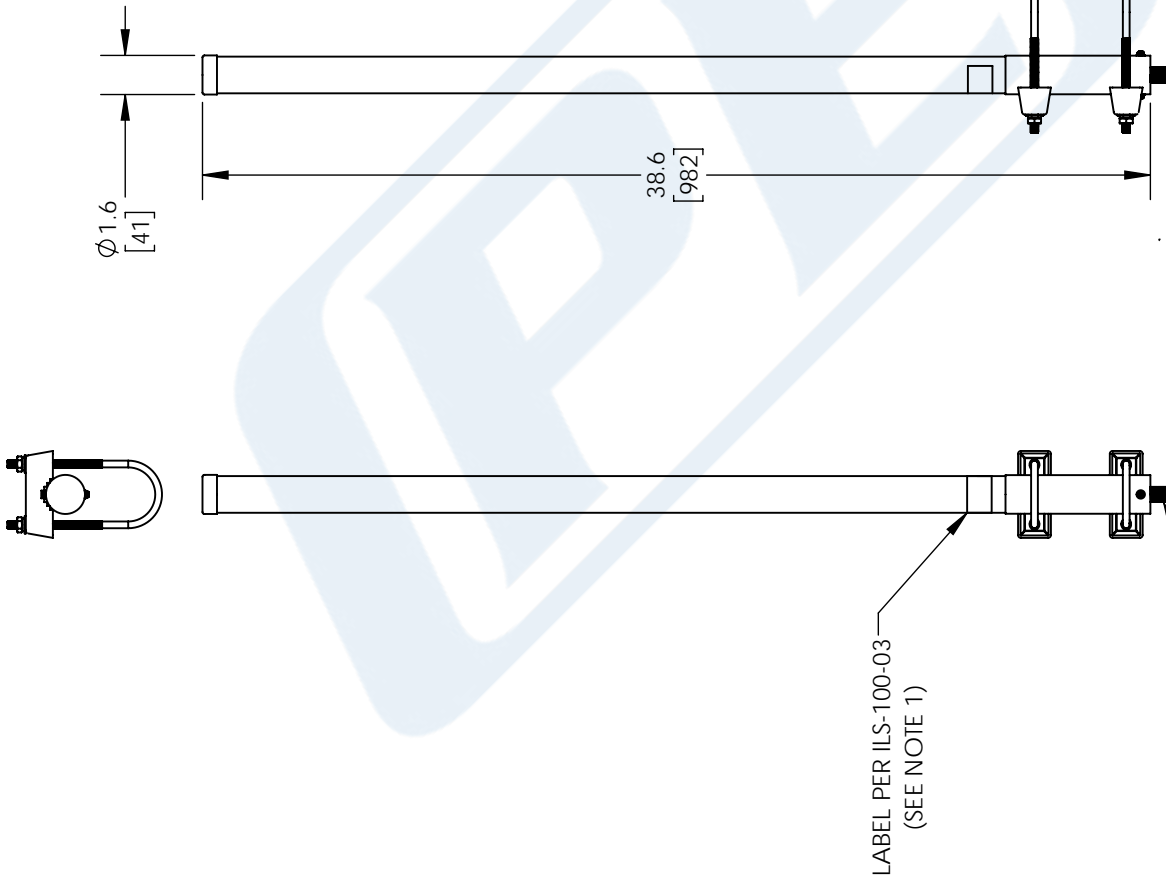
URL: <https://www.pasternack.com/single-antenna-1.71-2.7-ghz-10-dbi-gain-n-pe51om1043-p.aspx>

The information contained in this document is accurate to the best of our knowledge and representative of the part described herein. It may be necessary to make modifications to the part and/or the documentation of the part, in order to implement improvements. Pasternack reserves the right to make such changes as required. Unless otherwise stated, all specifications are nominal. Pasternack does not make any representation or warranty regarding the suitability of the part described herein for any particular purpose, and Pasternack does not assume any liability arising out of the use of any part or documentation.

# PE51OM1043 CAD Drawing

10 dBi Omni Antenna 1,710-2,700 MHz N Type Female Connector

| REVISIONS |                 |            |          |
|-----------|-----------------|------------|----------|
| REV.      | DESCRIPTION     | DATE       | APPROVED |
| A         | INITIAL RELEASE | 05/17/2021 | KHIETPAS |



UNLESS OTHERWISE SPECIFIED LEADING DIMENSIONS ARE INCHES DIMENSIONS IN [ ] ARE MILLIMETERS

TOLERANCES:  
 .X = ±.2 [5.08]    FRACTIONS ± 1/32  
 .XX = ±.02 [ .51]    ANGLES ± 1°  
 .XXX = ±.005 [ .13]

CABLE LENGTH (L) TOLERANCES:  
 L ≤ 12 [305] = +1 [25] / -0  
 12 [305] < L ≤ 60 [1524] = +2 [51] / -0  
 60 [1524] < L ≤ 120 [3048] = +4 [102] / -0  
 120 [3048] < L ≤ 300 [7620] = +6 [152] / -0  
 300 [7620] < L = +5% / -0

ALL DIMENSIONS SHOWN ARE FOR REFERENCE ONLY.

THIRD-ANGLE PROJECTION

THE INFORMATION AND DESIGN IN THIS DOCUMENT IS THE PROPERTY OF PASTERNAK CORPORATION ALL RIGHTS RESERVED.

SHEET 1 OF 1

SCALE N/A

REV A

**PE PASTERNAK**  
an INFINITI® brand

Pasternack Enterprises, Inc.  
 P. O. Box 16759, Irvine, CA 92623.  
 Phone: 1.949.261.1920 | 1.866.727.8376  
 Fax: 1.949.261.7451  
 Website: www.pasternack.com  
 E-mail: sales@pasternack.com

SIZE A    CAGE CODE 53919    DRAWN BY BPUCHASKI    ITEM NO. PE51OM1043

- NOTES:
- LABEL PER ILS-100-03 (FOR INTERNAL REFERENCE ONLY)  
 LABEL LOCATION FOR REFERENCE ONLY

THESE COMMODITIES, TECHNOLOGY OR SOFTWARE WERE EXPORTED FROM THE UNITED STATES IN ACCORDANCE WITH THE EXPORT ADMINISTRATION REGULATIONS. DIVERSION CONTRARY TO U.S. LAW PROHIBITED.