



4950 MHz to 7125 MHz, 1-foot Parabolic Antenna, 2x2 MIMO, 25 dBi, RPSMA

Antennas Technical Data Sheet

PE51PD1007

Features

- 1-Foot standard parabolic antenna
- 4950 to 7125 MHz, 25 dBi
- VSWR < 2.5:1
- All aluminum dish
- Dual slant (V/H or $\pm 45^\circ$)
- 50 W max input power per port
- 2 x RPSMA female connectors
- DC ground

Applications

- Long distance backhaul
- Point to point data links (PtP)
- Point to multi-point data links (PtMP)
- Wi-Fi 5, Wi-Fi 6, Wi-Fi 6E and Wi-Fi 7
- Unlicensed 5GHz and 6GHz bands
- 5G bands - n46, n47, n96, n102, n104
- 2x2 MIMO capability
- High speed internet access

Description

MIMO vertical/horizontal polarized parabolic antenna PE51PD1007 from Pasternack is part of our extensive in-stock antennas that ship the same day from our ISO 9001:2015 certified facility. The MIMO antenna with a 4950 to 7125 MHz frequency range has a maximum input VSWR of 2.5:1. This antenna has 2-port SMA connector.

This antenna has a white radome made of aluminum, an overall length of 15.7 in, width of 15.7 in, and weighs 5.5 lbs. Pasternack's PE51PD1007 is a single band parabolic antenna operating from 4950 to 7125 MHz with 25 dBi gain.

Pasternack's experts are on hand to assist you with any inquiries. Order this PE51PD1007 MIMO parabolic antenna 7 days a week, 24 hours a day using our on-line ordering system with no MOQs (minimum order quantity) and same-day shipping.

Configuration

Design	Parabolic
Application Band	MIMO
Band Type	Single
Polarization	H/V or 45 Deg. Slant
Connector Type	SMA Reverse Polarity
Interface 2	SMA Reverse Polarity
Number of Ports	2
Lightning Protection	DC Grounded

Electrical Specifications

Description	Minimum	Typical	Maximum	Units
Frequency Range	4,950		7,125	MHz
Impedance		50		Ohms
Isolation		30		dB
Front to Back Ratio		30		dB
Horizontal (Azimuth) Beam Width		9		Degrees
Vertical (Elevation) Beam Width		9		Degrees
Input Power			50	Watts

Click the following link (or enter part number in "SEARCH" on website) to obtain additional part information including price, inventory and certifications: [4950 MHz to 7125 MHz, 1-foot Parabolic Antenna, 2x2 MIMO, 25 dBi, RPSMA PE51PD1007](#)



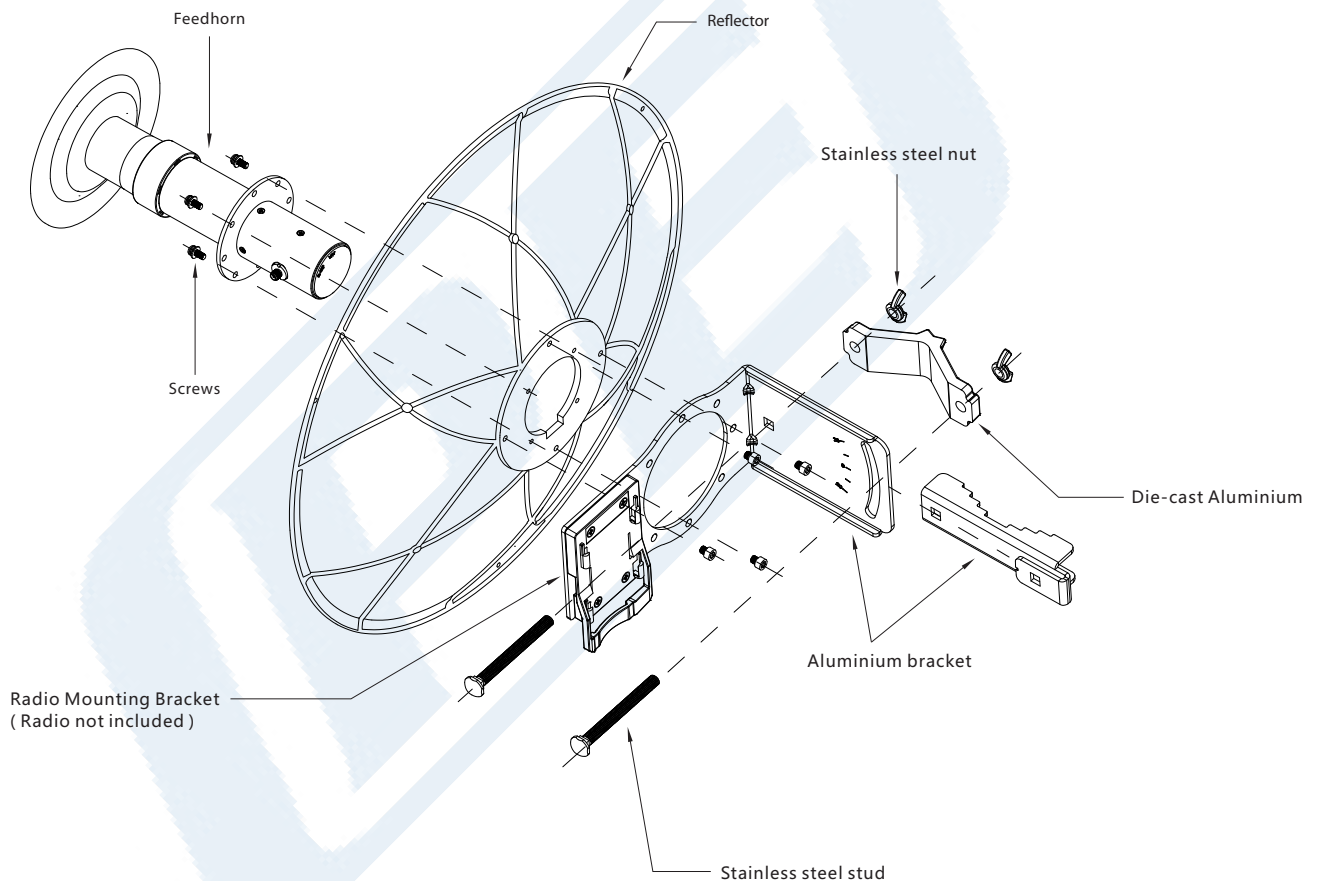
4950 MHz to 7125 MHz, 1-foot Parabolic Antenna, 2x2 MIMO, 25 dBi, RPSMA

Antennas Technical Data Sheet

PE51PD1007

Specifications by Band

Description	Band 1	Band 2	Band 3	Band 4	Band 5	Units
Range	4.95 to 5.1	5.1 to 5.9	5.9 to 7.125			GHz
Gain	24	24.5	25			dBi
VSWR Max	2.5:1	2:1	2:1			



Click the following link (or enter part number in "SEARCH" on website) to obtain additional part information including price, inventory and certifications: [4950 MHz to 7125 MHz, 1-foot Parabolic Antenna, 2x2 MIMO, 25 dBi, RPSMA PE51PD1007](#)



4950 MHz to 7125 MHz, 1-foot Parabolic
Antenna, 2x2 MIMO, 25 dBi, RPSMA

Antennas Technical Data Sheet

PE51PD1007

Mechanical Specifications

Radome Material	Aluminum
Size	
Overall Length	18 in [457.2 mm]
Width	18 in [457.2 mm]
Height	11 in [279.4 mm]
Mounting Mast Diameter	1.1811 to 1.9685 in [30.00 to 50.00 mm]
Weight	5.5 lbs [2.49 kg]

Environmental Specifications

Temperature	
Operating Range	-40 to +70 deg C

Compliance Certifications (see [product page](#) for current document)

Plotted and Other Data

Notes:

4950 MHz to 7125 MHz, 1-foot Parabolic Antenna, 2x2 MIMO, 25 dBi, RPSMA from Pasternack Enterprises has same day shipment for domestic and International orders. Our RF, microwave and millimeter wave products maintain a 99.4% availability and are part of the broadest selection in the industry.

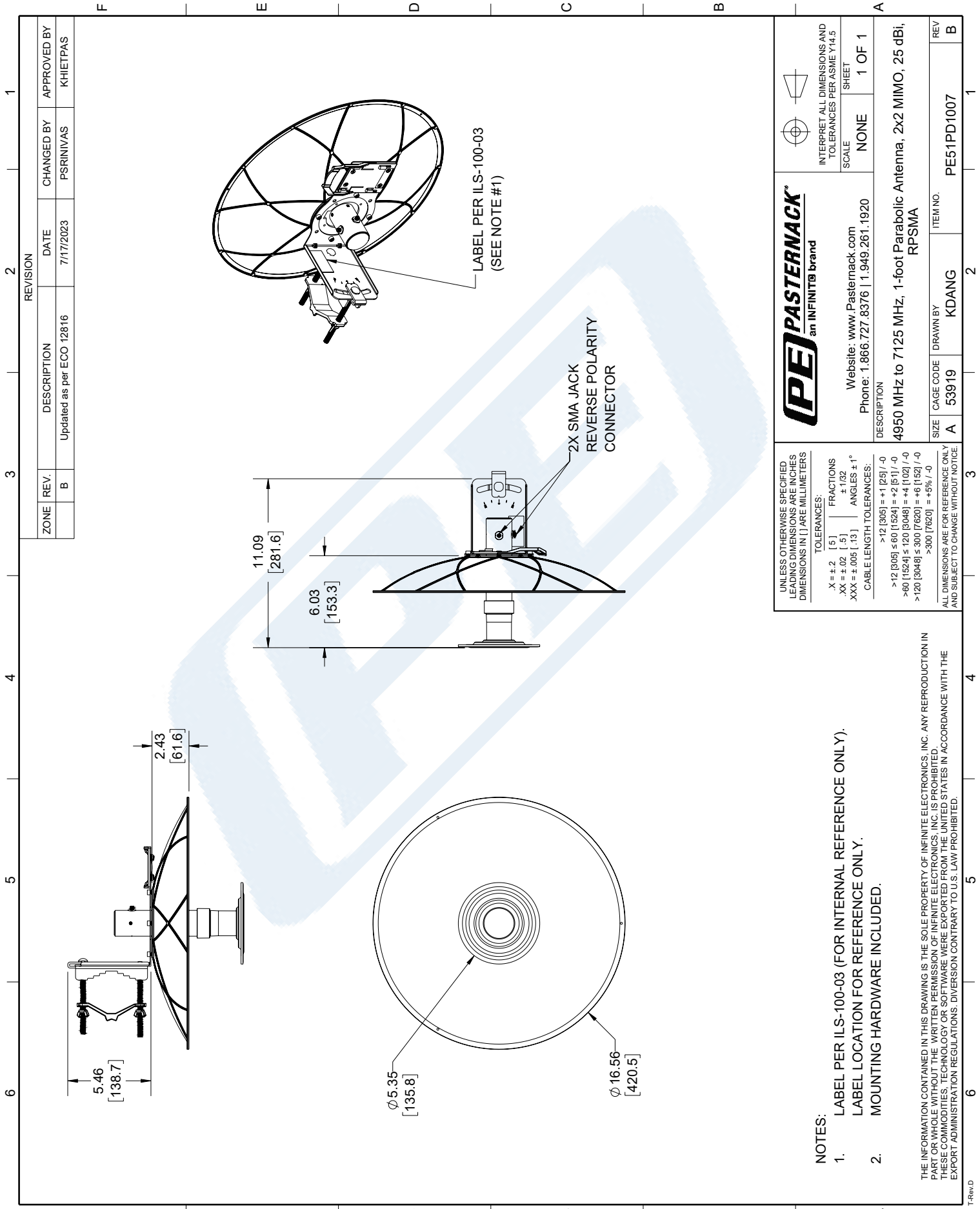
Click the following link (or enter part number in "SEARCH" on website) to obtain additional part information including price, inventory and certifications: [4950 MHz to 7125 MHz, 1-foot Parabolic Antenna, 2x2 MIMO, 25 dBi, RPSMA PE51PD1007](#)

URL: <https://www.pasternack.com/parabolic-antenna-4950-7125-mhz-reverse-polarity-sma-connector-pe51pd1007-p.aspx>

The information contained in this document is accurate to the best of our knowledge and representative of the part described herein. It may be necessary to make modifications to the part and/or the documentation of the part, in order to implement improvements. Pasternack reserves the right to make such changes as required. Unless otherwise stated, all specifications are nominal. Pasternack does not make any representation or warranty regarding the suitability of the part described herein for any particular purpose, and Pasternack does not assume any liability arising out of the use of any part or documentation.

PE51PD1007 CAD Drawing

4950 MHz to 7125 MHz, 1-foot Parabolic Antenna, 2x2 MIMO, 25 dBi, RPSMA



ZONE	REV.	DESCRIPTION	DATE	CHANGED BY	APPROVED BY
	B	Updated as per ECO 12816	7/17/2023	PSRINIVAS	KHIETPAS

INTERPRET ALL DIMENSIONS AND TOLERANCES PER ASME Y14.5	SHEET 1 OF 1
SCALE NONE	

Website: www.Pasternack.com Phone: 1.866.727.8376 1.949.261.1920	
DESCRIPTION 4950 MHz to 7125 MHz, 1-foot Parabolic Antenna, 2x2 MIMO, 25 dBi, RPSMA	
SIZE	ITEM NO.
A 53919	KDANG
DRAWN BY	
PE51PD1007	
REV	B

UNLESS OTHERWISE SPECIFIED LEADING DIMENSIONS ARE IN INCHES DIMENSIONS IN [] ARE MILLIMETERS

TOLERANCES:

X = ±.2 [5] FRACTIONS
 .XX = ±.02 [.5] ±.1/32
 .XXX = ±.005 [.13] ANGLES ± 1°

CABLE LENGTH TOLERANCES:

>12 [305] = ±1 [25] / 0
 >60 [1524] = ±2 [51] / -0
 >120 [3048] = ±4 [102] / -0
 >300 [7620] = ±8 [203] / -0

ALL DIMENSIONS ARE FOR REFERENCE ONLY AND SUBJECT TO CHANGE WITHOUT NOTICE

- NOTES:
- LABEL PER ILS-100-03 (FOR INTERNAL REFERENCE ONLY). LABEL LOCATION FOR REFERENCE ONLY.
 - MOUNTING HARDWARE INCLUDED.

THE INFORMATION CONTAINED IN THIS DRAWING IS THE SOLE PROPERTY OF INFINITE ELECTRONICS, INC. ANY REPRODUCTION IN PART OR WHOLE WITHOUT THE WRITTEN PERMISSION OF INFINITE ELECTRONICS, INC. IS PROHIBITED. THESE COMMODITIES, TECHNOLOGY OR SOFTWARE WERE EXPORTED FROM THE UNITED STATES IN ACCORDANCE WITH THE EXPORT ADMINISTRATION REGULATIONS. DIVERSION CONTRARY TO U.S. LAW PROHIBITED.