



Type N Male Analyzer Calibration Kit, portable
3-in-1, Operating from DC to 4 GHz

Calibration Kits Portable Technical Data Sheet

PE5CK1027

Features

- Single Compact 3-in-1 Package
- Lightweight
- In Stock and Ready to Ship

Applications

- Vector Network Analyzer Calibration
- SOL or OSL Calibration
- Base Station Analyzers
- Site Maintenance
- Tower Measurements
- N Open Short Load Calibration

Description

Pasternack's PE5CK1027 N male short open load (SOL) analyzer calibration kit is part of our full line of RF components available for same-day shipping. This SOL, portable 3-in-1 cal kit is integrated into a single compact package, making it ideal for portable SOL (OSL) calibrations on base station analyzers, VNAs and spectrum analyzers. This 3-in-1 short open load calibration kit is suitable for use on almost all network and site analyzers which support SOL calibration. The small compact unit can be easily stored in a tool kit, tote or even pocket.

Our N male SOL 3-in-1 calibration kit datasheet, specifications and drawing with dimensions are shown below in this PDF. Pasternack's broad catalog of RF, microwave and millimeter wave components allow designers to configure and customize their test solutions however they like. Whether the need is to provide open short load (OSL) calibrations or tower measurements, Pasternack can ship you the right components same day.

Configuration

Connector Calibration Kit Component N Male Short Open Load 3-in-1

Electrical Specifications

Frequency Range DC to 4 GHz

Open

Short

Load

Mechanical Specifications

Size

Length 2.56 in [65.02 mm]
Width 1 in [25.4 mm]
Height 2.28 in [57.91 mm]
Weight 0.3695 lbs [167.6 g]

Connector

Type N Male Short Open Load

Click the following link (or enter part number in "SEARCH" on website) to obtain additional part information including price, inventory and certifications: [Type N Male Analyzer Calibration Kit, portable 3-in-1, Operating from DC to 4 GHz PE5CK1027](#)



Type N Male Analyzer Calibration Kit, portable 3-in-1, Operating from DC to 4 GHz

Calibration Kits Portable Technical Data Sheet

PE5CK1027

Compliance Certifications (see [product page](#) for current document)

Plotted and Other Data

Notes:

- Values at +25 °C, sea level

Type N Male Analyzer Calibration Kit, portable 3-in-1, Operating from DC to 4 GHz from Pasternack Enterprises has same day shipment for domestic and International orders. Our RF, microwave and millimeter wave products maintain a 99.4% availability and are part of the broadest selection in the industry.

Click the following link (or enter part number in "SEARCH" on website) to obtain additional part information including price, inventory and certifications: [Type N Male Analyzer Calibration Kit, portable 3-in-1, Operating from DC to 4 GHz PE5CK1027](#)

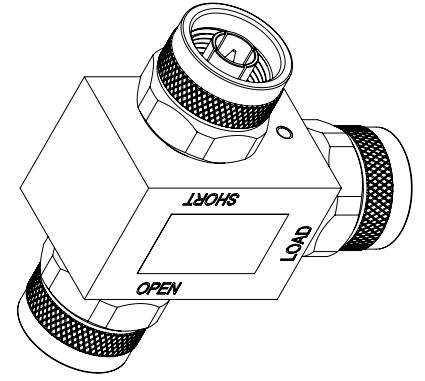
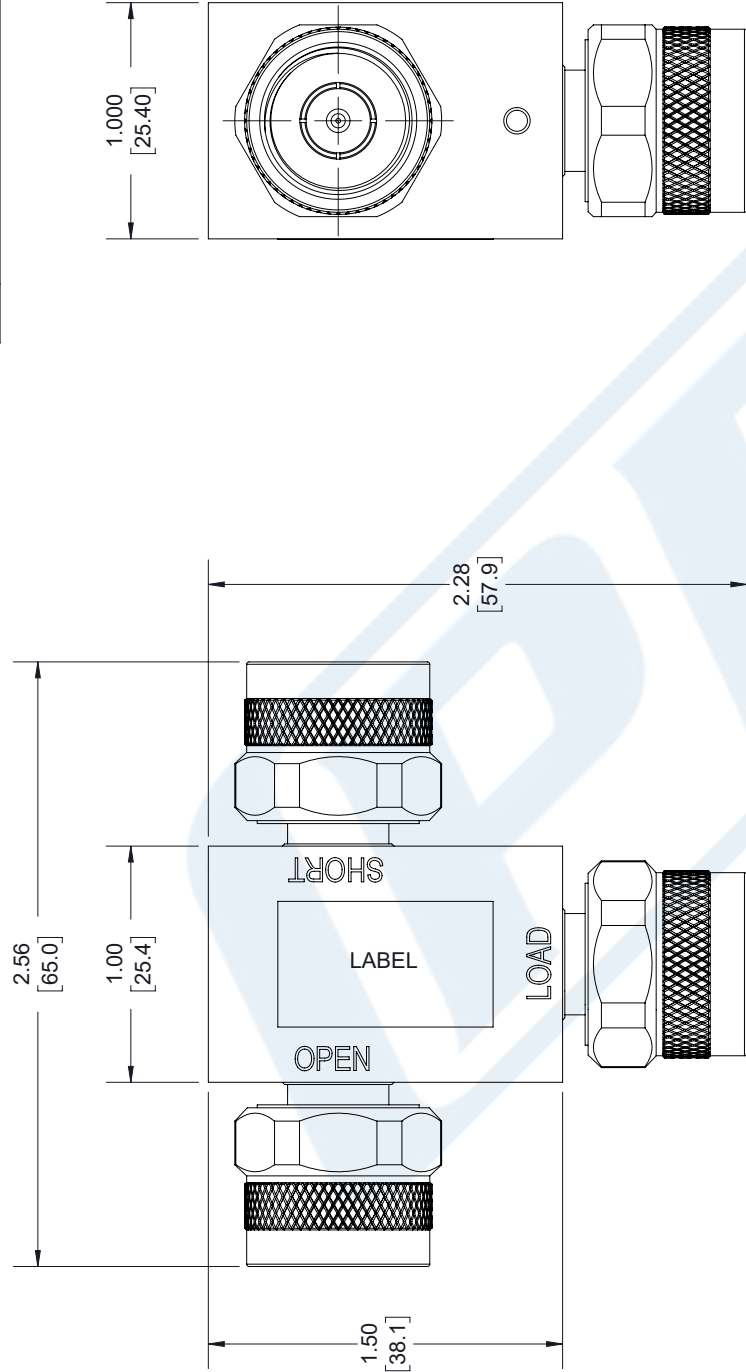
URL: <https://www.pasternack.com/50ohm-n-male-3-in-1-open-short-load-4-ghz-pe5ck1027-p.aspx>

The information contained in this document is accurate to the best of our knowledge and representative of the part described herein. It may be necessary to make modifications to the part and/or the documentation of the part, in order to implement improvements. Pasternack reserves the right to make such changes as required. Unless otherwise stated, all specifications are nominal. Pasternack does not make any representation or warranty regarding the suitability of the part described herein for any particular purpose, and Pasternack does not assume any liability arising out of the use of any part or documentation.

PE5CK1027 CAD Drawing

Type N Male Analyzer Calibration Kit, portable 3-in-1, Operating from DC to 4 GHz

REV.	DESCRIPTION	DATE	APPROVED
A	INITIAL RELEASE	01/10/19	J.GARCIA



UNLESS OTHERWISE SPECIFIED LEADING DIMENSIONS ARE INCHES DIMENSIONS IN [] ARE MILLIMETERS		THE INFORMATION AND DESIGN IN THIS DOCUMENT IS THE PROPERTY OF PASTERNAK CORPORATION. ALL RIGHTS RESERVED.	
TOLERANCES: X±.2 [5.08] .XX±.01 [.25] .XXX±.005 [.13]		SHEET 1 OF 1	
FRACTIONS ±1/32 ANGLES ± 1°		SCALE N/A	
ALL DIMENSIONS SHOWN ARE FOR REFERENCE ONLY.		www.pasternack.com e-mail: sales@pasternack.com	
THIRD-ANGLE PROJECTION		PART NUMBER PE5CK1027	
		REV A	

PE5CK1027
 F: DC - 4.0 GHz
 S/N: XXXXX

THESE COMMODITIES, TECHNOLOGY OR SOFTWARE WERE EXPORTED FROM THE UNITED STATES IN ACCORDANCE WITH THE EXPORT ADMINISTRATION REGULATIONS. DIVERSION CONTRARY TO U.S. LAW PROHIBITED.