



SMA Male Non-Shorting Dust Cap

Shorts and Caps Technical Data Sheet

PE6024

Features

- Protects against dust and contaminants
- Protects against physical damage
- Nickel Plated Body

Applications

- General Purpose Laboratory Use
- Test and Measurement

Description

Pasternack's PE6024 RF connector dust cap has an SMA interface and a male gender. Our SMA male dust cap is a non-shorting design with a nickel plated body to ensure durability. The Pasternack non-shorting SMA connector cap is part of over 40,000 RF, microwave and millimeter wave products that ship the same day.

RF connector dust caps are essential for precision connectors, protecting them from dust, corrosion and potential damage especially to test and measurement equipment. Specific RF connector cap models come with a chain to prevent loss or misplacement. Internal short connector cap versions are available to protect equipment from a spike in current caused by electrostatic discharge (ESD).

Mechanical Specifications

Configuration

Connector	SMA Male Non-Shorting
Hex Size	5/16 inch
Torque	5 in-lbs [0.57 Nm]

Description	Material	Plating
Body	Brass	Nickel 100µ" min.
Gasket	Silicone	

Size

Length	0.33 in [8.38 mm]
Width	0.315 in [8.00 mm]
Height	0.315 in [8 mm]
Weight	0.00849 lbs [3.85 g]

Environmental Specifications

Temperature

Operating Range	-65 to +165 deg C
-----------------	-------------------

Click the following link (or enter part number in "SEARCH" on website) to obtain additional part information including price, inventory and certifications: [SMA Male Non-Shorting Dust Cap PE6024](#)



SMA Male Non-Shorting Dust Cap

Shorts and Caps Technical Data Sheet

PE6024

Compliance Certifications (see [product page](#) for current document)

Plotted and Other Data

Notes:

SMA Male Non-Shorting Dust Cap from Pasternack Enterprises has same day shipment for domestic and International orders. Our RF, microwave and millimeter wave products maintain a 99.4% availability and are part of the broadest selection in the industry.

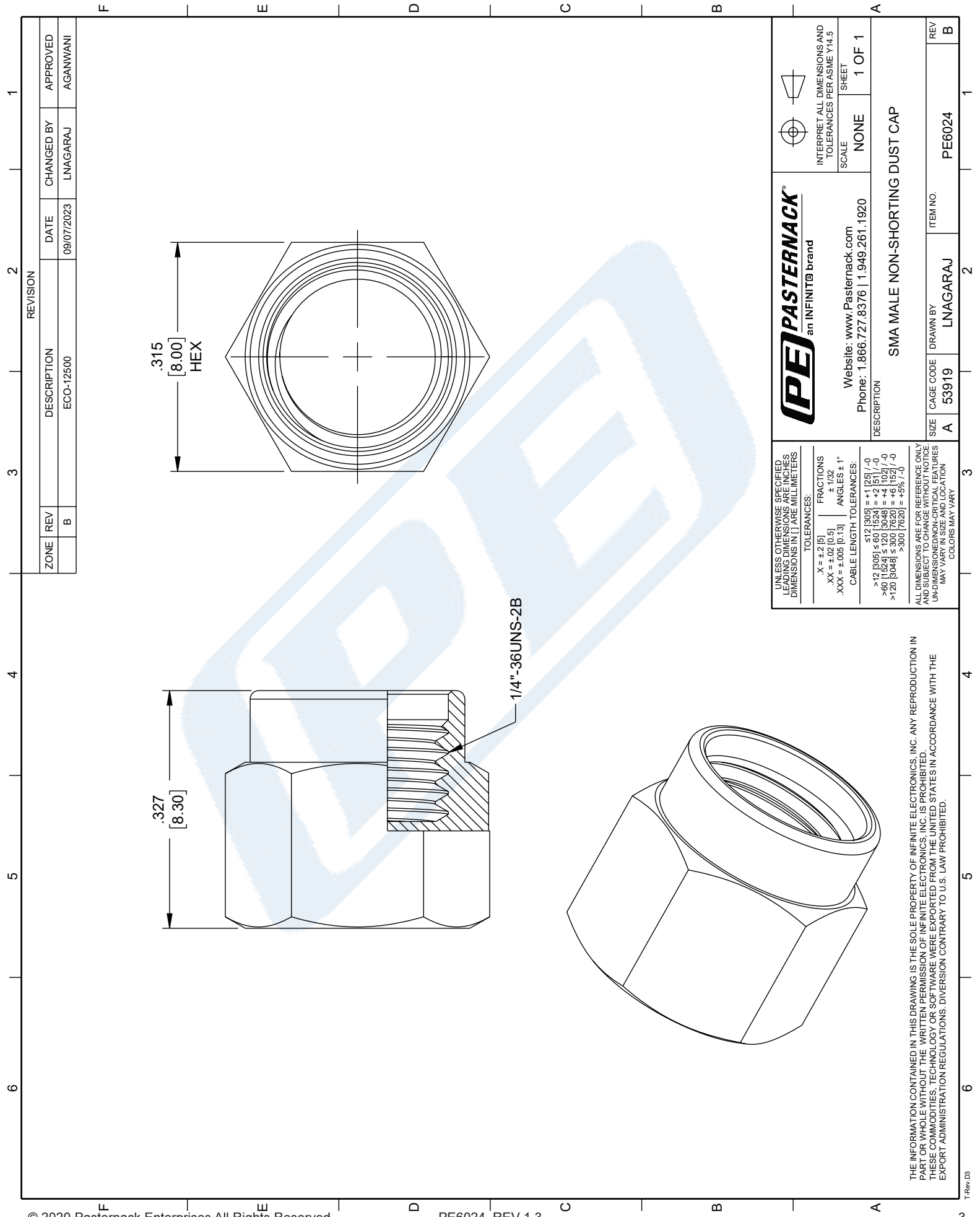
Click the following link (or enter part number in "SEARCH" on website) to obtain additional part information including price, inventory and certifications: [SMA Male Non-Shorting Dust Cap PE6024](#)

URL: <https://www.pasternack.com/sma-male-non-shorting-cap-pe6024-p.aspx>

The information contained in this document is accurate to the best of our knowledge and representative of the part described herein. It may be necessary to make modifications to the part and/or the documentation of the part, in order to implement improvements. Pasternack reserves the right to make such changes as required. Unless otherwise stated, all specifications are nominal. Pasternack does not make any representation or warranty regarding the suitability of the part described herein for any particular purpose, and Pasternack does not assume any liability arising out of the use of any part or documentation.

PE6024 CAD Drawing

SMA Male Non-Shorting Dust Cap



ZONE	REV	DESCRIPTION	DATE	CHANGED BY	APPROVED
	B	ECO-12500	09/07/2023	LNAGARAJ	AGANWANI

REVISION

		INTERPRET ALL DIMENSIONS AND TOLERANCES PER ASME Y14.5 SCALE: NONE SHEET: 1 OF 1
	Website: www.Pasternack.com Phone: 1.866.727.8376 1.949.261.1920	
DESCRIPTION: SMA MALE NON-SHORTING DUST CAP		
SIZE: A	CAGE CODE: 53919	DRAWN BY: LNAGARAJ
		ITEM NO.: PE6024
		REV: B

UNLESS OTHERWISE SPECIFIED, LEADING DIMENSIONS ARE IN INCHES, DIMENSIONS IN [] ARE IN MILLIMETERS.

TOLERANCES:

.X = ±.2 [5]	FRACTIONS ± .132
.XX = ±.02 [0.5]	ANGLES ± 1°
.XXX = ±.005 [0.13]	CABLE LENGTH TOLERANCES:

<12 [305]	±.1 [5] / -0
>12 [305] ≤ 60 [1524]	±.2 [5] / -0
>60 [1524] ≤ 120 [3048]	±.4 [10.2] / -0
>120 [3048] ≤ 300 [7620]	±.6 [15.2] / -0
>300 [7620]	±.8 [20.3] / -0

ALL DIMENSIONS ARE FOR REFERENCE ONLY. UNLESS OTHERWISE SPECIFIED, DIMENSIONS IN NON-CRITICAL FEATURES MAY VARY IN SIZE AND LOCATION. COLORS MAY VARY.

THE INFORMATION CONTAINED IN THIS DRAWING IS THE SOLE PROPERTY OF INFINITE ELECTRONICS, INC. ANY REPRODUCTION IN PART OR WHOLE WITHOUT THE WRITTEN PERMISSION OF INFINITE ELECTRONICS, INC. IS PROHIBITED. THESE COMMODITIES, TECHNOLOGY OR SOFTWARE WERE EXPORTED FROM THE UNITED STATES IN ACCORDANCE WITH THE EXPORT ADMINISTRATION REGULATIONS. DIVERSION CONTRARY TO U.S. LAW PROHIBITED.