



3-Slot TRB RFI Dust Cap With 6.0-Inch Brass Chain

Shorts and Caps Technical Data Sheet

PE610-06303

Features

- Protects against dust and contaminants
- Protects against physical damage
- Nickel Plated Body
- Chain Included

Applications

- General Purpose Laboratory Use
- Test and Measurement

Description

The Pasternack PE610-06303 is a TRB jack RFI cap with a 3-lug bayonet coupling design and a 6-inch stainless steel lanyard. The TRB jack RFI cap has a robust design and is easy to use.

The PE610-06303 RFI cap will keep your sensitive electronics protected from dust and other FOD. This TRB jack RFI cap is included .439-.443-inch d-ring to secure the cap in your assembly. The TRB jack RFI cap is suitable for applications such as aircraft avionics, test labs, the military/aero avionics market, and the avionics test market.

Pasternack has one of the largest in-stock selections of TRB jack RFI caps with same-day shipment. Make your online purchase right now to take advantage of our same-day shipping. For further information on similar products, our expert technical support and knowledgeable sales team can help you get the perfect TRB jack RFI cap for your requirements.

Mechanical Specifications

Configuration

Connector	
Chain Option	6 in Chain
Mating Cycles	500 Cycles

Description	Material	Plating
Body	Brass	Nickel
Coupling Nut	Brass	Nickel
Gasket	Silicone	
Chain	Stainless Steel	Nylon Jacket
Rivet	Brass	Nickel

Size

Length	0.811 in [20.6 mm]
Width	0.571 in [14.50 mm]
Height	0.571 in [14.5 mm]
Weight	0.11 lbs [49.9 g]

Click the following link (or enter part number in "SEARCH" on website) to obtain additional part information including price, inventory and certifications: [3-Slot TRB RFI Dust Cap With 6.0-Inch Brass Chain PE610-06303](#)



3-Slot TRB RFI Dust Cap With 6.0-Inch Brass Chain

Shorts and Caps Technical Data Sheet

PE610-06303

Environmental Specifications

Temperature

Operating Range

-65 to +165 deg C

Compliance Certifications (see [product page](#) for current document)

Plotted and Other Data

Notes:

3-Slot TRB RFI Dust Cap With 6.0-Inch Brass Chain from Pasternack Enterprises has same day shipment for domestic and International orders. Our RF, microwave and millimeter wave products maintain a 99.4% availability and are part of the broadest selection in the industry.

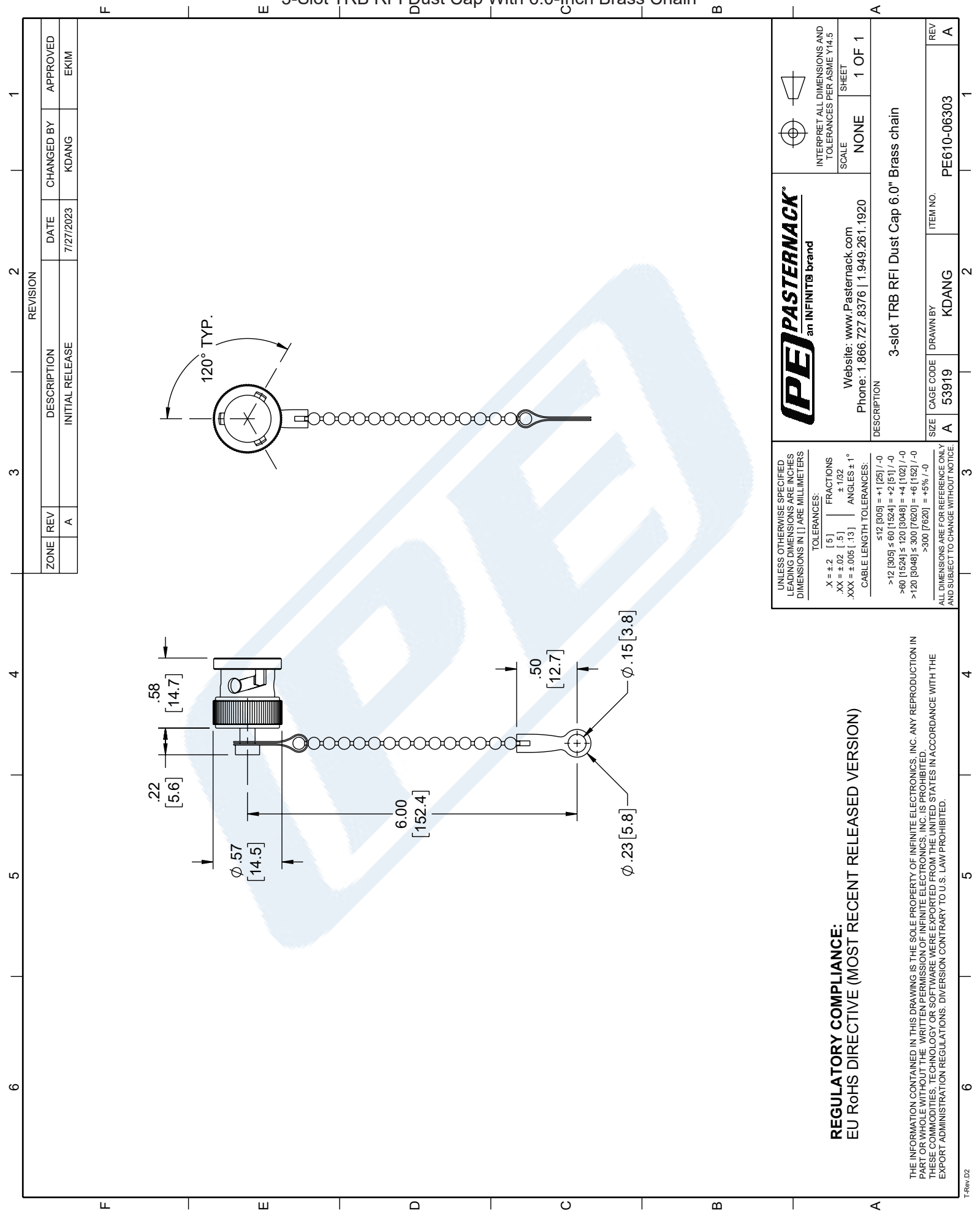
Click the following link (or enter part number in "SEARCH" on website) to obtain additional part information including price, inventory and certifications: [3-Slot TRB RFI Dust Cap With 6.0-Inch Brass Chain PE610-06303](#)

URL: <https://www.pasternack.com/with-6-inch-chain-dust-cap-pe610-06303-p.aspx>

The information contained in this document is accurate to the best of our knowledge and representative of the part described herein. It may be necessary to make modifications to the part and/or the documentation of the part, in order to implement improvements. Pasternack reserves the right to make such changes as required. Unless otherwise stated, all specifications are nominal. Pasternack does not make any representation or warranty regarding the suitability of the part described herein for any particular purpose, and Pasternack does not assume any liability arising out of the use of any part or documentation.

PE610-06303 CAD Drawing

3-Slot TRB RFI Dust Cap With 6.0-Inch Brass Chain



ZONE	REV	DESCRIPTION	DATE	CHANGED BY	APPROVED
	A	INITIAL RELEASE	7/27/2023	KDANG	EKIM

REVISION		1	2	3	4	5	6

UNLESS OTHERWISE SPECIFIED LEADING DIMENSIONS ARE INCHES DIMENSIONS IN [] ARE MILLIMETERS

TOLERANCES:

X = ±.2 [5] FRACTIONS
 .XX = ±.02 [.5] ±.1/32
 .XXX = ±.005 [.13] ANGLES ± 1°

CABLE LENGTH TOLERANCES:

≤12 [305] = +1 [25] / -0
 >12 [305] ≤ 60 [1524] = +2 [51] / -0
 >60 [1524] ≤ 120 [3048] = +4 [102] / -0
 >120 [3048] ≤ 300 [7620] = +6 [152] / -0
 >300 [7620] = +5% / -0

ALL DIMENSIONS ARE FOR REFERENCE ONLY AND SUBJECT TO CHANGE WITHOUT NOTICE

PE PASTERNAK
 an INFINITIB brand

Website: www.Pasternack.com
 Phone: 1.866.727.8376 | 1.949.261.1920

SCALE: NONE SHEET: 1 OF 1

INTERPRET ALL DIMENSIONS AND TOLERANCES PER ASME Y14.5

DESCRIPTION: 3-slot TRB RFI Dust Cap 6.0" Brass chain

SIZE	CAGE CODE	DRAWN BY	ITEM NO.	REV
A	53919	KDANG	PE610-06303	A

REGULATORY COMPLIANCE:
 EU RoHS DIRECTIVE (MOST RECENT RELEASED VERSION)

THE INFORMATION CONTAINED IN THIS DRAWING IS THE SOLE PROPERTY OF INFINITE ELECTRONICS, INC. ANY REPRODUCTION IN PART OR WHOLE WITHOUT THE WRITTEN PERMISSION OF INFINITE ELECTRONICS, INC. IS PROHIBITED. THESE COMMODITIES, TECHNOLOGY OR SOFTWARE WERE EXPORTED FROM THE UNITED STATES IN ACCORDANCE WITH THE EXPORT ADMINISTRATION REGULATIONS. DIVERSION CONTRARY TO U.S. LAW PROHIBITED.