



TRS Jack RFI Cap with 3" Stainless Steel Lanyard and .439-.443" D-Ring

Shorts and Caps Technical Data Sheet

PE610-06305

Mechanical Specifications

Configuration

Connector	TRS
Chain Option	3 in Chain
Mating Cycles	500 Cycles

Description	Material	Plating
Body	Brass	Nickel
Coupling Nut	Brass	Nickel
Gasket	Silicone	
Chain	Stainless Steel	Nylon Jacket
Rivet	Brass	Nickel

Size

Length	4.4 in [111.76 mm]
Width	0.46 in [11.68 mm]
Height	0.46 in [11.68 mm]
Weight	0.01 lbs [4.54 g]

Environmental Specifications

Temperature

Operating Range	-65 to +165 deg C
-----------------	-------------------

Click the following link (or enter part number in "SEARCH" on website) to obtain additional part information including price, inventory and certifications: [TRS Jack RFI Cap with 3" Stainless Steel Lanyard and .439-.443" D-Ring PE610-06305](#)



TRR Jack RFI Cap with 3" Stainless Steel
Lanyard and .439-.443" D-Ring

Shorts and Caps Technical Data Sheet

PE610-06305

Compliance Certifications (see [product page](#) for current document)

Plotted and Other Data

Notes:

TRR Jack RFI Cap with 3" Stainless Steel Lanyard and .439-.443" D-Ring from Pasternack Enterprises has same day shipment for domestic and International orders. Our RF, microwave and millimeter wave products maintain a 99.4% availability and are part of the broadest selection in the industry.

Click the following link (or enter part number in "SEARCH" on website) to obtain additional part information including price, inventory and certifications: [TRR Jack RFI Cap with 3" Stainless Steel Lanyard and .439-.443" D-Ring PE610-06305](#)

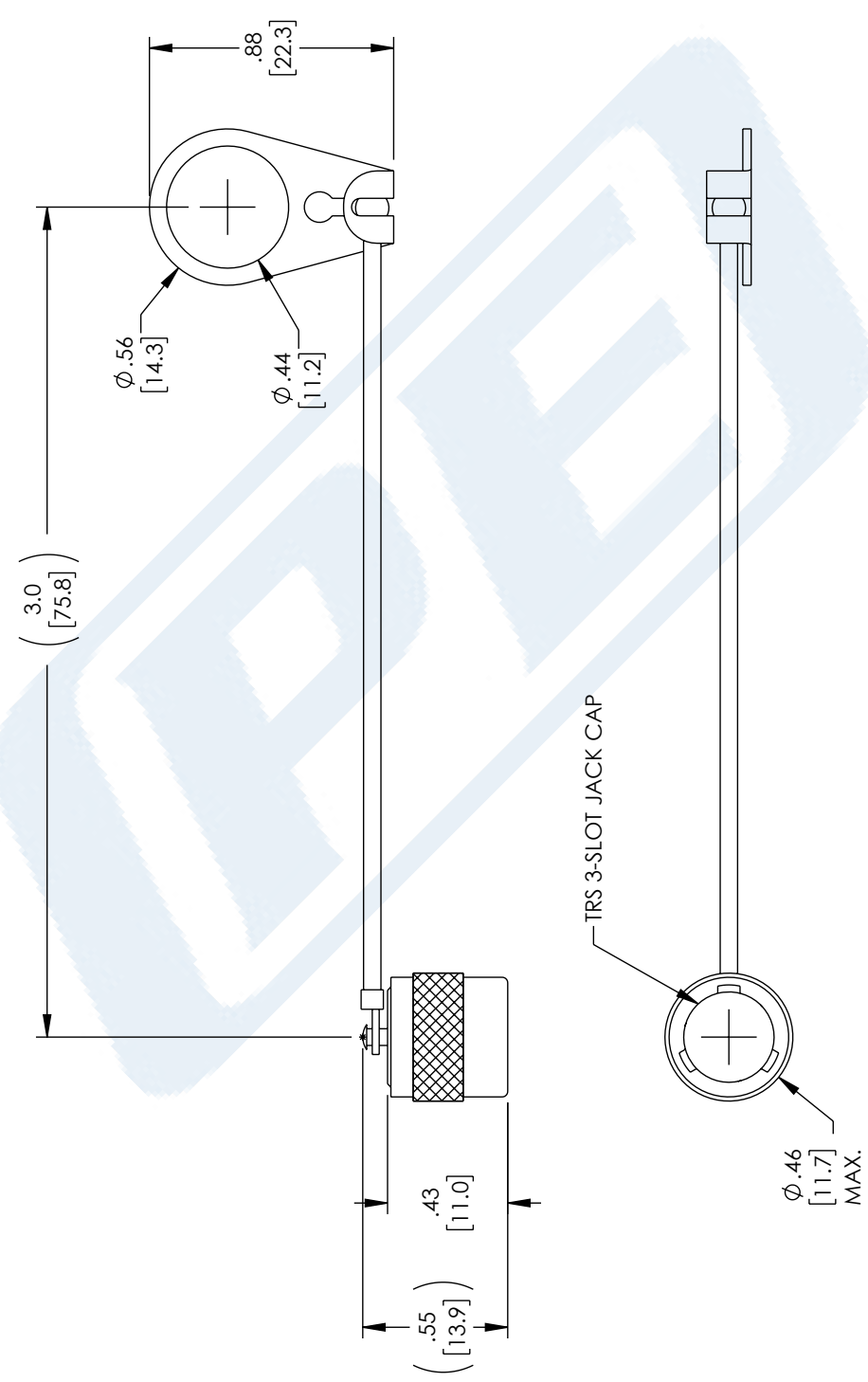
URL: <https://www.pasternack.com/trs-with-3-inch-chain-dust-cap-pe610-06305-p.aspx>

The information contained in this document is accurate to the best of our knowledge and representative of the part described herein. It may be necessary to make modifications to the part and/or the documentation of the part, in order to implement improvements. Pasternack reserves the right to make such changes as required. Unless otherwise stated, all specifications are nominal. Pasternack does not make any representation or warranty regarding the suitability of the part described herein for any particular purpose, and Pasternack does not assume any liability arising out of the use of any part or documentation.

PE610-06305 CAD Drawing

TRS Jack RFI Cap with 3" Stainless Steel Lanyard and .439-.443" D-Ring

REVISIONS				
ZONE	REV.	DESCRIPTION	DATE	APPROVED
	-	INITIAL RELEASE	03/09/23	



UNLESS OTHERWISE SPECIFIED
LEADING DIMENSIONS ARE INCHES
DIMENSIONS IN [] ARE MILLIMETERS

TOLERANCES:
X = ±.2 [5] | FRACTIONS ± 1/32
XX = ±.02 [.5] | ANGLES ± 1°
XXX = ±.005 [.13]

CABLE LENGTH TOLERANCES:
≤ 12 [305] = +1 [25] / -0
> 12 [305] ≤ 60 [1524] = +2 [51] / -0
> 60 [1524] ≤ 120 [3048] = +4 [102] / -0
> 120 [3048] ≤ 300 [7620] = +6 [152] / -0
> 300 [7620] = +5% / -0

ALL DIMENSIONS ARE FOR REFERENCE ONLY
AND SUBJECT TO CHANGE WITHOUT NOTICE

PE PASTERNAK
an INFINITO brand

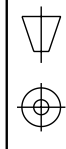
Website: www.Pasternack.com
Phone: 1.866.727.8376 | 1.949.261.1920

DESCRIPTION
TRS JACK RFI CAP W/3 INCH SST LANYARD AND .439 D-RING

SIZE A CAGE CODE A 53919 DRAWN BY DFRISIELLO ITEM NO. PE610-06305 REV A

INTERPRET ALL DIMENSIONS AND TOLERANCES PER ASME Y14.5

SCALE NONE SHEET 1 OF 1



THE INFORMATION CONTAINED IN THIS DRAWING IS THE SOLE PROPERTY OF INFINITE ELECTRONICS, INC. ANY REPRODUCTION IN PART OR WHOLE WITHOUT THE WRITTEN PERMISSION OF INFINITE ELECTRONICS, INC. IS PROHIBITED. THESE COMMODITIES, TECHNOLOGY OR SOFTWARE WERE EXPORTED FROM THE UNITED STATES IN ACCORDANCE WITH THE EXPORT ADMINISTRATION REGULATIONS. DIVERSION CONTRARY TO U.S. LAW PROHIBITED.