



BNC Female Non-Shorting Dust Cap

Shorts and Caps Technical Data Sheet

PE6108

Features

- Protects against dust and contaminants
- Protects against physical damage
- Nickel Plated Body

Applications

- General Purpose Laboratory Use
- Test and Measurement

Description

Pasternack's PE6108 connector dust cap has a BNC interface and a female gender. Our BNC female dust cap is a non-shorting design with a nickel plated body to ensure durability. The Pasternack non-shorting BNC connector cap is part of over 40,000 RF, microwave and millimeter wave products that ship the same day.

RF connector dust caps are essential for precision connectors, protecting them from dust, corrosion and potential damage especially to test and measurement equipment. Specific RF connector cap models come with a chain to prevent loss or misplacement. Internal short connector cap versions are available to protect equipment from a spike in current caused by electrostatic discharge (ESD).

Mechanical Specifications

Configuration

Connector

BNC Female Non-Shorting

Description	Material	Plating
Body	Brass	Nickel

Size

Length	0.58 in [14.73 mm]
Width	0.5 in [12.70 mm]
Weight	0.013 lbs [5.9 g]

Compliance Certifications (visit www.Pasternack.com for current document)

RoHS Compliant	
REACH Compliant	12/17/2015

Click the following link (or enter part number in "SEARCH" on website) to obtain additional part information including price, inventory and certifications: [BNC Female Non-Shorting Dust Cap PE6108](#)



BNC Female Non-Shorting Dust Cap

Shorts and Caps Technical Data Sheet

PE6108

Plotted and Other Data

Notes:

BNC Female Non-Shorting Dust Cap from Pasternack Enterprises has same day shipment for domestic and International orders. Our RF, microwave and millimeter wave products maintain a 99% availability and are part of the broadest selection in the industry.

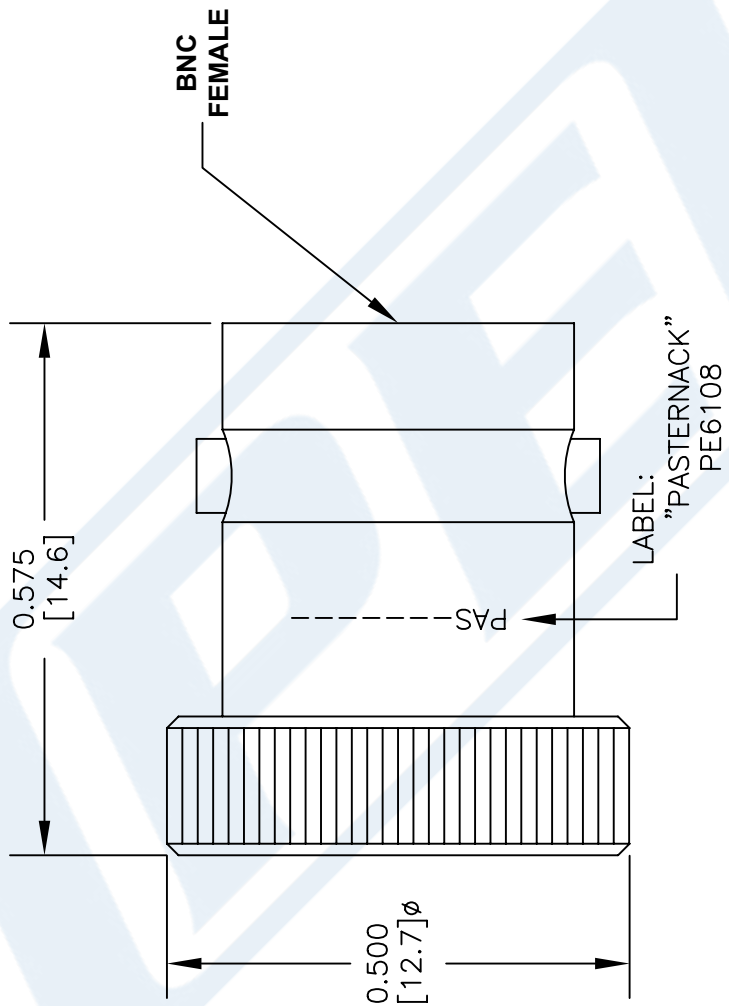
Click the following link (or enter part number in "SEARCH" on website) to obtain additional part information including price, inventory and certifications: [BNC Female Non-Shorting Dust Cap PE6108](#)

URL: <https://www.pasternack.com/50-ohm-bnc-female-non-shorting-cap-pe6108-p.aspx>

The information contained in this document is accurate to the best of our knowledge and representative of the part described herein. It may be necessary to make modifications to the part and/or the documentation of the part, in order to implement improvements. Pasternack reserves the right to make such changes as required. Unless otherwise stated, all specifications are nominal. Pasternack does not make any representation or warranty regarding the suitability of the part described herein for any particular purpose, and Pasternack does not assume any liability arising out of the use of any part or documentation.

PE6108 CAD Drawing

BNC Female Non-Shorting Dust Cap



STANDARD TOLERANCES

DECIMAL	±0.02
.XX	±0.005
.XXX	±0.005

*STANDARD TOLERANCES APPLY ONLY TO DIMENSIONS IN INCHES



Pasternack Enterprises, Inc.
 P.O. Box 16759 | Irvine | CA | 92623
Phone: (949) 261-1920 | **Fax:** (949) 261-7451
Website: www.pasternack.com | **E-Mail:** sales@pasternack.com

DWG TITLE

PE6108

FSCM NO. 53919

NOTES:
 1. UNLESS OTHERWISE SPECIFIED ALL DIMENSIONS ARE NOMINAL.
 2. ALL SPECIFICATIONS ARE SUBJECT TO CHANGE WITHOUT NOTICE AT ANY TIME.
 3. DIMENSIONS ARE IN INCHES [mm].

CAD FILE 040116

SCALE N/A

SIZE A

3045