



Medium Power 50 Watts RF Load Up To 4 GHz With SMA Male Input Square Body Black Anodized Aluminum Heatsink

TECHNICAL DATA SHEET

PE6166

**Configuration**

Connector	SMA Male
Heat Sink	Black Anodized Aluminum Heatsink
Body Style	Straight

**Electrical Specifications**

Frequency Range, GHz	DC to 4
Impedance, Ohms	50
Maximum VSWR	1.25:1
Maximum Input Power, Watts	50
Peak Power, KWatts	5

**Frequency 1**

Frequency, GHz	DC to 2
VSWR	1.15:1

**Frequency 2**

Frequency, GHz	2 to 4
VSWR	1.25:1

**Mechanical Specifications**

**Size**

Length, in [mm]	5.195 [131.95]
Width/Dia., in [mm]	2.765 [70.23]
Height, in [mm]	3.5 [88.9]

**Connector**

Type	SMA Male
Inner Conductor Material and Plating	Gold
Coupling Nut Material and Plating	Passivated Stainless Steel
Body Material and Plating	Passivated Stainless Steel
Dielectric Type	PTFE

**Compliance Certifications** (visit [www.Pasternack.com](http://www.Pasternack.com) for current document)

RoHS Compliant	Yes
----------------	-----

Click the following link (or enter part number in "SEARCH" on website) to obtain additional part information including price, inventory and certifications: [Medium Power 50 Watts RF Load Up To 4 GHz With SMA Male Input Square Body Black Anodized Aluminum Heatsink PE6166](#)

The information contained in this document is accurate to the best of our knowledge and representative of the part described herein. It may be necessary to make modifications to the part and/or the documentation of the part, in order to implement improvements. Pasternack reserves the right to make such changes as required. Unless otherwise stated, all specifications are nominal.



Medium Power 50 Watts RF Load Up To 4 GHz With SMA  
Male Input Square Body Black Anodized Aluminum Heatsink

TECHNICAL DATA SHEET

PE6166

**Plotted and Other Data**

Notes:

Values at 25 °C, sea level

Medium Power 50 Watts RF Load Up To 4 GHz With SMA Male Input Square Body Black Anodized Aluminum Heatsink from Pasternack Enterprises has same day shipment for domestic and International orders. Our RF, microwave and fiber optic products maintain a 99% availability and are part of the broadest selection in the industry.

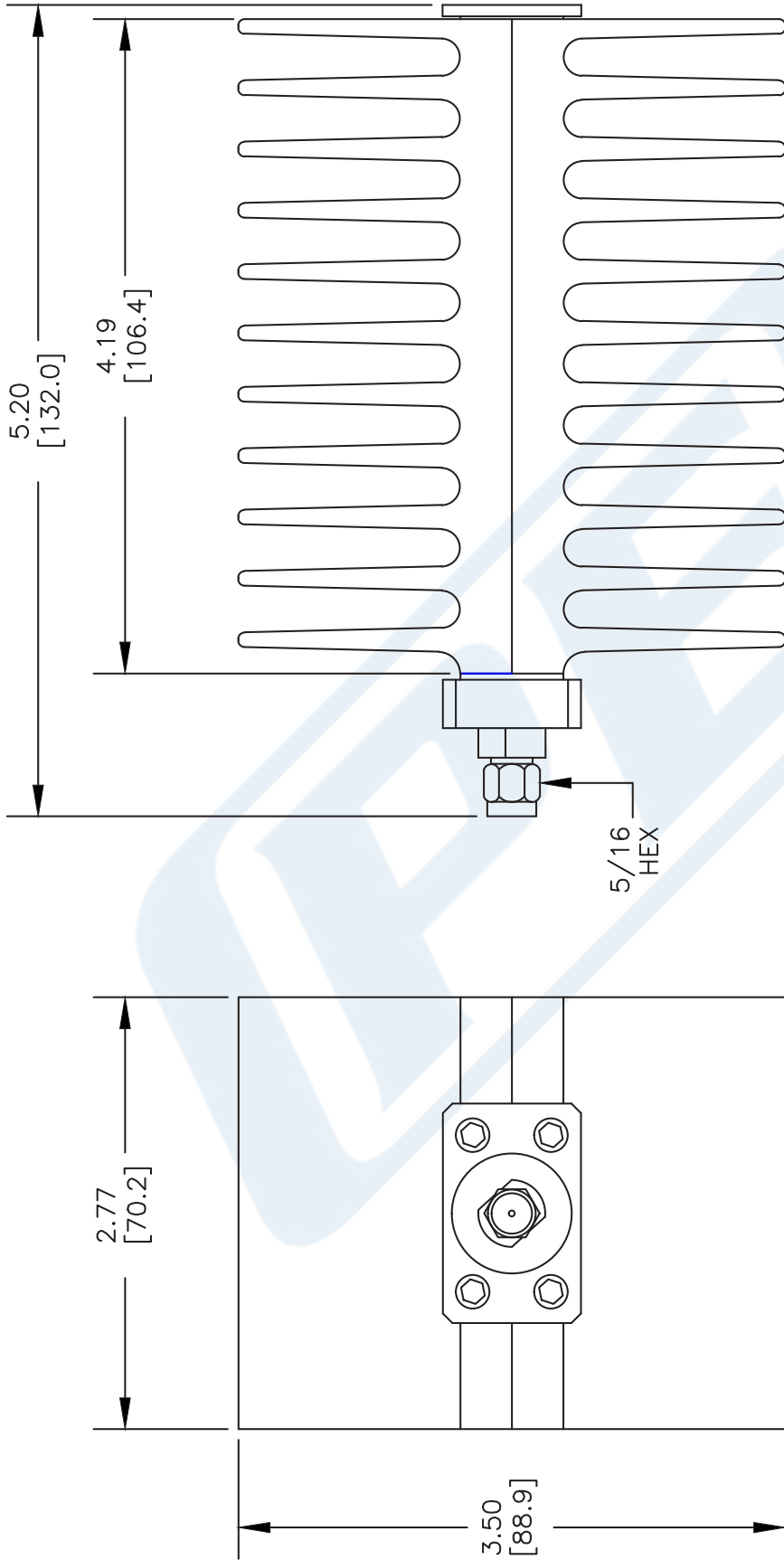
Click the following link (or enter part number in "SEARCH" on website) to obtain additional part information including price, inventory and certifications: [Medium Power 50 Watts RF Load Up To 4 GHz With SMA Male Input Square Body Black Anodized Aluminum Heatsink PE6166](http://www.pasternack.com/50-watts-sma-male-rf-load-up-to-4-ghz-pe6166-p.aspx)

URL: <http://www.pasternack.com/50-watts-sma-male-rf-load-up-to-4-ghz-pe6166-p.aspx>

The information contained in this document is accurate to the best of our knowledge and representative of the part described herein. It may be necessary to make modifications to the part and/or the documentation of the part, in order to implement improvements. Pasternack reserves the right to make such changes as required. Unless otherwise stated, all specifications are nominal.

# PE6166 CAD Drawing

Medium Power 50 Watts RF Load Up To 4 GHz With SMA Male Input  
Square Body Black Anodized Aluminum Heatsink



DWG TITLE

**PE6166**

NOTES:  
1. UNLESS OTHERWISE SPECIFIED ALL DIMENSIONS ARE NOMINAL.  
2. ALL SPECIFICATIONS ARE SUBJECT TO CHANGE WITHOUT NOTICE AT ANY TIME.  
3. DIMENSIONS ARE IN INCHES [mm].

FSCM NO. 53919

CAD FILE 021009

SCALE N/A

SIZE A

127



**PASTERNAK®**  
Pasternack Enterprises, Inc.  
P.O. Box 16759 | Irvine | CA | 92623  
Phone: (949) 261-1920 | Fax: (949) 261-7451  
Website: www.pasternack.com | E-Mail: sales@pasternack.com