



# 1 Watt RF Load Up to 2 GHz with 75 Ohm BNC Male Tri-Metal Plated Brass

## RF Terminations Technical Data Sheet

PE6TR004

### Features

- 75 Ohm RF Load
- DC to 2 GHz Frequency Range
- VSWR 1.35:1 Max
- Max Power 1 Watt (CW)
- BNC Male Coaxial Interface

### Applications

- Wireless
- Radar Systems
- Test and Measurement
- Commercial and Military Communication
- SatCom

### Description

RF termination (also called RF load or dummy load) PE6TR004 from Pasternack operates from DC to 2 GHz and handles up to 1 Watt (CW). This BNC termination (or load) is a 75 Ohm impedance and has a male gender. PE6TR004 75 Ohm BNC load termination offers 1.35:1 max VSWR.

RF terminations / loads are critical passive components in many RF, microwave and millimeter wave systems where signal reflection from unused ports can reduce the signal integrity can potentially damage the device. By terminating an unused port with a matched load (dummy load), the incident energy will be absorbed with minimal reflection. These radio frequency termination components are commonly used to terminate devices such as couplers, circulators, and switches. Loads / terminations are also widely used in measurement systems to ensure accurate results. Pasternack offers a large selection of in-stock RF, microwave and millimeter wave terminations up to 65 GHz with great performance over the entire operating range and with power handling capabilities up to 800 Watts (CW).

### Electrical Specifications

Description	Minimum	Typical	Maximum	Units
Frequency Range	DC		2	GHz
Impedance		75		Ohms
VSWR			1.35:1	
Input Power (CW)			1	Watts
Input Power (Peak)			1	KWatts

### Mechanical Specifications

#### Size

Length	1.26 in [32 mm]
Width	0.49 in [12.45 mm]
Weight	0.035 lbs [15.88 g]

#### Configuration

Connector	BNC Male
-----------	----------

Click the following link (or enter part number in "SEARCH" on website) to obtain additional part information including price, inventory and certifications: [1 Watt RF Load Up to 2 GHz with 75 Ohm BNC Male Tri-Metal Plated Brass PE6TR004](#)



1 Watt RF Load Up to 2 GHz with 75 Ohm  
 BNC Male Tri-Metal Plated Brass

RF Terminations Technical Data Sheet

PE6TR004

**Material Specifications**

Description	Material	Plating
Connector 1 Contact		Gold
Body	Brass	Tri-Metal
Housing	Brass	Tri-Metal

**Environmental Specifications**

**Temperature**

Operating Range -55 to +100 deg C

**Compliance Certifications** (see [product page](#) for current document)

**Plotted and Other Data**

Notes:

1 Watt RF Load Up to 2 GHz with 75 Ohm BNC Male Tri-Metal Plated Brass from Pasternack Enterprises has same day shipment for domestic and International orders. Our RF, microwave and millimeter wave products maintain a 99.4% availability and are part of the broadest selection in the industry.

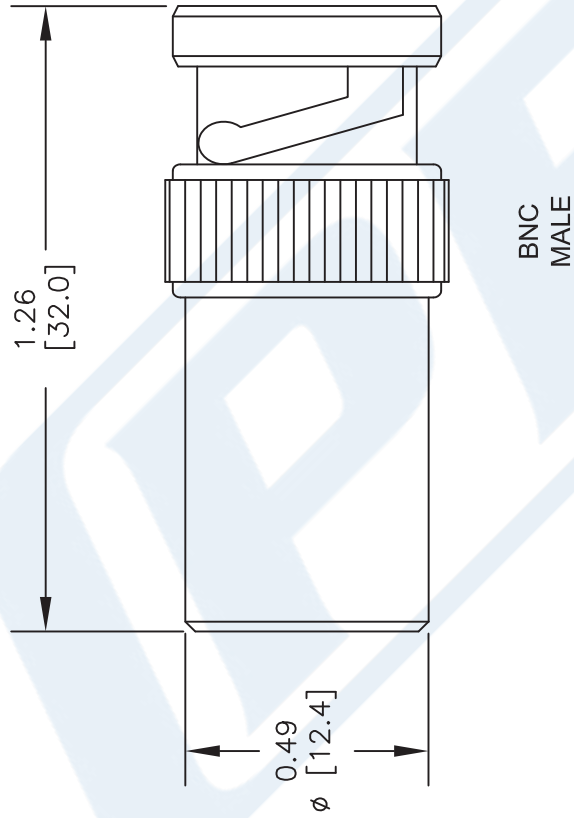
Click the following link (or enter part number in "SEARCH" on website) to obtain additional part information including price, inventory and certifications: [1 Watt RF Load Up to 2 GHz with 75 Ohm BNC Male Tri-Metal Plated Brass PE6TR004](#)

URL: <https://www.pasternack.com/1-watts-bnc-male-rf-load-2-ghz-pe6tr004-p.aspx>

The information contained in this document is accurate to the best of our knowledge and representative of the part described herein. It may be necessary to make modifications to the part and/or the documentation of the part, in order to implement improvements. Pasternack reserves the right to make such changes as required. Unless otherwise stated, all specifications are nominal. Pasternack does not make any representation or warranty regarding the suitability of the part described herein for any particular purpose, and Pasternack does not assume any liability arising out of the use of any part or documentation.

# PE6TR004 CAD Drawing

1 Watt RF Load Up to 2 GHz with 75 Ohm BNC Male Tri-Metal Plated Brass



**STANDARD TOLERANCES**

- .X ±0.2
- .XX ±0.1
- .XXX ±0.05

\*STANDARD TOLERANCES APPLY ONLY TO DIMENSIONS IN INCHES

**PE PASTERNAK®**  
 THE ENGINEER'S RF SOURCE  
 Pasternack Enterprises, Inc.  
 P.O. Box 16759 | Irvine | CA | 92623  
**Phone:** (949) 261-1920 | **Fax:** (949) 261-7451  
**Website:** www.pasternack.com | **E-Mail:** sales@pasternack.com

DWG TITLE

**PE6TR004**

CAGE CODE **53919**

NOTES:  
 1. UNLESS OTHERWISE SPECIFIED ALL DIMENSIONS ARE NOMINAL.  
 2. ALL SPECIFICATIONS ARE SUBJECT TO CHANGE WITHOUT NOTICE AT ANY TIME.  
 3. DIMENSIONS ARE IN INCHES [mm].

CAD FILE 103116

SCALE N/A

SIZE A

2233