



50 Ohm N Female to 75 Ohm F Female Matching Pad
Operating from DC to 3 GHz RoHS Compliant

Matching Pads Technical Data Sheet

PE7074

Features

- DC to 3 GHz Frequency Range
- Low VSWR < 1.25:1
- 2W Max CW Power

Applications

- CATV / Cable Networks
- Communication Systems
- Test and Measurement
- Wireless Systems

Description

Pasternack's PE7074 is a 50 ohm type N female to 75 ohm type F female matching pad that operates from DC to 3 GHz. This type N to type F impedance matching pad offers a low VSWR of 1.25:1 max and an attenuation accuracy of ±0.5 dB. PE7074 50 ohm to 75 ohm minimum loss pad has a maximum CW power rating of 2 Watts.

Matching pads are used to match the different impedance between two devices, maximizing power transfer between the two impedances. Pasternack's minimum loss impedance matching pads are available in various connector combinations to fit your needs, all of which ship the same day.

Configuration

- Connector 1 50 Ohms N Female
- Connector Specification 1 MIL-STD-348
- Connector 2 75 Ohms F Female

Electrical Specifications

Description	Minimum	Typical	Maximum	Units
Frequency Range	DC		3	GHz
VSWR			1.25:1	
Attenuation		5.7 ±0.5		dB
Input Power (CW) rated at +25°C, derated linearly to 0.5W at +125°C			2	Watts
Input Power (Peak) 5µs pulse, 0.05% duty cycle			250	Watts

Electrical Specification Notes:

Impedance Matching Pads are resistive devices and are not designed as DC Pass or DC Block circuits
Values at +25°C, sea level

Click the following link (or enter part number in "SEARCH" on website) to obtain additional part information including price, inventory and certifications: [50 Ohm N Female to 75 Ohm F Female Matching Pad Operating from DC to 3 GHz RoHS Compliant PE7074](#)



50 Ohm N Female to 75 Ohm F Female Matching Pad
Operating from DC to 3 GHz RoHS Compliant

Matching Pads Technical Data Sheet

PE7074

Mechanical Specifications

Size

Length	1.88 in [47.75 mm]
Width	0.63 in [16 mm]
Weight	0.0677 lbs [30.71 g]
Housing Material and Plating	Passivated Stainless Steel

Connectors

Description	Connector 1	Connector 2
Type	N Female	F Female
Impedance	50 Ohms	75 Ohms
Inner Conductor Material and Plating	Beryllium Copper, Gold	
Body Material and Plating	Passivated Stainless Steel	Brass, Nickel

Compliance Certifications (see [product page](#) for current document)

Plotted and Other Data

Notes:

50 Ohm N Female to 75 Ohm F Female Matching Pad Operating from DC to 3 GHz RoHS Compliant from Pasternack Enterprises has same day shipment for domestic and International orders. Our RF, microwave and millimeter wave products maintain a 99.4% availability and are part of the broadest selection in the industry.

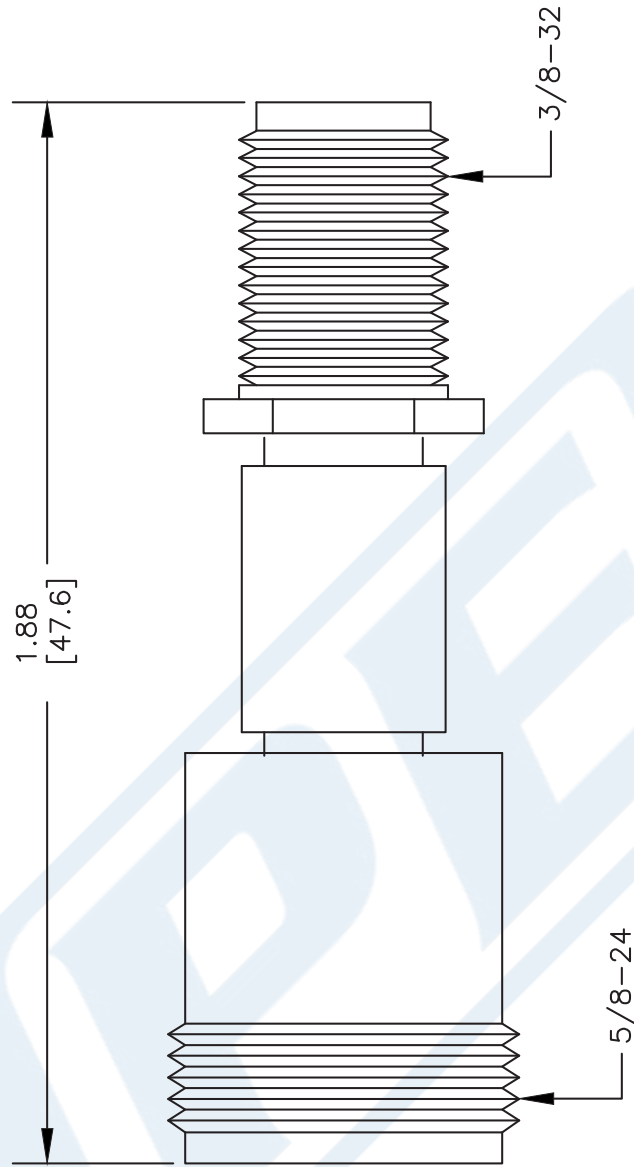
Click the following link (or enter part number in "SEARCH" on website) to obtain additional part information including price, inventory and certifications: [50 Ohm N Female to 75 Ohm F Female Matching Pad Operating from DC to 3 GHz RoHS Compliant PE7074](#)

URL: <https://www.pasternack.com/50-ohm-n-female-75-ohm-f-female-matching-pad-pe7074-p.aspx>

The information contained in this document is accurate to the best of our knowledge and representative of the part described herein. It may be necessary to make modifications to the part and/or the documentation of the part, in order to implement improvements. Pasternack reserves the right to make such changes as required. Unless otherwise stated, all specifications are nominal. Pasternack does not make any representation or warranty regarding the suitability of the part described herein for any particular purpose, and Pasternack does not assume any liability arising out of the use of any part or documentation.

PE7074 CAD Drawing

50 Ohm N Female to 75 Ohm F Female Matching Pad
Operating from DC to 3 GHz RoHS Compliant



DWG TITLE

PE7074

NOTES:

1. UNLESS OTHERWISE SPECIFIED ALL DIMENSIONS ARE NOMINAL.
2. ALL SPECIFICATIONS ARE SUBJECT TO CHANGE WITHOUT NOTICE AT ANY TIME.
3. DIMENSIONS ARE IN INCHES [mm].

REV. A

FSCM NO. 53919

CAD FILE 020612

SCALE N/A

SIZE A

2233



PASTERNAK®
Pasternack Enterprises, Inc.
P.O. Box 16759 | Irvine | CA | 92623
Phone: (949) 261-1920 | Fax: (949) 261-7451
Website: www.pasternack.com | E-Mail: sales@pasternack.com