



# 10 dB Fixed Attenuator, 75 Ohm F Male to 75 Ohm F Female Brass Tri-Metal Body Rated to 2 Watts Up to 3 GHz

## RF Fixed Attenuators Technical Data Sheet

PE7396-10

### Features

- DC to 3 GHz Frequency Range
- Attenuation 10±0.5 dB
- Max Power 2 Watts (CW)
- VSWR < 1.3:1

### Applications

- Instrumentation
- Precision measurements
- Prototyping and characterization
- Production systems

### Description

Pasternack carries a wide range of fixed attenuators with a broad selection of attenuation levels, frequency ranges, and power dissipation ranges. RF microwave attenuators (also known as RF pads) lower the amplitude of a signal (attenuate) a known amount and can be used in a wide variety of applications. These attenuator pads are used when a signal needs to be reduced to protect measurement equipment or other circuitry, to extend the range of power meters and amplifiers, and to impedance match circuits by reducing the VSWR seen by adjacent components. RF attenuators can prevent signal overload in amplifiers, receivers and detectors, adjusting the signal level to a range that is optimal.

Few RF components are as commonly used as fixed coaxial attenuators, and Pasternack carries one of the largest in-stock varieties and ships them same day. The 10 dB Fixed Attenuator PE7396-10 is rated to 2 Watts and operates from DC to 3 GHz. The versatile coaxial package uses F male to F female connectors and is also REACH and RoHS compliant.

### Electrical Specifications

Description	Minimum	Typical	Maximum	Units
Frequency Range	DC		3	GHz
Impedance		75		Ohms
Nominal Attenuation		10		dB
VSWR			1.3:1	
Input Power, CW			2	Watts

### Specifications by Frequency

Description	F1	F2	F3	F4	F5	Units
Range	DC to 2	2 to 3				GHz
Attenuation Accuracy, Typ	±0.3	±0.5				dB

Click the following link (or enter part number in "SEARCH" on website) to obtain additional part information including price, inventory and certifications: [10 dB Fixed Attenuator, 75 Ohm F Male to 75 Ohm F Female Brass Tri-Metal Body Rated to 2 Watts Up to 3 GHz PE7396-10](#)



10 dB Fixed Attenuator, 75 Ohm F Male to 75 Ohm F Female  
Brass Tri-Metal Body Rated to 2 Watts Up to 3 GHz

## RF Fixed Attenuators Technical Data Sheet

PE7396-10

### Mechanical Specifications

#### Size

Length	2.02 in [51.31 mm]
Width/Diameter	0.43 in [10.92 mm]
Weight	0.06 lbs [27.22 g]
Body Material and Plating	Brass, Tri-Metal

#### Configuration

Design	Fixed
Package Style	Connectorized Module

#### Connectors

Description	Connector 1	Connector 2
Type	F Male	F Female
Contact Material and Plating	Brass, Gold	Phosphor Bronze, Gold
Contact Plating Specification	4μ-inch min.	4μ-inch min.
Dielectric Type	Teflon	Teflon
Coupling Nut Material and Plating	Brass, Tri-Metal	
Hex Size	7/16 in.	
Body Material and Plating	Brass, Tri-Metal	Brass, Tri-Metal
Body Plating Specification	100μ-inch min.	100μ-inch min.

### Environmental Specifications

#### Temperature

Operating Range	-55 to +80 deg C
-----------------	------------------

### Compliance Certifications (visit [www.Pasternack.com](http://www.Pasternack.com) for current document)

RoHS Compliant	
REACH Compliant	12/17/2015

### Plotted and Other Data

Notes:

Click the following link (or enter part number in "SEARCH" on website) to obtain additional part information including price, inventory and certifications: [10 dB Fixed Attenuator, 75 Ohm F Male to 75 Ohm F Female Brass Tri-Metal Body Rated to 2 Watts Up to 3 GHz PE7396-10](#)



10 dB Fixed Attenuator, 75 Ohm F Male to 75 Ohm F Female  
Brass Tri-Metal Body Rated to 2 Watts Up to 3 GHz

## RF Fixed Attenuators Technical Data Sheet

PE7396-10

10 dB Fixed Attenuator, 75 Ohm F Male to 75 Ohm F Female Brass Tri-Metal Body Rated to 2 Watts Up to 3 GHz from Pasternack Enterprises has same day shipment for domestic and International orders. Our RF, microwave and millimeter wave products maintain a 99% availability and are part of the broadest selection in the industry.

Click the following link (or enter part number in "SEARCH" on website) to obtain additional part information including price, inventory and certifications: [10 dB Fixed Attenuator, 75 Ohm F Male to 75 Ohm F Female Brass Tri-Metal Body Rated to 2 Watts Up to 3 GHz PE7396-10](http://www.pasternack.com/10db-fixed-f-male-f-female-2-watts-attenuator-pe7396-10-p.aspx)

URL: <http://www.pasternack.com/10db-fixed-f-male-f-female-2-watts-attenuator-pe7396-10-p.aspx>

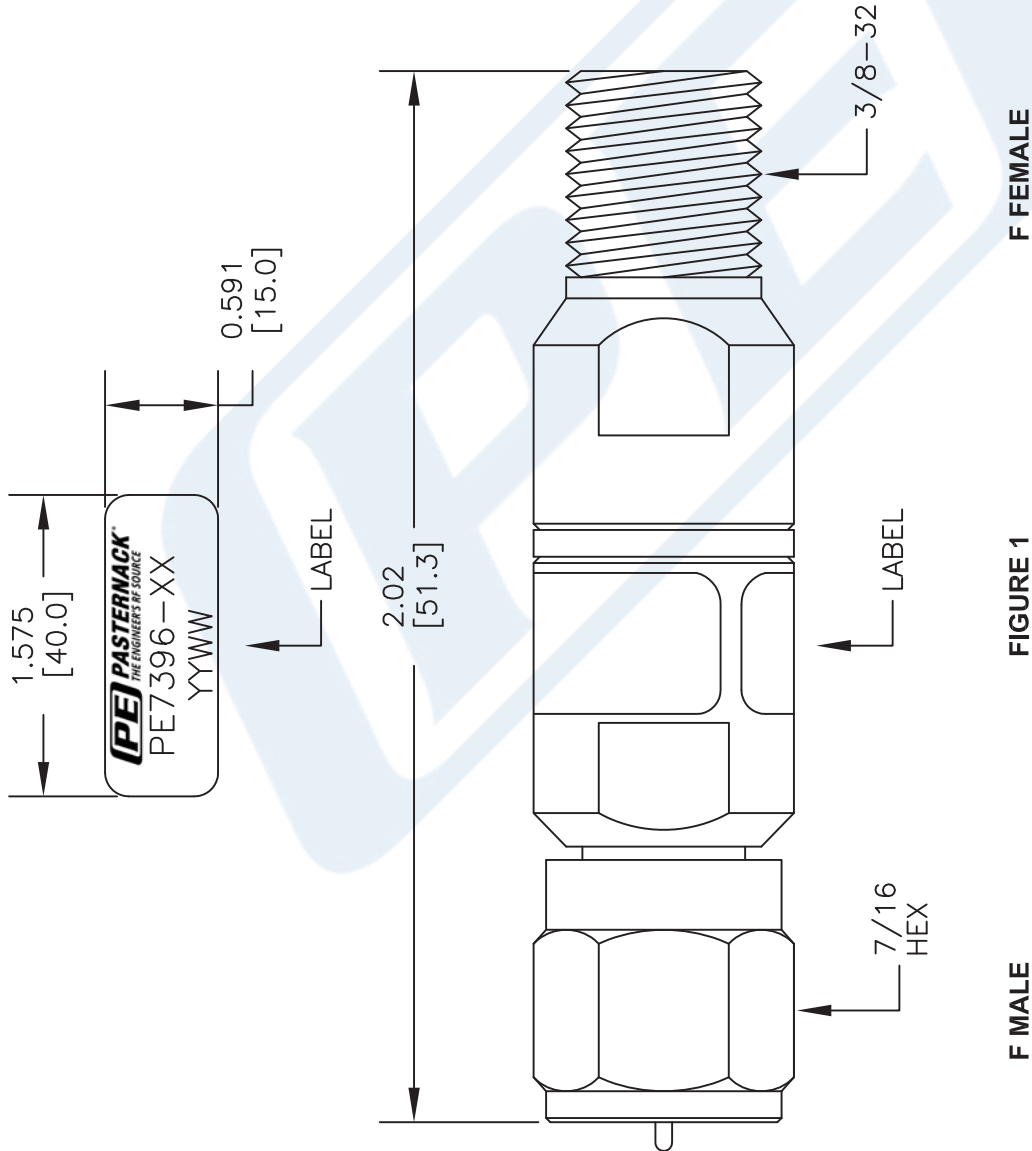
# PE7396-10 CAD Drawing

10 dB Fixed Attenuator, 75 Ohm F Male to 75 Ohm F Female  
Brass Tri-Metal Body Rated to 2 Watts Up to 3 GHz

P/N	ATTEN.	FIGURE
PE7396-1	1 dB	1
PE7396-2	2 dB	1
PE7396-3	3 dB	1
PE7396-4	4 dB	1
PE7396-5	5 dB	1
PE7396-6	6 dB	1
PE7396-7	7 dB	1
PE7396-8	8 dB	1
PE7396-9	9 dB	1
PE7396-10	10 dB	1
PE7396-16	16 dB	1
PE7396-20	20 dB	1

GENERAL TOLERANCES	
0.000-0.197	±0.0020
0.197-0.394	±0.0027
0.394-0.787	±0.0039
0.787-1.181	±0.0059
>1.181	±0.078

\*STANDARD TOLERANCES APPLY ONLY TO DIMENSIONS IN INCHES



DWG TITLE

**PE7396**

NOTES:  
1. UNLESS OTHERWISE SPECIFIED ALL DIMENSIONS ARE NOMINAL.  
2. ALL SPECIFICATIONS ARE SUBJECT TO CHANGE WITHOUT NOTICE AT ANY TIME.  
3. DIMENSIONS ARE IN INCHES [mm].

FSCM NO. 53919

CAD FILE 030116

SCALE N/A

SIZE A

3045

**PE PASTERNAK**  
THE ENGINEERS' RF SOURCE  
Pasternack Enterprises, Inc.  
P.O. Box 16759 | Irvine | CA | 92623

Phone: (949) 261-1920 | Fax: (949) 261-7451

Website: www.pasternack.com | E-Mail: sales@pasternack.com