



Type N F/F In/Out Coax RF Surge Protector, 100MHz - 512MHz,  
 DC Block, 750W, IP67, 20kA, Filter, Bracket Toward Body

## RF Surge Protectors Technical Data Sheet

PE73SP1033

### Features

- Surge current of 20kA
- Max Power 750W
- Frequency range from 100 MHz to 512 MHz VHF Band
- N Female to N Female connectors
- VSWR 1.1:1
- Waterproof IP67 rated
- DC Block
- Multi-strike capability
- CE & RoHS compliant

### Applications

- Emergency response systems
- Public safety systems

### Description

RF surge protector (also known as lightning arrester) PE73SP1033 from Pasternack utilizing a patented filter surge protection technology acts as a high-band filter shunting surge energy to ground to protect critical hardware while maintaining the RF performance. This RF surge protector component is manufactured in a coaxial in-line design with wide operating frequency range. All Pasternack RF surge protector products are available in stock with same day shipping.

### Electrical Specifications

Surge Protector Type  
 DC Handling

Surge Filter  
 DC Block

Description	Minimum	Typical	Maximum	Units
Frequency Range	100		512	MHz
Impedance		50		Ohms
VSWR			1.1:1	
Return Loss			26	dB
Insertion Loss			0.1	dB
Input Power, CW			750	Watts
Surge Current IEC 61000-4-5 8/20µs WAVEFORM			20,000	Amps
Throughput Energy FOR 3kA, 8/20µs WAVEFORM			0.5	µJ

### Mechanical Specifications

Click the following link (or enter part number in "SEARCH" on website) to obtain additional part information including price, inventory and certifications: [Type N F/F In/Out Coax RF Surge Protector, 100MHz - 512MHz, DC Block, 750W, IP67, 20kA, Filter, Bracket Toward Body PE73SP1033](#)



Type N F/F In/Out Coax RF Surge Protector, 100MHz - 512MHz,  
DC Block, 750W, IP67, 20kA, Filter, Bracket Toward Body

## RF Surge Protectors Technical Data Sheet

PE73SP1033

### Configuration

Input Connector	N Female
Output Connector	N Female

### Environmental Specifications

#### Temperature

Operating Range -50 to 85 deg C

Ingress Protection (IP) Rating IP 67

**Compliance Certifications** (see [product page](#) for current document)

### Plotted and Other Data

Notes:

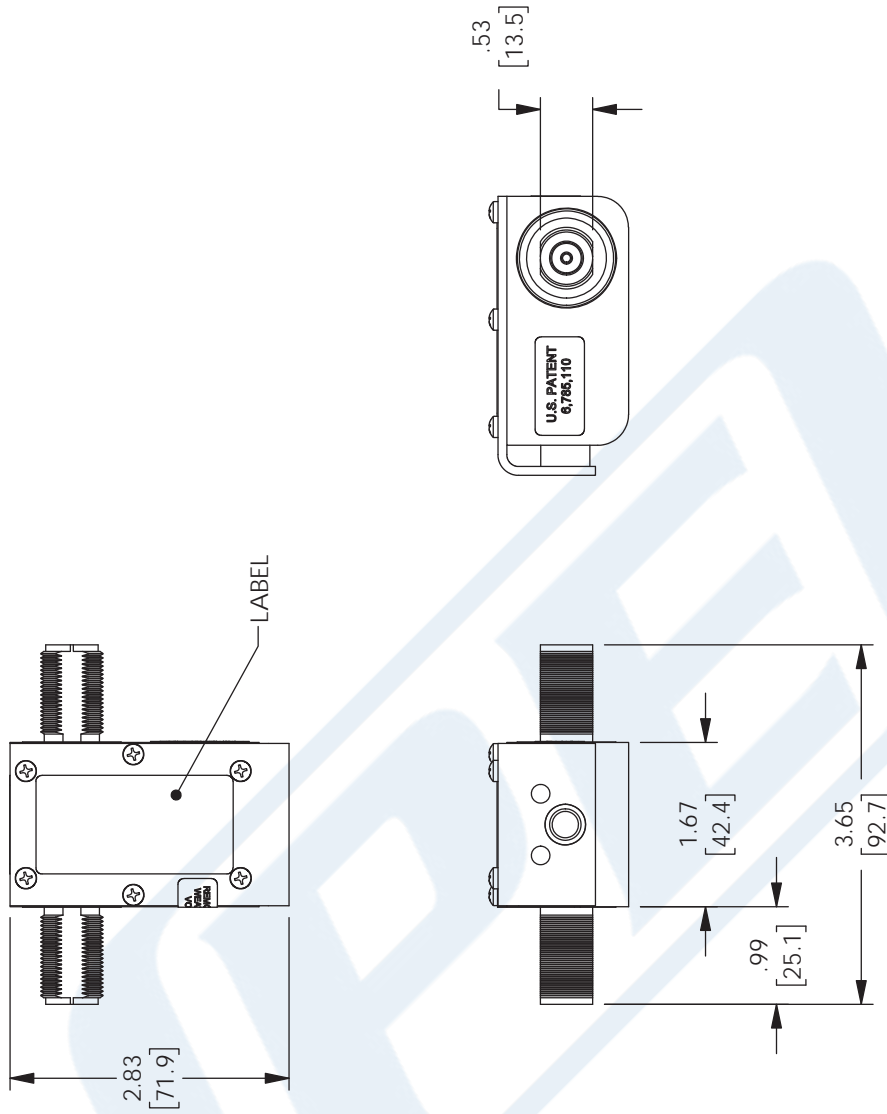
Type N F/F In/Out Coax RF Surge Protector, 100MHz - 512MHz, DC Block, 750W, IP67, 20kA, Filter, Bracket Toward Body from Pasternack Enterprises has same day shipment for domestic and International orders. Our RF, microwave and millimeter wave products maintain a 99.4% availability and are part of the broadest selection in the industry.

Click the following link (or enter part number in "SEARCH" on website) to obtain additional part information including price, inventory and certifications: [Type N F/F In/Out Coax RF Surge Protector, 100MHz - 512MHz, DC Block, 750W, IP67, 20kA, Filter, Bracket Toward Body PE73SP1033](#)

URL: <https://www.pasternack.com/type-n-surge-protector-512mhz-filter-pe73sp1033-p.aspx>

# PE73SP1033 CAD Drawing

Type N F/F In/Out Coax RF Surge Protector, 100MHz - 512MHz,  
DC Block, 750W, IP67, 20kA, Filter, Bracket Toward Body



**NOTES:**

HARDWARE INCLUDED.

**REGULATORY COMPLIANCE:**

CE2011/65/EU(RoHS DIRECTIVE)

**STANDARD TOLERANCES**

- .X ±0.2
- .XX ±0.01
- .XXX ±0.005

\*STANDARD TOLERANCES APPLY ONLY TO DIMENSIONS IN INCHES



Pasternack Enterprises, Inc.  
P.O. Box 16759 | Irvine | CA | 92623  
Phone: (949) 261-1920 | Fax: (949) 261-7451  
Website: www.pasternack.com | E-Mail: sales@pasternack.com

DWG TITLE

PE73SP1033

CAGE CODE 53919

NOTES:  
1. UNLESS OTHERWISE SPECIFIED ALL DIMENSIONS ARE NOMINAL.  
2. ALL SPECIFICATIONS ARE SUBJECT TO CHANGE WITHOUT NOTICE AT ANY TIME  
3. DIMENSIONS ARE IN INCHES [mm].

CAD FILE 3/23/18

SCALE N/A

SIZE A

256