



6 dB Fixed Attenuator, TNC Female To TNC Female Directional Black Aluminum Heatsink Body Rated To 300 Watts Up To 3 GHz

TECHNICAL DATA SHEET

PE7415-6

Pasternack Enterprises' line of 300W Attenuators operate from DC to 3 GHz, and are available in 16 different 7/16 DIN, N, SMA and TNC in-series combinations. Our 300W Attenuators are manufactured with Passivated Stainless Steel SMA, TNC and N connectors, and Silver Plated Brass 7/16 DIN connectors. Pasternack 300W Attenuators come in 3 dB, 6 dB, 10 dB, 20 dB, 30 dB, 40 dB, & 50 dB values and will operate from -55 to +125 degrees C. Additional between-series connector combinations are available upon request.

- 300W average power and 2,500W peak power handling capability
- Operates to 3 GHz
- Temperature range of -55 to +125 degrees C
- 16 in-series combinations
- 7/16 DIN, SMA, N, TNC Male and Female connectors are available
- Other connector combinations available upon request

Configuration

| | |
|---------------------------|-------------------------------|
| Design | Fixed, Directional Attenuator |
| Connector 1 | TNC Female |
| Connector 2 | TNC Female |
| Body Material and Plating | Black Aluminum Heatsink |

Electrical Specifications * Values at 25°C, sea level

| Description | Minimum | Typical | Maximum | Units |
|--------------------|-----------------------------|---------|---------|--------|
| Frequency Range | DC | | 3 | GHz |
| Impedance | | 50 | | Ohms |
| Attenuation Value | | 6 | | dB |
| Accuracy Statement | Attenuation accuracy it +/- | | | |
| Input Power | | | 300 | Watts |
| Peak Power | | | 2.5 | KWatts |
| VSWR | | | 1.4:1 | |

Specifications by Frequency

| Description | F1 | F2 | F3 | F4 | F5 | Units |
|----------------------|-----------|----------|----|----|----|-------|
| Range | DC to 1.5 | 1.5 to 3 | | | | GHz |
| VSWR | 1.2:1 | 1.4:1 | | | | |
| Attenuation Accuracy | ± 0.75 | ± 1 | | | | dB |

Mechanical Specifications

Temperature

Operating Range -55 to +125 deg C

Click the following link (or enter part number in "SEARCH" on website) to obtain additional part information including price, inventory and certifications: [6 dB Fixed Attenuator, TNC Female To TNC Female Directional Black Aluminum Heatsink Body Rated To 300 Watts Up To 3 GHz PE7415-6](#)



6 dB Fixed Attenuator, TNC Female To TNC Female Directional
Black Aluminum Heatsink Body Rated To 300 Watts Up To 3 GHz

TECHNICAL DATA SHEET PE7415-6

Size

| | |
|--------|--------------------|
| Length | 5.6 in [142.24 mm] |
| Width | 6.2 in [157.48 mm] |
| Height | 6.3 in [160.02 mm] |
| Weight | 4 lbs [1.81 Kg] |

Connectors

| Description | Connector 1 | Connector 2 |
|--------------------------------------|----------------------------|----------------------------|
| Type | TNC Female | TNC Female |
| Contact Material and Plating | Beryllium Copper, Gold | Beryllium Copper, Gold |
| Outer Conductor Material and Plating | Passivated Stainless Steel | Passivated Stainless Steel |
| Body Material and Plating | Passivated Stainless Steel | Passivated Stainless Steel |

Compliance Certifications (visit www.Pasternack.com for current document)

RoHS Compliant

Plotted and Other Data

Notes:

- Values at 25 °C, sea level
- Calculated Heatsink Thermal Rise: .7C / Watt

Click the following link (or enter part number in "SEARCH" on website) to obtain additional part information including price, inventory and certifications: [6 dB Fixed Attenuator, TNC Female To TNC Female Directional Black Aluminum Heatsink Body Rated To 300 Watts Up To 3 GHz PE7415-6](#)

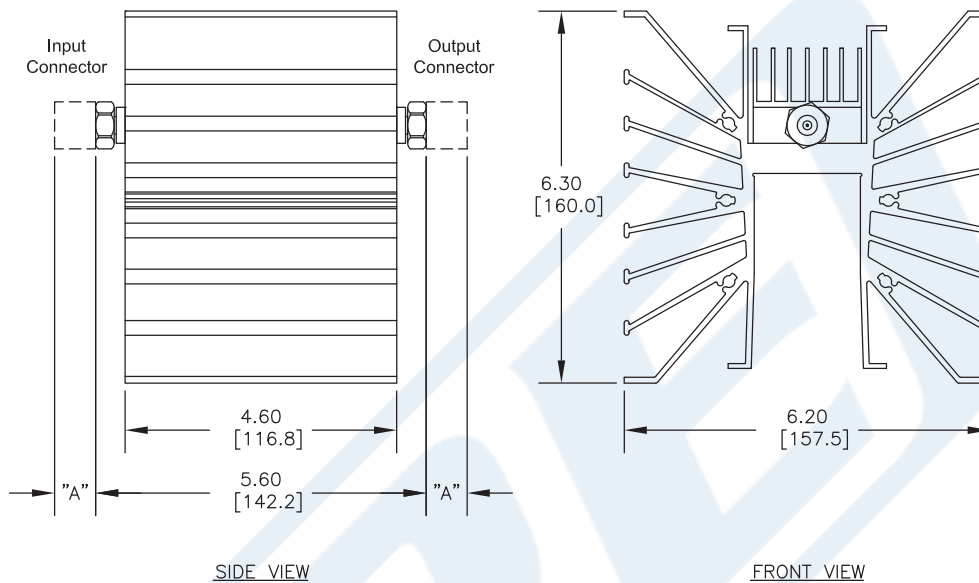


6 dB Fixed Attenuator, TNC Female To TNC Female Directional
Black Aluminum Heatsink Body Rated To 300 Watts Up To 3 GHz

TECHNICAL DATA SHEET

PE7415-6

Outline Drawing



| Part Number Configuration | | |
|---------------------------|-----------------------------|------------------|
| xx | Input Connector | Output Connector |
| 05 | SMA Male | SMA Male |
| 06 | SMA Male | SMA Female |
| 07 | SMA Female | SMA Female |
| 08 | SMA Female | SMA Male |
| 09 | N Male | N Male |
| 10 | N Male | N Female |
| 11 | N Female | N Female |
| 12 | N Female | N Male |
| 13 | TNC Male | TNC Male |
| 14 | TNC Male | TNC Female |
| 15 | TNC Female | TNC Female |
| 16 | TNC Female | TNC Male |
| 17 | 7/16 Male | 7/16 Male |
| 18 | 7/16 Male | 7/16 Female |
| 19 | 7/16 Female | 7/16 Female |
| 20 | 7/16 Female | 7/16 Male |
| -yy | Indicates Attenuation Level | |

| Table of Information | | |
|----------------------|----------------|--|
| Connector Type | Dim "A" (Ref.) | |
| SMA Male | 0.88 | |
| SMA Female | 0.73 | |
| TNC Male | 1.06 | |
| TNC Female | 1.16 | |
| N Female | 1.19 | |
| N Male | 1.23 | |
| 7/16 Male | 1.38 | |
| 7/16 Female | 1.42 | |

6 dB Fixed Attenuator, TNC Female To TNC Female Directional Black Aluminum Heatsink Body Rated To 300 Watts Up To 3 GHz from Pasternack Enterprises has same day shipment for domestic and International orders. Our RF, microwave and millimeter wave products maintain a 99% availability and are part of the broadest selection in the industry.

Click the following link (or enter part number in "SEARCH" on website) to obtain additional part information including price, inventory and certifications: [6 dB Fixed Attenuator, TNC Female To TNC Female Directional Black Aluminum Heatsink Body Rated To 300 Watts Up To 3 GHz PE7415-6](http://www.pasternack.com/6db-fixed-tn-c-female-tn-c-female-300-watts-attenuator-pe7415-6-p.aspx)

URL: <http://www.pasternack.com/6db-fixed-tn-c-female-tn-c-female-300-watts-attenuator-pe7415-6-p.aspx>