

Zero Biased Detector With 50 Ohm BNC Male to BNC Female Video Out Operating From 0.1 MHz to 1,000 MHz

**TECHNICAL DATA SHEET**

**PE8000-50**

**Zero Biased Detector With 50 Ohm BNC Male to BNC Female Video Out Operating From 0.1 MHz to 1,000 MHz**

**Configuration**

Bias Type	Zero Biased Detector
Detector Polarity	Positive
Body Style	Straight
RF Input Connector	BNC Male
RF Input Impedance	50 Ohms
Video Output Connector	BNC Female

**Electrical Specifications**

Frequency Range, MHz	0.1 to 1,000
Voltage Sensitivity, mV/mW	100
Tangential Signal Sensitivity	-40
Maximum VSWR	1.2:1
Flatness, dB	± 0.4
Maximum Input Power, dBm	+20
Video Capacitance, pF	1,000

**Mechanical Specifications**

**Temperature**

Operating Range, deg C	-20 to +85
------------------------	------------

**Size**

Length, in [mm]	1.935 [49.15]
Width/Dia., in [mm]	0.575 [14.61]

**RF Input**

Type	BNC Male
------	----------

**Video Output**

Type	BNC Female
------	------------

Click the following link (or enter part number in "SEARCH" on website) to obtain additional part information including price, inventory and certifications: [Zero Biased Detector With 50 Ohm BNC Male to BNC Female Video Out Operating From 0.1 MHz to 1,000 MHz PE8000-50](#)

The information contained in this document is accurate to the best of our knowledge and representative of the part described herein. It may be necessary to make modifications to the part and/or the documentation of the part, in order to implement improvements. Pasternack reserves the right to make such changes as required. Unless otherwise stated, all specifications are nominal.



Zero Biased Detector With 50 Ohm BNC Male to BNC  
Female Video Out Operating From 0.1 MHz to 1,000 MHz

**TECHNICAL DATA SHEET**

**PE8000-50**

**Compliance Certifications** (visit [www.Pasternack.com](http://www.Pasternack.com) for current document)

**Plotted and Other Data**

Notes:

Values at 25 °C, sea level

For -10dbm power level minimum output of 30mv; 0db  
min output of 175mV.

Zero Biased Detector With 50 Ohm BNC Male to BNC Female Video Out Operating From 0.1 MHz to 1,000 MHz from Pasternack Enterprises has same day shipment for domestic and International orders. Our RF, microwave and fiber optic products maintain a 99% availability and are part of the broadest selection in the industry.

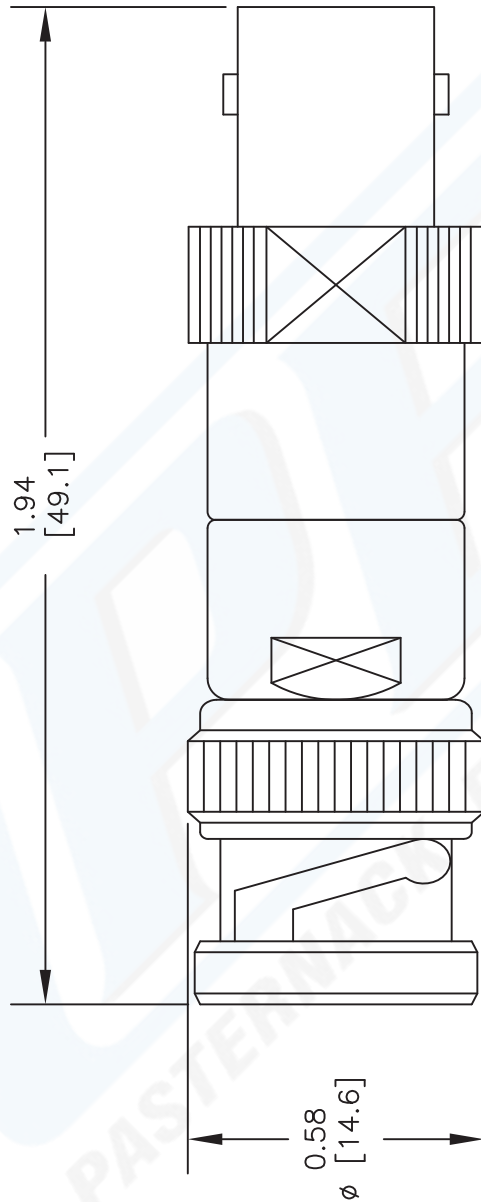
Click the following link (or enter part number in "SEARCH" on website) to obtain additional part information including price, inventory and certifications: [Zero Biased Detector With 50 Ohm BNC Male to BNC Female Video Out Operating From 0.1 MHz to 1,000 MHz PE8000-50](http://www.pasternack.com/50-ohm-bnc-zero-biased-detector-positive-0.1-mhz-1000-mhz-pe8000-50-p.aspx)

URL: <http://www.pasternack.com/50-ohm-bnc-zero-biased-detector-positive-0.1-mhz-1000-mhz-pe8000-50-p.aspx>

The information contained in this document is accurate to the best of our knowledge and representative of the part described herein. It may be necessary to make modifications to the part and/or the documentation of the part, in order to implement improvements. Pasternack reserves the right to make such changes as required. Unless otherwise stated, all specifications are nominal.

# PE8000-50 CAD Drawing

Zero Biased Detector With 50 Ohm BNC Male to BNC Female  
Video Out Operating From 0.1 MHz to 1,000 MHz



#### NOTES:

1. UNLESS OTHERWISE SPECIFIED ALL DIMENSIONS ARE NOMINAL.
2. ALL SPECIFICATIONS ARE SUBJECT TO CHANGE WITHOUT NOTICE AT ANY TIME.
3. DIMENSIONS ARE IN INCHES [mm].

#### DWG TITLE

**PE8000-50**

**PASTERNAK ENTERPRISES, INC.**

P.O. BOX 16759, IRVINE, CA 92623  
PHONE (949) 261-1920 FAX (949) 261-7451

WEB ADDRESS: [www.pasternack.com](http://www.pasternack.com)  
E-MAIL ADDRESS: [sales@pasternack.com](mailto:sales@pasternack.com)

**COAXIAL & FIBER OPTICS**



ESTABLISHED 1972

2233

SIZE A

SCALE N/A

CAD FILE 031912

FSCM NO. 53919

REV. D